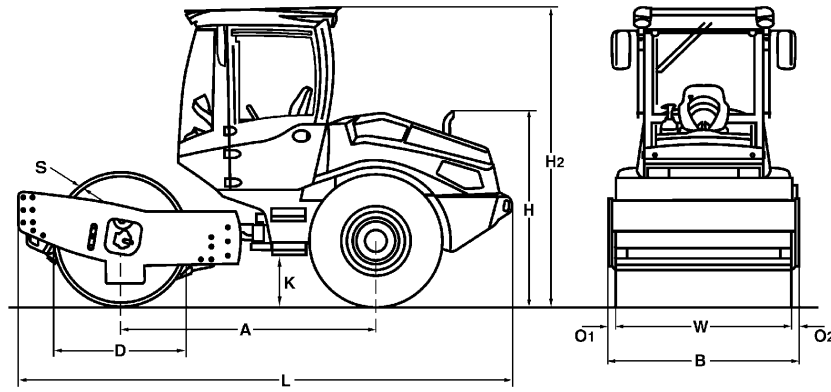


# TECHNICAL DATA

SINGLE DRUM ROLLER

BW 177 BVO-5 PL





**Dimensions in inch**

	<b>A</b>	<b>B</b>	<b>D</b>	<b>H</b>	<b>H2</b>	<b>K</b>	<b>L</b>	<b>O1</b>	<b>O2</b>	<b>S</b>	<b>W</b>
<b>BW 177 BVO-5 PL</b>	92.5	71.7	48.4	68.9	110.2	15.0	179.1	2.6	2.6	0.79	66.5

**Shipping dimensions in cub.yd**

**BW 177 BVO-5 PL**

**without ROPS**

18.961

**with ROPS**

30.326

<b>Machine type</b>	<b>Compaction output (cub.yd/h)</b>			
	<b>Rock fill</b>	<b>Gravel, sand</b>	<b>Mixed soil</b>	<b>Silt, clay</b>
BW 177 BVO-5 PL	483.9-967.9	313.9-627.8	248.5-497.0	124.3-248.5

<b>Machine type</b>	<b>Compacted layer thickness (in)</b>			
	<b>Rock fill</b>	<b>Gravel, sand</b>	<b>Mixed soil</b>	<b>Silt, clay</b>
BW 177 BVO-5 PL	31.5	19.7	15.7	7.9

## Technical Data

## BOMAG BW 177 BVO-5 PL

### Weights

Grossweight .....	lb	17,637
Operating weight CECE w. ROPS-cabin .....	lb	15,432
Axle load, drum CECE .....	lb	9,370
Axle load, wheels CECE .....	lb	6,063
Static linear load CECE .....	lb/in	140.8

### Dimensions

Working width .....	in	66.5
Track radius, inner .....	in	117.1

### Driving Characteristics

Speed (1) .....	mph	0-10
Max. gradeability without/with vibr. ....	%	60/57

### Drive

Engine manufacturer .....		Kubota
Engine type .....		V3307
Emission stage .....		Stage V / TIER4f
Exhaust gas aftertreatment .....		DOC+DPF
Cooling .....		water
Number of cylinders .....		4
Performance ISO 3046 .....	hp	74.3
Performance SAE J 1995 .....	hp	75.0
Speed .....	rpm	2,400
Fuel .....		Diesel
Electric equipment .....	V	12
Drive system .....		hydrost.
Drum driven .....		standard

### Drums and Tyres

Tyre size .....		14.9-24/8PR
-----------------	--	-------------

### Brakes

Service brake .....		hydrost.
Parking brake .....		hydromec.

### Steering

Steering system .....		oscil.artic.
Steering method .....		hydrost.
Steering / oscillating angle +/- .....	deg	35/12.0

### Exciter system

Drive system .....		hydrost.
Frequency (1) .....	vpm	28
Amplitude (1) .....	in	0.087
Amplitude (2) .....	in	0.032
Centrifugal force .....	lb	150.00/55.00
Centrifugal force .....	t	15.3/5.6
Oscillation .....		
O. Amplitude 1 .....	in	0.087

### Capacities

Fuel .....	gal	29.1
------------	-----	------

Technical modifications reserved. Machines may be shown with options.

### Standard Equipment

- BOMAG ECOMODE
- Oscillation mode
- Double pump system for travel drive
- Self locking differential
- Rear axle with twin spring accumulator brakes
- Hydrostatic travel and vibration drive
- Hydrostatic articulated steering
- Articulated joint lock
- Warning, information and operation displays
- Reversing alarm buzzer with broad band audio
- Single lever control for travel and vibration
- Back-up warning system
- 2 Contact scrapers Plastic
- BOMAG TELEMATIC

### Optional Equipment

- ROPS cabin with seat belts
- Air condition
- Sliding window
- Radio (DAB)
- Adjustable steering column
- BOMAG ECOSTOP
- Rotary beacon
- Indicator and hazard lights
- Padfoot segment kit
- Special painting
- Environmentally compliant hydraulic oil
- Rearview camera
- Tractor tires
- Measuring- and machine data interface for third-party suppliers
- LED Working lights (Cabin)
- Radio remote control
- 360° Camera system
- TERRAMETER

