

+ SERVICE SOLUTIONS

BOMAG
FAYAT GROUP

PROMOTIONAL BENEFITS

01.12.2024
31.03.2025




WINTER PROMOTION.

FOR MORE UPTIME AND SUCCESS.

ALL BOMAG LIGHT EQUIPMENT SERVICE KITS.

10% Promotional discount (part numbers with prod.hier ending KE)

 Buy 2 light equipment service kits and get a BOMAG buff or lanyard free.



 Buy 2 light equipment service kits and get a BOMAG buff or lanyard free.





WINTER PROMOTION.

FOR MORE UPTIME AND SUCCESS.

ALL BOMAG HEAVY EQUIPMENT SERVICE KITS.

10% Promotional discount (part numbers with prod.hier ending KE)



10%
Promotional
discount




 Buy an oil service kit and get a BOMAG buff free.



 Buy a 1000 h service kit and get a BOMAG beanie free.

10%
Promotional
discount



 Buy a 1000 h service kit and get a BOMAG beanie free.





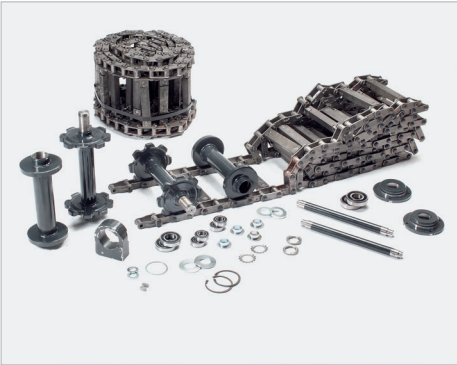
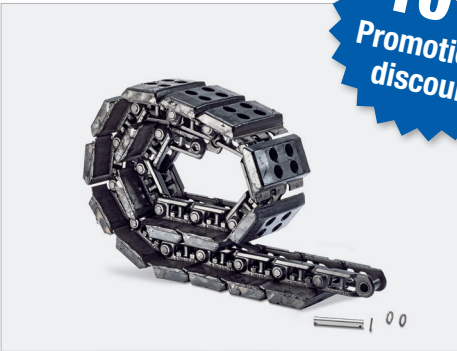
WINTER PROMOTION.

FOR MORE UPTIME AND SUCCESS.

ALL BOMAG WEAR PART KITS.

10% Promotional discount (part numbers with prod.hier ending KF)

10%
Promotional
discount





WINTER PROMOTION.

FOR MORE UPTIME AND SUCCESS.

OPERATOR WATER SPRAY KITS

10% Promotional discount for listed part numbers (P/N)



Buy a water spray kit (operator) and get a BOMAG bottle opener free.

P/N	DESCRIPTION	USED IN (EXAMPLES)
462 010 00	OPERATOR WATER SPRAY KIT	BW 80 - 135
921 015 02	OPERATOR WATER SPRAY KIT	from BW 138

WATER PUMPS

10% Promotional discount for listed part numbers (P/N)



P/N	DESCRIPTION	USED IN (EXAMPLES)
057 943 12	Water pump	BW 80 - BW 138-5 BW 154/174 ACP-4
057 940 38	Water pump	BW 135
057 941 83	Water pump	BW 154/174 AP-4 BW 161/202-4
057 941 82	Water pump	BW 141 - BW 206 -5 BW 174 AP / ACP-4f
538 020 58	Water pump (Repair Set)	BW 24 - BW 28

TYRES



Buy 2 tyres and get a BOMAG single drum roller model free.

DESCRIPTION	BRAND	USED IN (examples)	P/N
TYRE 12.5-20 12PR	BOMAG	BW 145	067 045 16
TYRE 14.9-24 8PR	BOMAG	BW 177	067 041 23
TYRE 23.1-26 12PR	BOMAG	BW 211 - 219	067 041 02
TRACTOR TYRE 12.4-24 8PR	BOMAG	BW 145	067 045 15
TRACTOR TYRE 14.9-24 8PR	BOMAG	BW 177	067 044 44
TRACTOR TYRE 23.1-26 12PR	BOMAG	BW 213 - 219 PDH	067 041 28





WINTER PROMOTION.

FOR MORE UPTIME AND SUCCESS.

SMOOTH TYRES



10%
Promotional
discount



Buy 4 tyres and get a BOMAG tandem roller model free.



DESCRIPTION	BRAND	USED IN (examples)	P/N
SMOOTH TYRE 175/70 R14 (retreaded)	BOMAG	BW 90 AC-2	067 043 66
SMOOTH TYRE 190/60 R15 (replaced by 067 045 74)	BOMAG	BW 90 AC-5	067 045 46
SMOOTH TYRE 190/60 R15	BOMAG	BW 90 AC-5	067 045 74
SMOOTH TYRE 205/60 R15 (retreaded)	BOMAG	BW 90 - 120	067 041 54
SMOOTH TYRE 205/60 R15 (replaced by 067 045 75)	BOMAG	BW 100 - 120	067 042 70
SMOOTH TYRE 205/60 R15	BOMAG	BW 100 - 120	067 045 75
SMOOTH TYRE 225/75 R16 (retreaded)	BOMAG	BW 125 - 138	067 041 49
SMOOTH TYRE 7.50 R15 x LISSE COMPACTEUR	MICHELIN	BW 12R / BW135 - 138	067 041 77
SMOOTH TYRE 7.50 R15 (replaced by 067 045 73)	BOMAG	BW 11RH	067 045 36
SMOOTH TYRE 7.50 R15	BOMAG	BW 11RH	067 045 73
SMOOTH TYRE 9.5/65 R15 6PR (TL) (replaced by 067 045 76)	BOMAG	BW 120 AC-5	067 045 43
SMOOTH TYRE 9.5/65 R15 6PR (TL)	BOMAG	BW 120 AC-5	067 045 76
SMOOTH TYRE 10.5/80 R16 (replaced by 067 045 77)	BOMAG	BW 138 AC-5	067 045 04
SMOOTH TYRE 10.5/80 R16	BOMAG	BW 138 AC-5	067 045 77
SMOOTH TYRE 11.00-20 16PR COMPACTOR	MITAS	BW144 - BW164 / BW 16	067 041 59
SMOOTH TYRE 11.00-20 18PR (replaced by 067 045 78)	BOMAG	BW 24/27 RH / BW 154/174 ACP	067 045 05
SMOOTH TYRE 11.00-20 18PR	BOMAG	BW 24/27 RH / BW 154/174 ACP	067 045 78
SMOOTH TYRE 11.00-20 18PR COMPACTOR SMOOTH	MITAS	BW 24/27 RH / BW 154/174 ACP	067 041 37
SMOOTH TYRE 11.00-20 157A3 PG 21RC (C-1)	DUNLOP	BW 24/27 RH / BW 154/174 ACP	067 041 48
SMOOTH TYRE 13/80 R20 E20 PILOTE X-LISSE COMPACTEUR	MICHELIN	BW24/27 RH	067 041 79
AIR TUBE FOR 11.00-20 VALVE TYPE 2	div.	BW24/27 RH	067 042 00
AIR TUBE FOR 11.00-20 VALVE TYPE 1	div.	BW154/174 / BW 151/161	067 042 23

SEPARATING AGENTS



**PROMOTIONAL
PRICES**



Buy an IBC or a pallet and get a BOMAG paver model for free.

DESCRIPTION	USED IN (EXAMPLES)	P/N
Separating Agent, 20 l, (concentrate 1:10)	Combi- & Rubber tyred rollers	009 741 00
Separating Agent, 30 x 20 l, (concentrate 1:10)		009 741 00 C30
BITUSEP, 20 l, ready to use	BMF 2500 / BF 200 - BF 900, Combi- & Rubber tyred rollers	009 74 104
BITUSEP, 30 x 20 l, ready to use		009 741 04 C30
BITUSEP, 200 l (barrell), ready to use		009 741 05
BITUSEP, 1000 l (IBC), ready to use		009 741 06






WINTER PROMOTION.

FOR MORE UPTIME AND SUCCESS.

BATTERIES

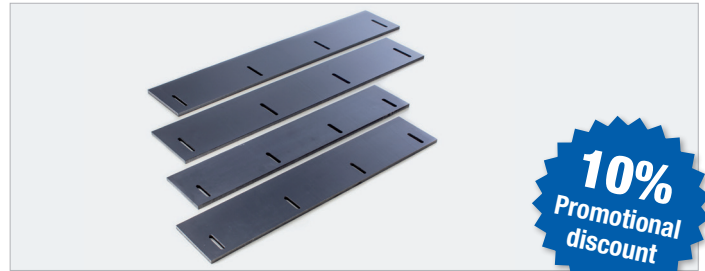
10% Promotional discount for listed part numbers (P/N)



 Buy an battery and get a BOMAG icrescraper free.

SCRAPERS

10% Promotional discount for listed part numbers (P/N)



P/N	DESCRIPTION	USED IN (EXAMPLES)
057 532 34	Battery	BPR 35/42D BPR 35/60D BPR 45/55D BPR 55/65D BPR 60/65D
057 532 36	Battery	BW 62 H - BW 75 S-2
057 532 67	Battery	BPR 65/70 BPR 70/70D BPR 100/80D BMP 851
057 532 37	Battery	BMP 8500
057 532 70	Battery	BW 177 - BW 226-4
057 532 82	Battery (12 V 44 Ah 210 × 175 × 175 mm)	various brands
057 532 30	Battery (12 V 45 Ah 237 × 128 × 221 mm)	various brands
057 532 36	Battery	BW 80 - BW 125
057 532 12	Battery	BW 100 - BW 138 BW 177-5 BW 219-5 - BW 226-5 BM 500 - BM 600
057 532 73	Battery	BW 211 - BW 216-5
057 532 60	Battery	BW 141 - BW 203 AD-4 BW 154 - 174 AP/ACP-4 BW 177 - BW 226-4
057 532 70	Battery	BW 141 - BW 205-4 BW 154 AP / ACP BW 174 AD - 184 AD
057 532 13	Battery	BM 1000/35 - BM 1300/35 RS 460 - RS 650
057 532 11	Battery	BM 2000/75 BC 572-1172
057 532 35	Battery	BF 200 - BF 900 BMF 2500 BW 174 AP4 AM BW 141 - 202 AD-5
408 020 011	Battery	BF 223 BF 600 BF 691

P/N	DESCRIPTION	USED IN (EXAMPLES)
580 302 34	Scraper	BW 177 - BW 179-4
586 103 44	Scraper	BW 177-5
580 302 57	Scraper	BW 211 - BW 226
463 101 25	Scraper	BW 80 AD-5
463 101 43	Scraper	BW 90 AD-5 BW 90 SC-5
880 601 13	Scraper	BW 100 AC-5
463 101 40	Scraper	BW 100 ACM-5 BW 100 SCC-5
463 101 48	Scraper	BW 100 AD-5 BW 100 ADM-5 BW 100 SC-5 BW 100 SCC-5
880 180 02	Scraper	BW 120 AD-4
880 565 03	Scraper	BW 120 AC-5
880 571 01	Scraper	BW 120 AD-4 BW 120 AC-5
650 801 38	Scraper	BW 135 AD-5
650 801 30	Scraper	BW 138 AC-5
650 801 39	Scraper	BW 138 AD/AC-5
841 101 03	Scraper	BW 141 AD-4 (AM) BW 154 AP-4 (AM) BW 154 ACP-4 (AM)
842 301 07	Scraper	BW 151/154/161 AD-4 BW 154 ACP-4 (AM) BW 174 AP-4 (AM)
876 110 92	Scraper	BW 154 ACP-4
920 174 06	Scraper	BW 151/161 AC-4 (AM)
921 108 58	Scraper	BW 151 - BW 161 AC-5
920 176 08	Scraper	BW 190 AD-4 (AM)
413 009 04	Scraper	BW 202/203/205 AD-4

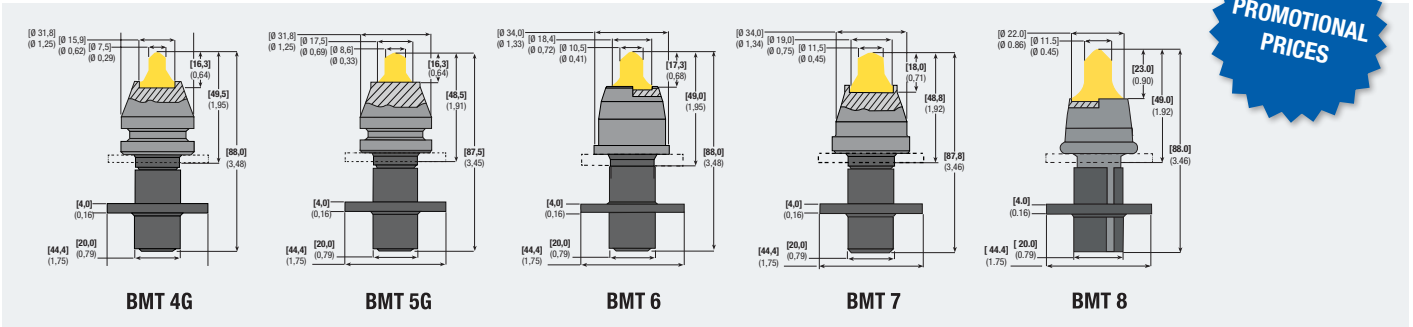




WINTER PROMOTION.

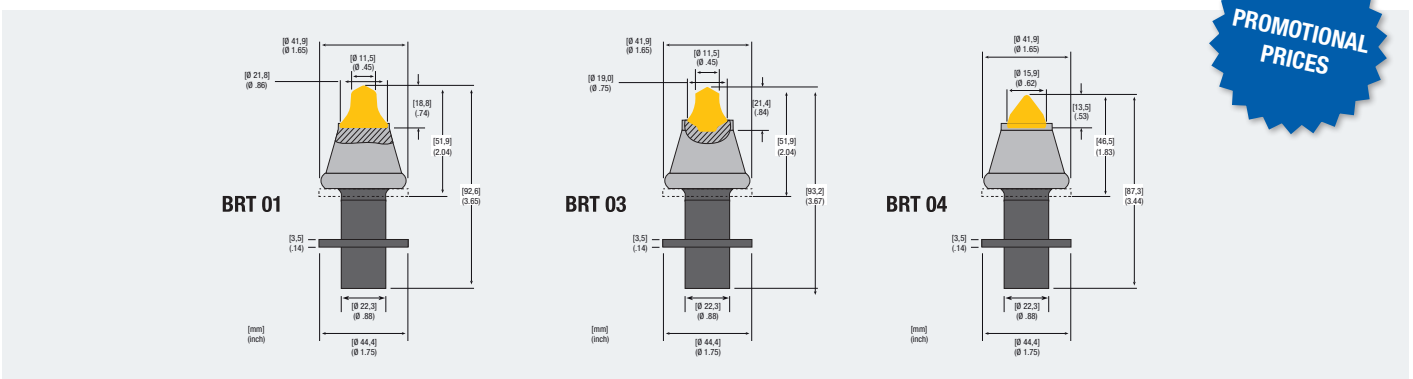
FOR MORE UPTIME AND SUCCESS.

BOMAG 20 MM MILLING TOOLS FOR COLD MILLING



P/N	DESCRIPTION	USED IN (EXAMPLES)
300 262 04 C50	BMT 4G (50 × pcs) Box	BM 500/15 - 600/15
300 262 04 C3200	BMT 4G (3200 × pcs) pallet	BM 500/15 - 600/15
300 262 05 C50	BMT 5G (50 × pcs) Box	BM 500/15 - 600/15
300 262 05 C3200	BMT 5G (3200 × pcs) pallet	BM 500/15 - 600/15
300 262 06 C50	BMT 6 (50 × pcs) Box	BM 1000/35 - 1300/35
300 262 06 C3200	BMT 6 (3200 × pcs) pallet	BM 1000/35 - 1300/35
300 262 07 C50	BMT 7 (50 × pcs) Box	BM 2000/60/65/75
300 262 07 C3200	BMT 7 (3200 × pcs) pallet	BM 2000/60/65/75
300 262 08 C50	BMT 8 (50 × pcs) Box	BM 2000/60/65/75
300 262 08 C3200	BMT 8 (3200 × pcs) pallet	BM 2000/60/65/75

BOMAG 22 MM MILLING TOOLS FOR RECYCLERS & STABILIZERS



P/N	DESCRIPTION	USED IN (EXAMPLES)
300 263 01 C40	BRT 01 (40 × pcs) Box	all machines with 22 mm tool holder
300 263 01 C2400	BRT 01 (2400 × pcs) pallet	
300 263 03 C40	BRT 03 (40 × pcs) Box	
300 263 03 C2400	BRT 03 (2400 × pcs) pallet	
300 263 04 C40	BRT 04 (40 × pcs) Box	FOR STABILIZATION
300 263 04 C2400	BRT 04 (2400 × pcs) pallet	

BOMAG ALL-ROUNDER
FOR COLD RECYCLING & STABILIZATION





WINTER PROMOTION. FOR MORE UPTIME AND SUCCESS.



ARRIVAL - BOMAG FILTER KITS

Two options, one goal: Meet the Little Brother (Filter Kit) of our legendary Champion (Service Kit).



10%
Promotional
discount



BENEFITS + BENEFITS + BENEFITS + BENEFITS + BENEFITS + BENEFITS + BENEFITS + BENEFITS + BENEFITS + BENEFITS

- + High-quality filters for long-lasting performance
- + Only tested and approved materials
- + Optimum protection for engine and hydraulic components
- + Price advantage (kit price)
- + Always state-of-the-art by product improvement program

GET IN TOUCH
WITH US
NOW!

Already available for **BMP 8500** and **Light Tandem Rollers**. More to come.



DON'T TAKE THE RISK!

- Not Fully Protected

Non-genuine filters may not provide optimal protection for costly components, such as hydraulic components, potentially leading to premature wear and increased maintenance costs.

- Outdated Design

Non-genuine filters do not benefit from our continuous product improvement program, which means they may not be state-of-the-art.

- Value for Money Not Guaranteed

Non-genuine filters may not provide the optimal balance of price and performance, potentially leading to a poor return on investment.



AVAILABLE AS BEFORE



BOMAG SERVICE KITS

