

KUBOTA TELESCOPIC
WHEEL LOADER

RT305T-2



Engine output (hp/KW):
66/48.5

Machine weight (kg):
4 000

POWERFUL, HANDY AND VERSATILE

Each application requires a specific tool. RT loaders are perfectly designed for all kinds of work on farms, landscaping sites, municipalities and public works sites. With a perfect balance between performance, compactness, safety and comfort, no job is impossible for the RT305T-2 telescopic loader.

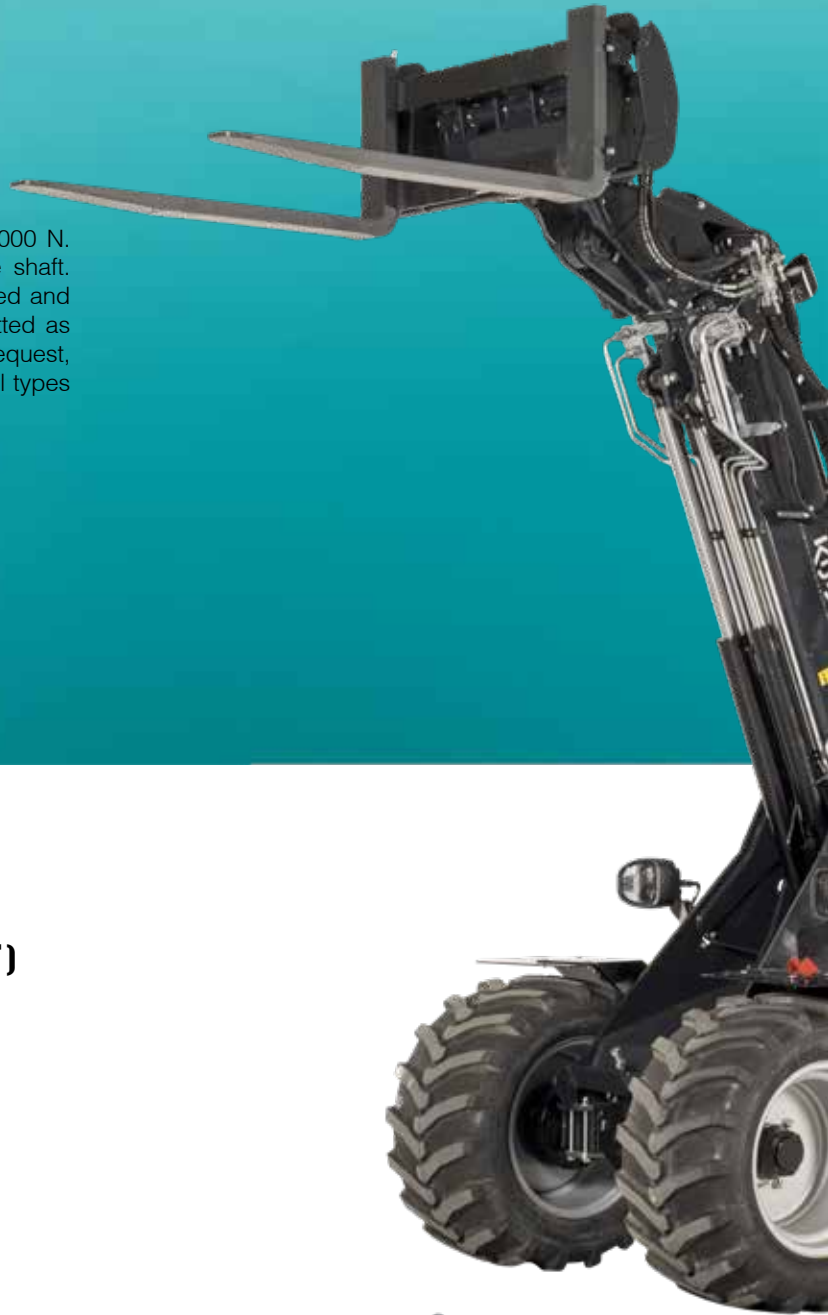
DRIVE SHAFT TRANSMISSION

At low speed, the RT305T-2 has a pulling force of 34,000 N. This power is transmitted to the front axle via a drive shaft. The operator benefits from maximum power at low speed and a maximum travel speed of 30 km/h at high speed. Fitted as standard, a 100% differential lock is available on request, enabling the operator to work in all conditions and on all types of terrain.



HYDROSTATIC TRANSMISSION (HST)

The hydrostatic transmission is equipped with high performance pump which guarantees an efficient transmission of the engine power to the wheels.



KUBOTA ENGINE: POWERFUL AND EFFICIENT WITH LOW EMISSIONS

Kubota engines are renowned for their reliability and longevity. But above all, they are powerful and environmentally friendly, both in terms of noise and pollutant emissions. To meet Stage V standards, the V2403 is equipped with a diesel particulate filter (DPF) and a diesel oxidation catalyst (DOC).



Engine output

RT305T-2: 66 hp

PIVOTING ARTICULATION

A 45° articulation angle and a 4° oscillation angle give the RT305T-2 great stability and manoeuvrability. This keeps all 4 wheels on the ground on uneven terrain, providing traction and power.



HEAVY DUTY CHASSIS

The thickness of the material used, the load resistance and the compactness are the key features of the chassis of the RT-2 series. In addition, the hydraulic tank is enclosed within the frame thus playing the role of counterweight.



SPECIFICATIONS

Weighing in at 4,000 kg for the cab version, with a height at pivots of 4,280 mm and an operating fork capacity of 1,200 kg (see chart, measured with the machine in line, standard tyres, no additional counterweight), the RT305T-2 is the ideal telescopic wheel loader for loading operations requiring a high working height.

LIFTING HEIGHT

The RT305T-2 has a tipping load of 1,200 kg at a height of 4.28 m, enabling it to perform a variety of tasks on the farm: loading mixing bowls, handling manure and bales, loading materials, etc.

HANDLING

Safety valves fitted as standard ensure safe operation. In addition, features such as the floating position (for use with a sweeper) and boom suspension (for ease of transporting heavy loads) enable the RT305T-2 to adapt to its working conditions.

CUSTOMISATION

RT range loaders are fully configurable (canopy/cab, tyres, auxiliary functions, etc.) to suit your projects.



INTERIOR

We have paid particular attention to operator comfort, with a digital instrument panel and multifunction joystick (the same as on our KTH4815-2 telehandler). Air suspension seat on all versions and radio in the cab version. The comfort of a larger loader in a compact one.



CONTROLS

Up to 3 double-acting auxiliary hydraulic functions can be controlled at the front of the machine and 1 at the rear. These can be operated by a joystick (electro-hydraulic) or by one or more levers (mechanical) depending on the attachments used. In addition, the Pro Inching function (combined accelerator/regulator) allows you to work continuously at a controlled speed to use a tool such as a sweeper, for example.



A Joystick

Up to two electrohydraulically controlled proportional DA functions can be operated.

B Lever

Up to two mechanically controlled DA hydraulic functions can be operated, as well as unlocking/locking the hydraulic quick coupler.

C Pro Inching

The hand throttle resistance is used to increase engine speed. The accelerator pedal is transformed into a driving pedal for easy speed control.



YOUR EVERYDAY ALLY

A safe, comfortable driving position in the spacious cab provides good operator protection and excellent 360° visibility. Both the standard canopy and the cab are ISO ROPS / FOPS certified.

COUNTERWEIGHT

An additional 200 kg counterweight is available as an option to improve stability.



VISIBILITY

The RT305T-2 can be fitted with work lights at the front or rear of the cab and on the lift arm, giving greater visibility of your worksites and increasing safety around the machine.



Kubota Genuine and Approved Parts

for maximum
performance,
durability and
safety



MAINTENANCE

The main components to be checked daily, such as the engine oil level, coolant level, air filter and radiator, are easily accessible through the wide opening in the engine bonnet. Plus, the battery's staggered terminals provide rapid starting assistance when needed.

Standard and optional equipments

● Standard equipment ○ Optional equipment

Model	RT305T-2
Engine/Fuel system	
KUBOTA original engine (Stage V)	●
Diesel Oxidation Catalyst (DOC), Diesel Particulate Filter (DPF)	●
Cyclonic filter	●
Oil cooler	●
Transmission	
Hydrostatic 4-wheel drive with automotive control	●
14-ton axles with robust planetary end drive	●
Pulling force 34,000 N	●
100% electric differential lock on both axles	●
0-15 km/h, 0-30 km/h (with automatic gear)	●
Brake pedal (left), accelerator pedal (right)	●
Hydraulic braking on 4 wheels	●
Hand throttle EPC	○
Pro inching EPC	○
Various sizes and profiles of tyres (agriculture, construction, turf, etc.)	○
Driving position	
ROPS / FOPS canopy including safety doors (L+R) and document box	●
Air-suspended seat with safety belt, armrest and headrest	●
ROPS / FOPS cabin including heater, FM/AM radio	○
FM/AM radio and speakers, sun blind, side mirrors (L+R), 2 x front LED work lights, 2 x rear LED work lights	○
Air conditioning (Cab)	○
DAB + radio and speakers (Cab)	○
Front window with wiper (Canopy) (ligne à supprimer)	○
Rear window (Canopy) (ligne à supprimer)	○
Side mirrors (L+R) (Canopy)	○
Body	
Kubota Standard hydraulic quick coupler	●
Counterweight integrated into bumper	●
Towing hitch	●
Other types of hydraulic quick couplers (example: Euro)	○
Mudguard wideners	○
200 kg counterweight under the machine	○
Combination towing hitch (hitch + ball)	○
RAL customization, max. 1 colour (hood + side shields)	○
RAL customization, max. 2 colours (hood + side shields + frame)	○

ROAD USE

You can equip and register your loader for use on public roads using a range of physical options (road lights, flashing light, plate holder, transport safety device, etc.) and documents. Regulations vary depending on country.



Model	RT305T-2
Lifting	
Modular cylinder option (safety valve ready)	●
Transport safety device	●
Safety valves on lifting cylinders	●
Floating position	○
Boom suspension	○
Hydraulic system	
Multi function joystick	●
1 x Auxiliary hydraulic function, mechanical on lever	○
2 x Auxiliary hydraulic functions, mechanical on lever	○
1 x Auxiliary hydraulic function electro-hydraulic proportional control on joystick	○
2 x Auxiliary hydraulic functions electro-hydraulic proportional control on joystick	○
Tandem pump 67 l/min - 150 bar (counts as one Auxiliary hydraulic function)	○
Single-side / double-side hydraulic detent	○
Drain line	○
Free return	○
Other hydraulic and electrical connections at the back of the machine	○
Lighting / Electricity	
2 x LED work lights on lift arm	●
77 Ah battery	●
Main switch	●
12V - 3-pin socket for attachment (possible at front or rear)	○
13-pin rear socket for trailer	○
2 x front LED work lights, on roof (canopy)	○
2 x rear LED work lights, behind seat (canopy)	○
100 Ah battery	○
Road use	
Road Lights LED	○
Amber flashing beacon	○
License plate holder	○
Various approvals for local registration	○
Other options	
Reverse buzzer	○
Biodegradable hydraulic oil	○

*For further information consult your local dealer.

Tyres	Profile	Width cm	Serie / Option
11.5/80-15,3 AS	Agriculture	134	●
31x15,5-15 AS	Agriculture	147	○
31x15,5-15 X-TRAC	Light construction	147	○
31x15,5-15 SKID	Construction	147	○
480/45x17 AS	Agriculture	162	○
500/45-20 AS	Agriculture	165	○

Attachments

QUICK COUPLER

RT305T-2 is equipped with a hydraulic quick coupler for easy and fast change of attachments.



Specifications

Model		RT305T-2
Operating weight	kg	4000
Engine		
Manufacturer		Kubota
Model		V2403
Horse power (ISO9249)	kW	48.5
	hp	66
Number of cylinders		4
Displacement	cc	2434
Transmission		
Type		Hydrostatic with automotive control
Tyre size		11,5/80-15,3 AS
Travelling speed	km/h	0~15, 0~30
Pulling force	N	34.000
Angle of oscillation	°	4
Auxiliary oil flow	l/min	70
Auxiliary oil pressure	bar	220
Noise level		
Sound pressure level (LpA)(canopy/cabin)	dB (A)	≤101
Sound power level (LwA (2000/14/EC))	dB (A)	≤101
Hand arm system vibration	m/s ²	≤2.5
Whole body vibration	m/s ²	≤2.5
Capacity		
Fuel tank	l	82
Hydraulic oil tank	l	60
Engine oil	l	9,5
Front / rear axle oil	l	13,5

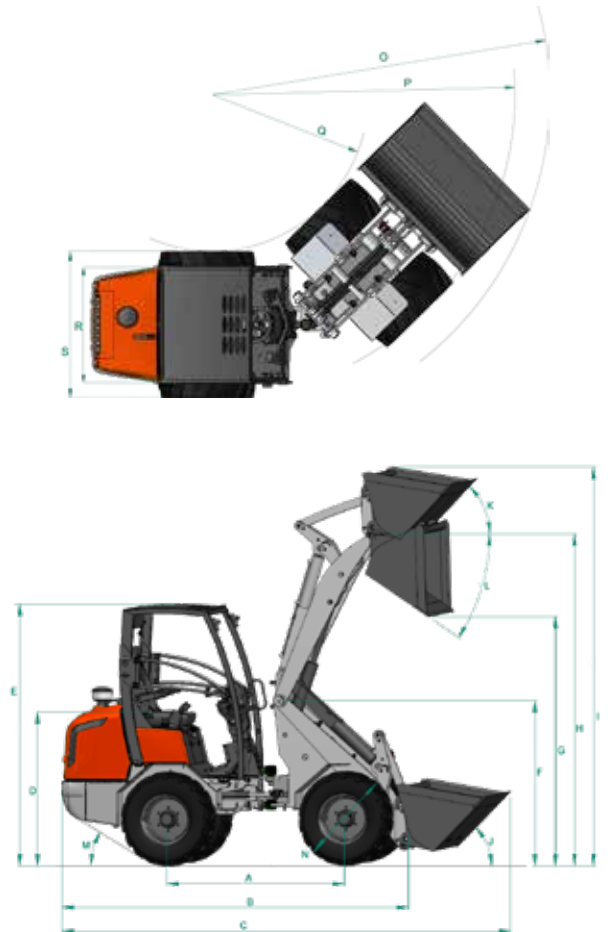
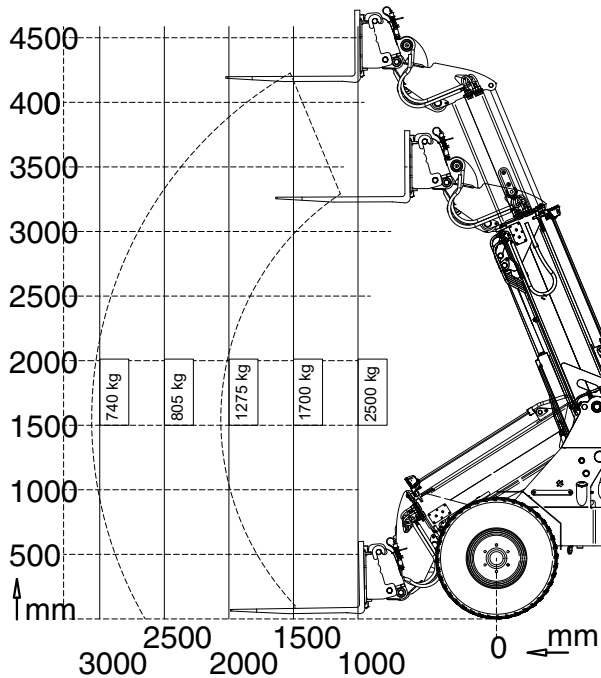
Dimensions

Machine dimensions*

Model		RT305T-2
A	Wheel base	mm 1972
B	Overall length without bucket	mm 4067
C	Overall length with bucket	mm 4965
D	Seat height	mm 1270
E	Overall height	mm 2275
F	Front frame height	mm 1775
G	Dumping height	mm 3410
H	Max. height at hinge pin	mm 4312
I	Max. lifting height at bucket	mm 4955
J	Opening angle at ground level	° 42
K	Opening angle at max. height	° 55
L	Dumping angle	° 37
M	Rear climbing angle	° 22
N	Diameter of standard wheel	mm 940
O	Turning radius with bucket	mm 3615
P	Turning radius (outer wheel)	mm 3150
Q	Turning radius (inner wheel)	mm 1675
R	Track	mm ?
S	Overall width	mm 1340
_	Articulation angle	° 4
_	Ground clearance	mm ?

*The data have been measured on the standard version. Specifications are subjects to be changed without notice.

Loading chart



★ All images shown are for brochure purposes only.

When operating the wheel loader, wear clothing and equipment in accordance to local legal and safety regulations.

KUBOTA EUROPE S.A.S.

19 rue Jules Vercurysse
 Zone Industrielle - CS 50088
 95101 Argenteuil Cedex France
 Téléphone : (33) 01 34 26 34 34
<http://www.kubota-eu.com>

