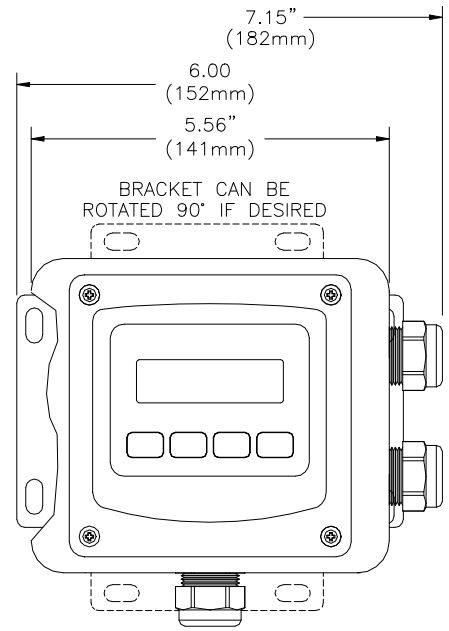
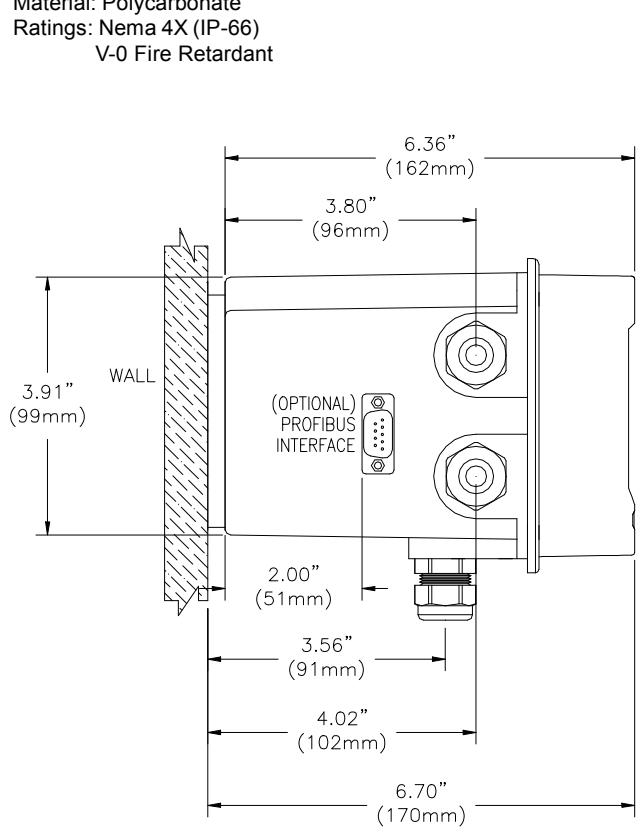


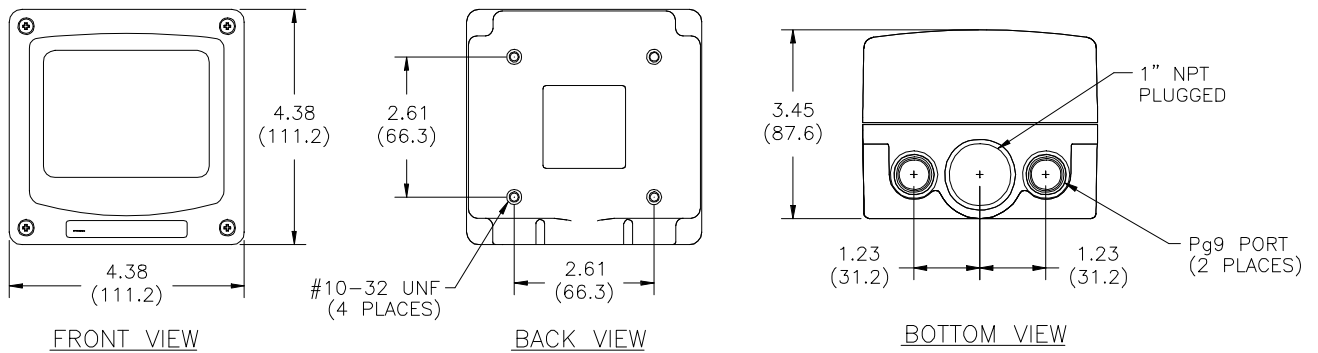
ANALYZER DIMENSIONS (WALL MOUNT SHOWN)

Material: Polycarbonate
 Ratings: Nema 4X (IP-66)
 V-0 Fire Retardant



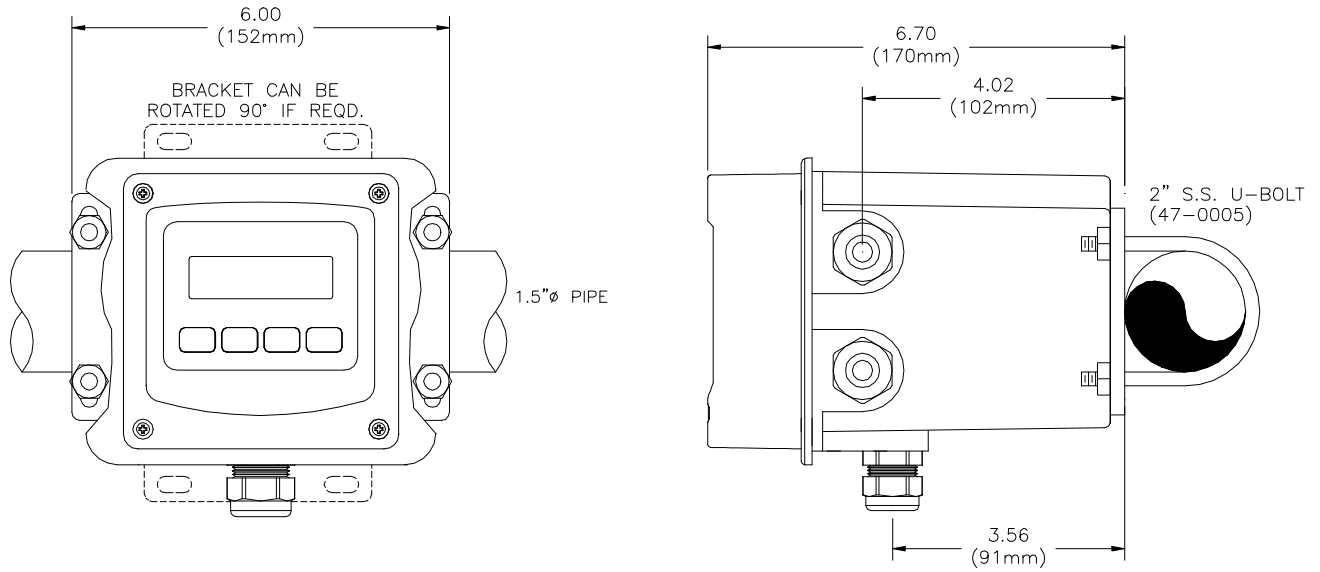
ATI-0926

JUNCTION BOX



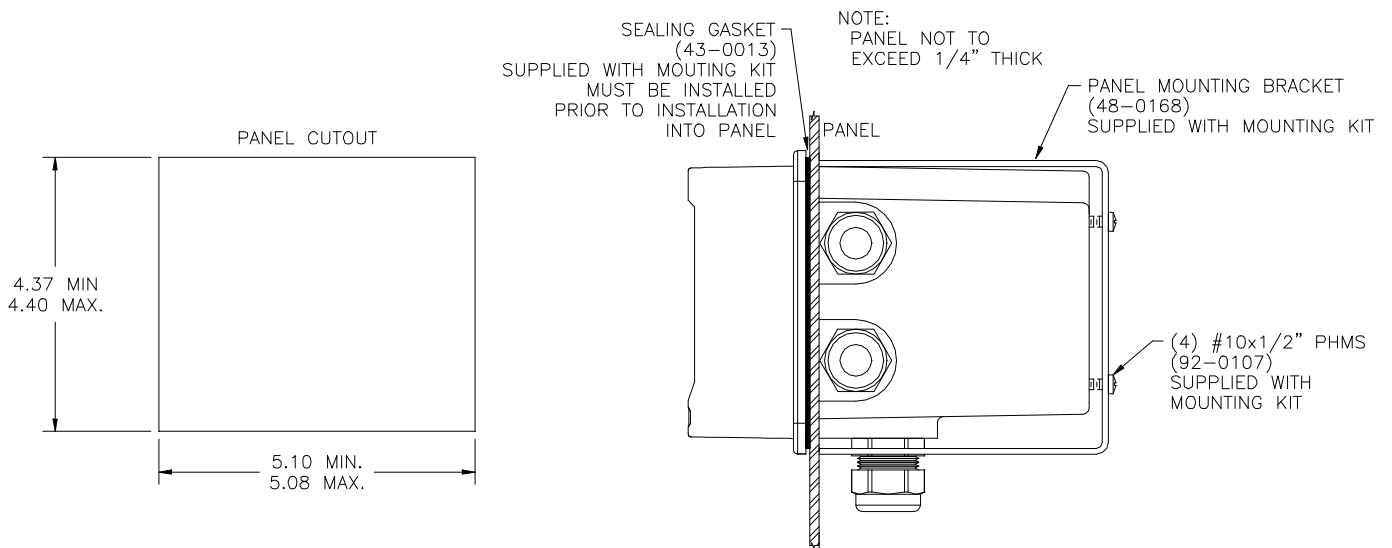
ATI-0655

PIPE MOUNTING



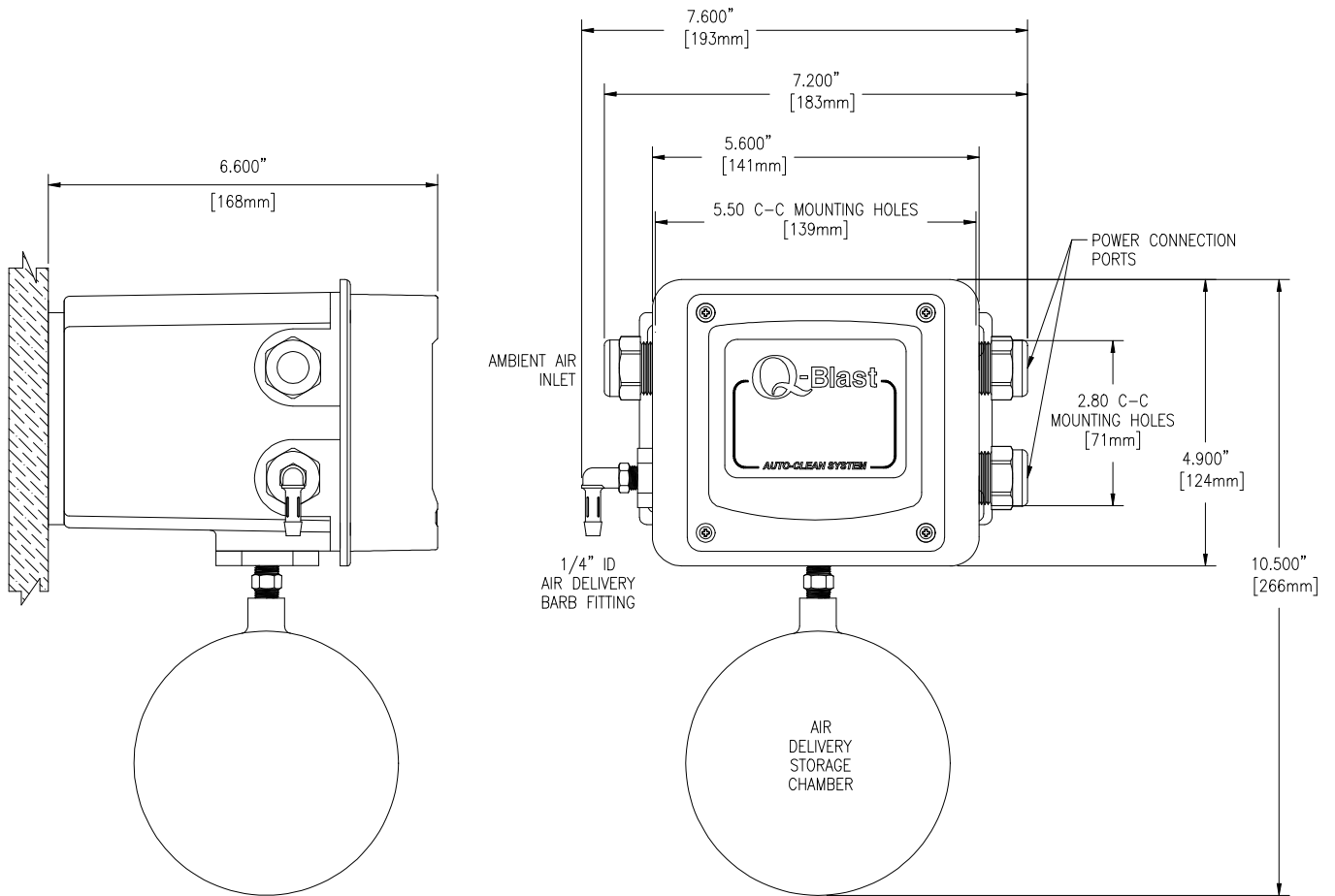
ATI-0927

PANEL MOUNTING DIAGRAM

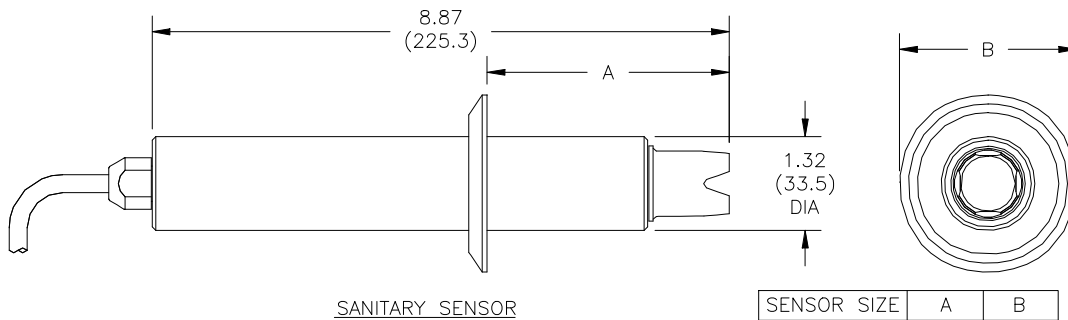
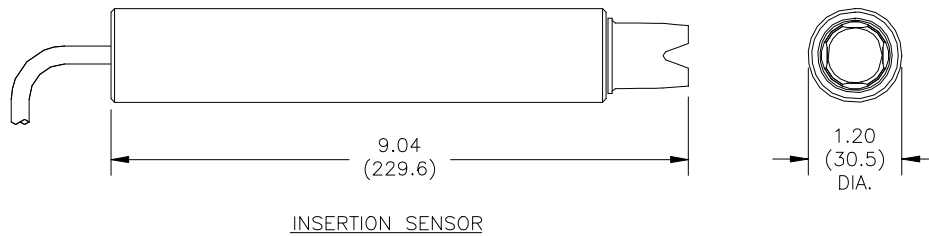
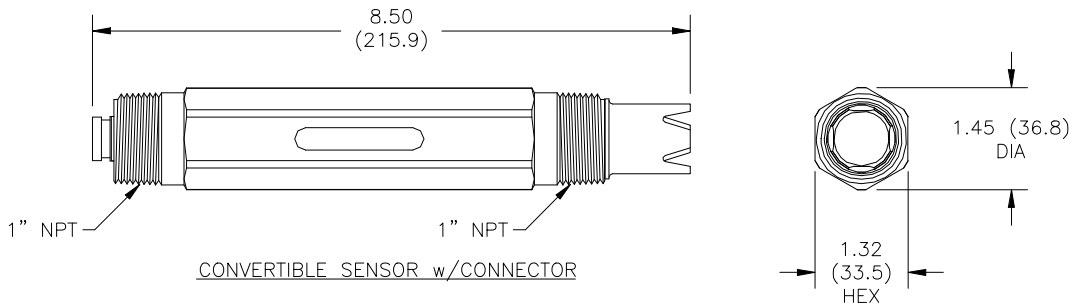
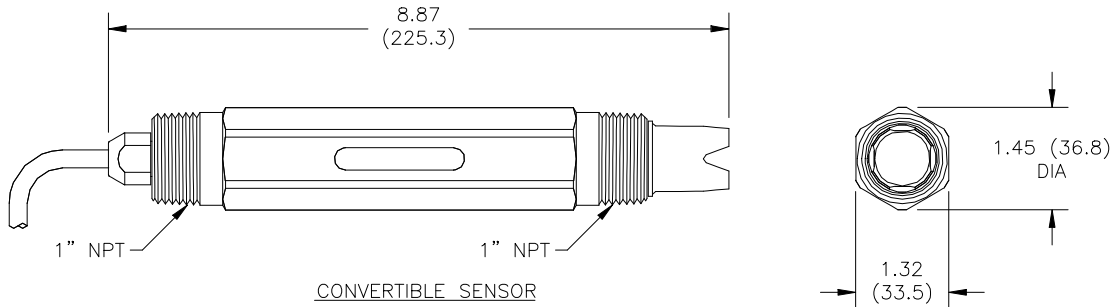


ATI-0928

AIR-BLAST ASSEMBLY



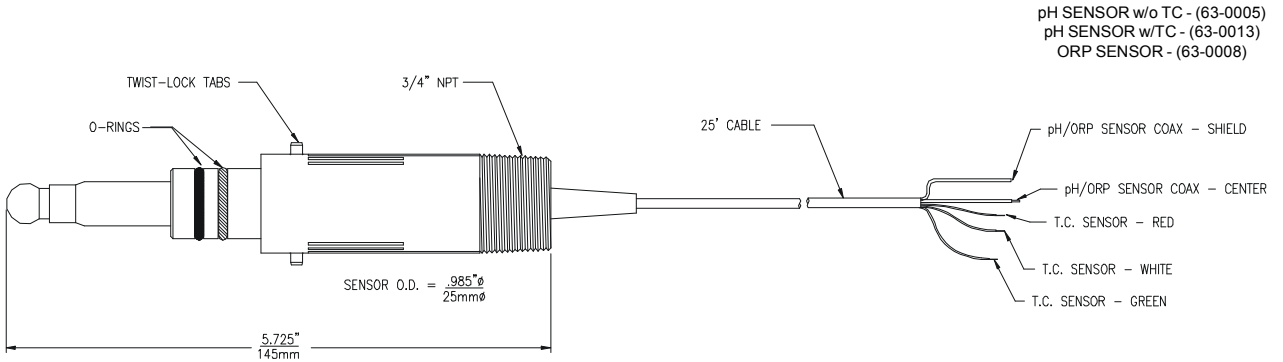
Q25 pH/ORP SENSOR DIMENSIONS



SENSOR SIZE	A	B
1-1/2"	2.75 (70.0)	1.98 (50.4)
2"	3.50 (88.9)	2.50 (63.5)

ATI-0724

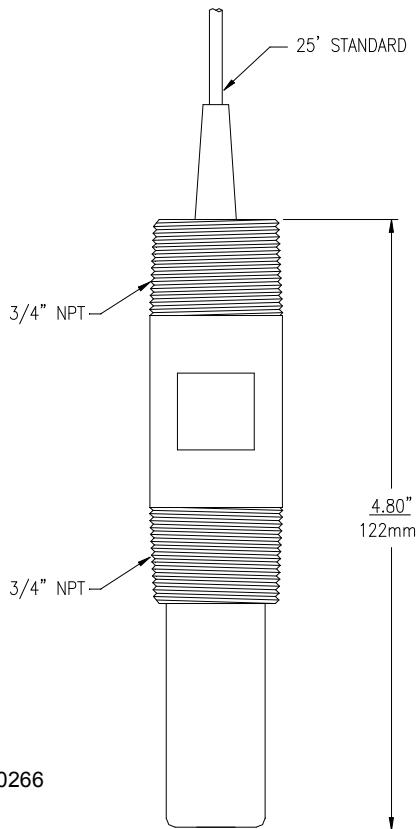
FLOW SENSOR DIMENSIONS



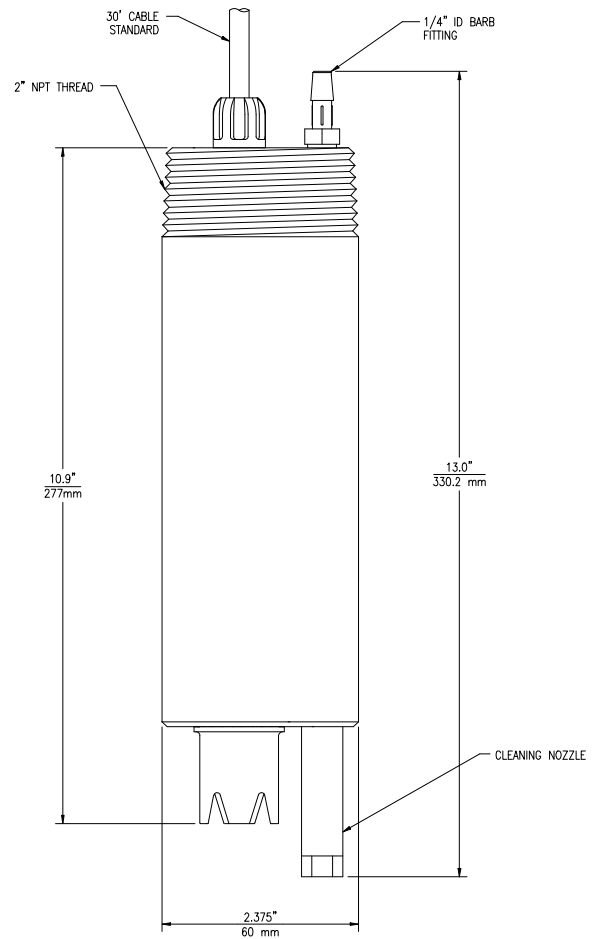
ATI-0313

SUBMERSIBLE SENSOR DIMENSIONS **30' AUTO-CLEAN SENSOR ASSEMBLY**
pH SENSOR (07-0127), 30' ORP (07-0129)

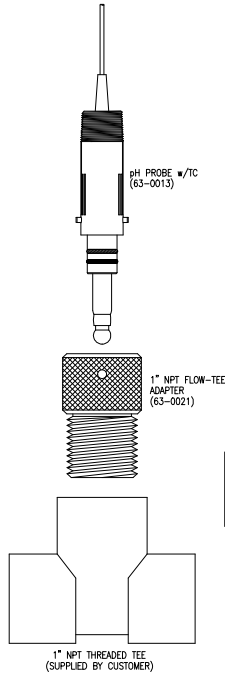
pH SENSOR - (63-0009)
 ORP SENSOR - (63-0023)



ATI-0266

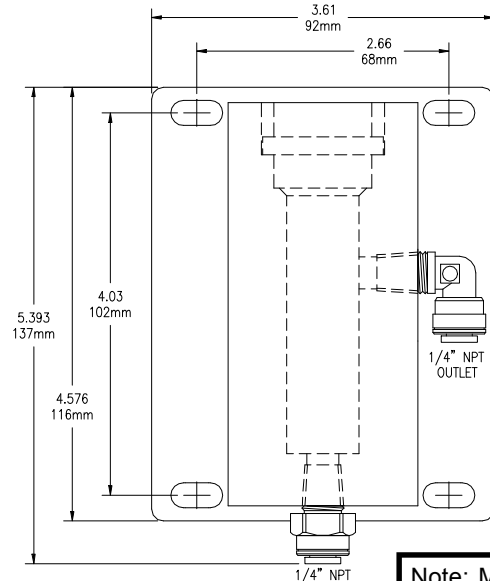


FLOW "T" INSTALLATION



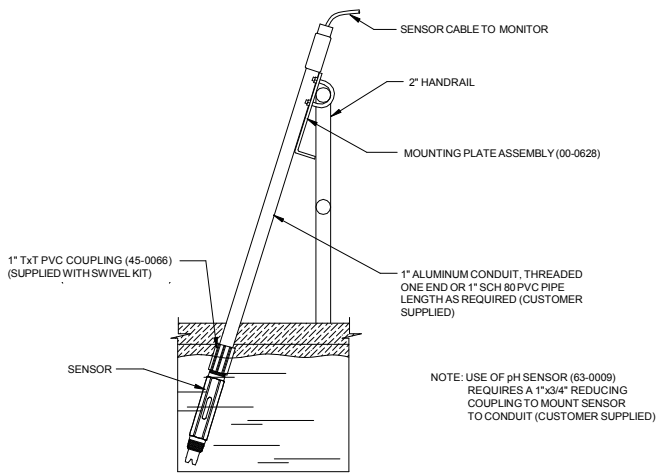
FLOW "T":
 1) Max. 150 psi for
 FLOW "T" operation.

SEALED pH FLOWCELL ASSY (00-1527)



Note: Mounting slots
 will accommodate up
 to #10-32 screws

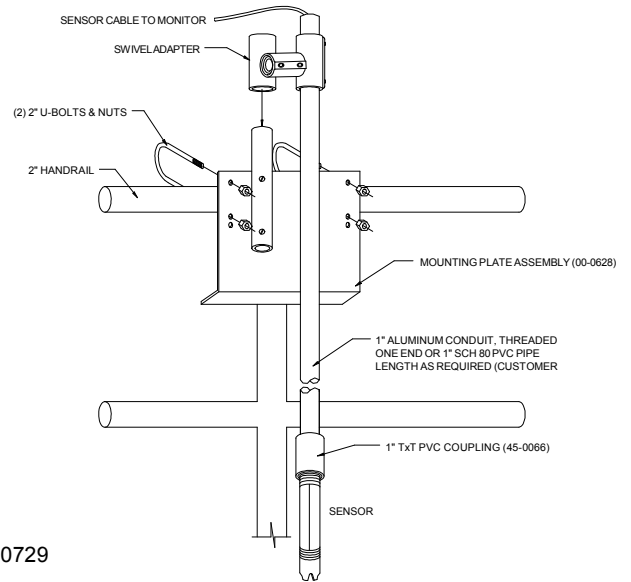
SENSOR HANDRAIL MOUNTING



NOTE: USE OF pH SENSOR (63-0009)
 REQUIRES A 1"x3/4" REDUCING
 COUPLING TO MOUNT SENSOR
 TO CONDUIT (CUSTOMER SUPPLIED)

ATI-0728

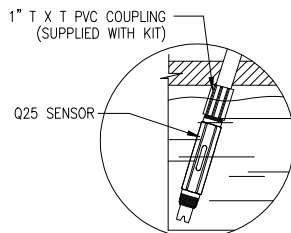
SENSOR HANDRAIL INSTALLATION



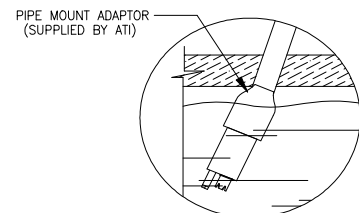
ATI-0729

SUBMERSIBLE SENSOR MOUNTING OPTIONS

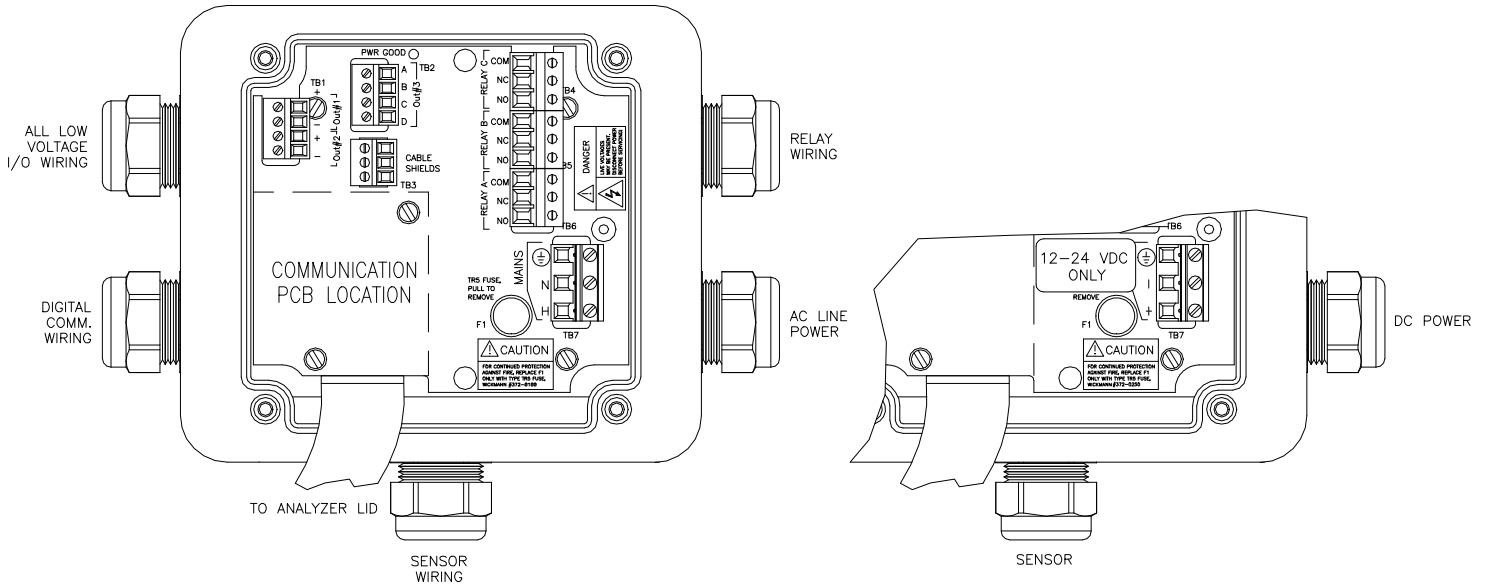
**STANDARD
 SUBMERSIBLE
 (00-0628)**



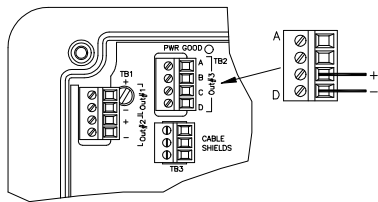
**AUTOCLEAN
 SUBMERSIBLE
 (00-0624)**



POWER, RELAY, AND OUTPUT CONNECTIONS

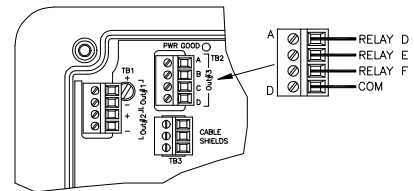


Optional Analog Output Wiring



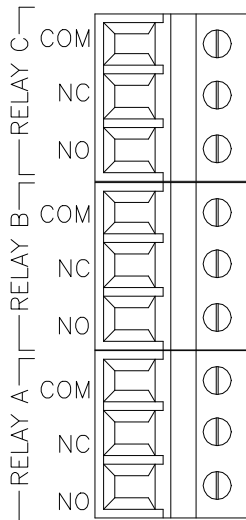
ATI-0930,
0932, 0933

Optional Relay Board Wiring
(30V Max.)

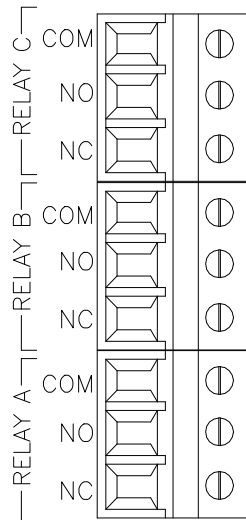


RELAY WIRING TB4,5,6 DETAIL

FACTORY DEFAULT
(NORMAL MODE)

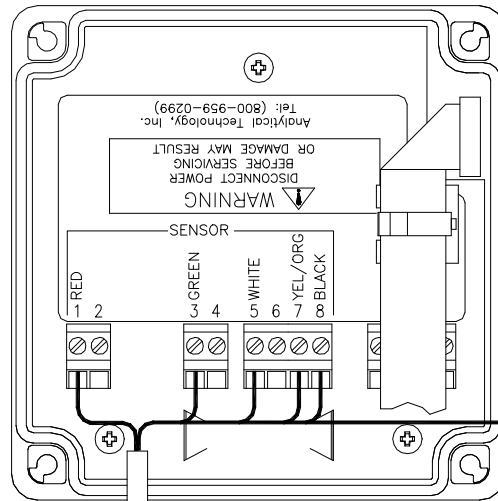


(FAILSAFE MODE)

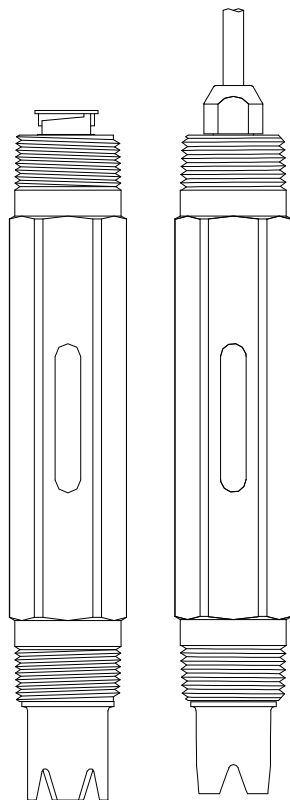


ATI-0931

SENSOR CONNECTIONS

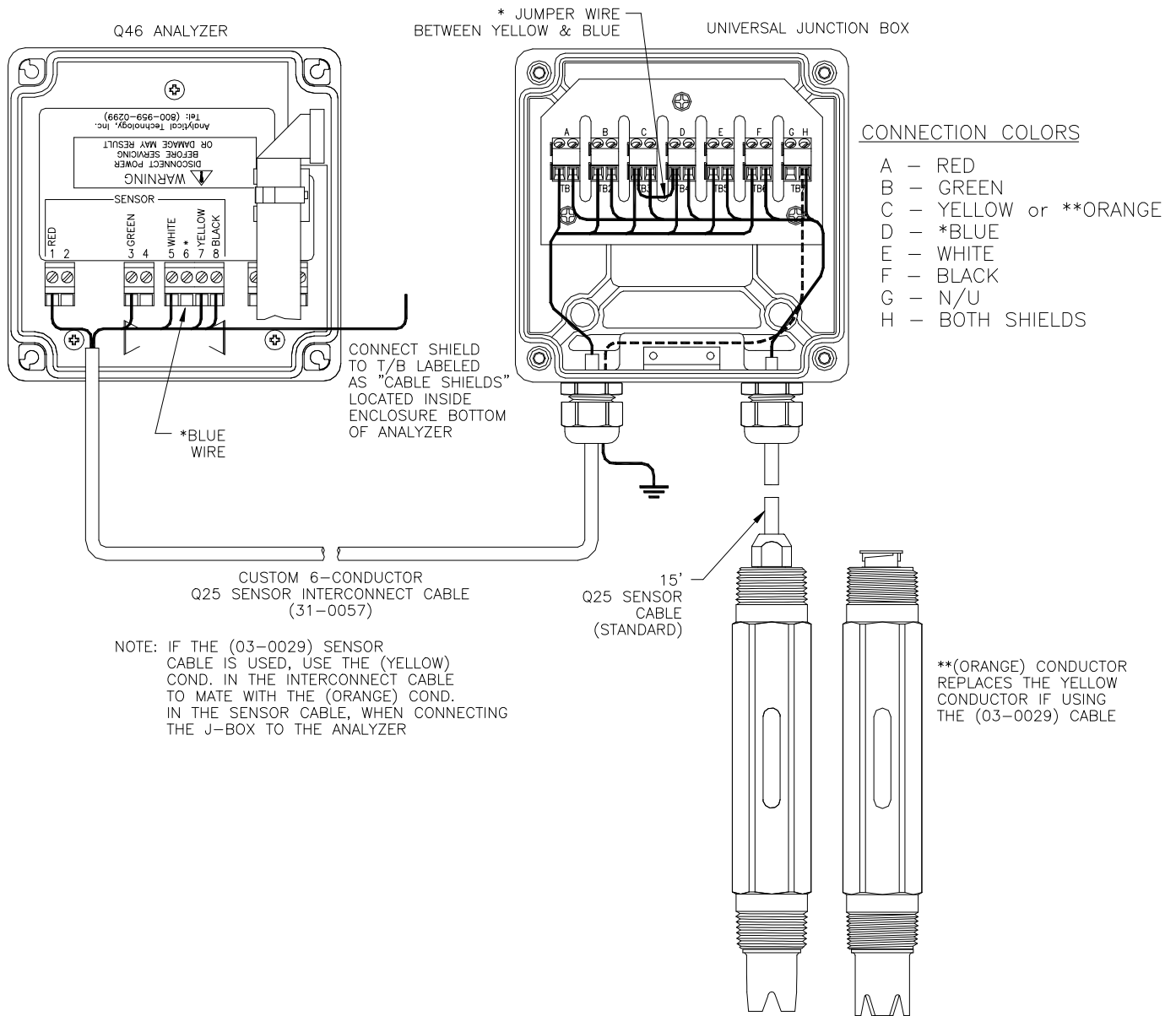


CONNECT SHIELD TO T/B
LABELED AS "CABLE SHIELDS"
LOCATED INSIDE ENCLOSURE BOTTOM
OF TRANSMITTER

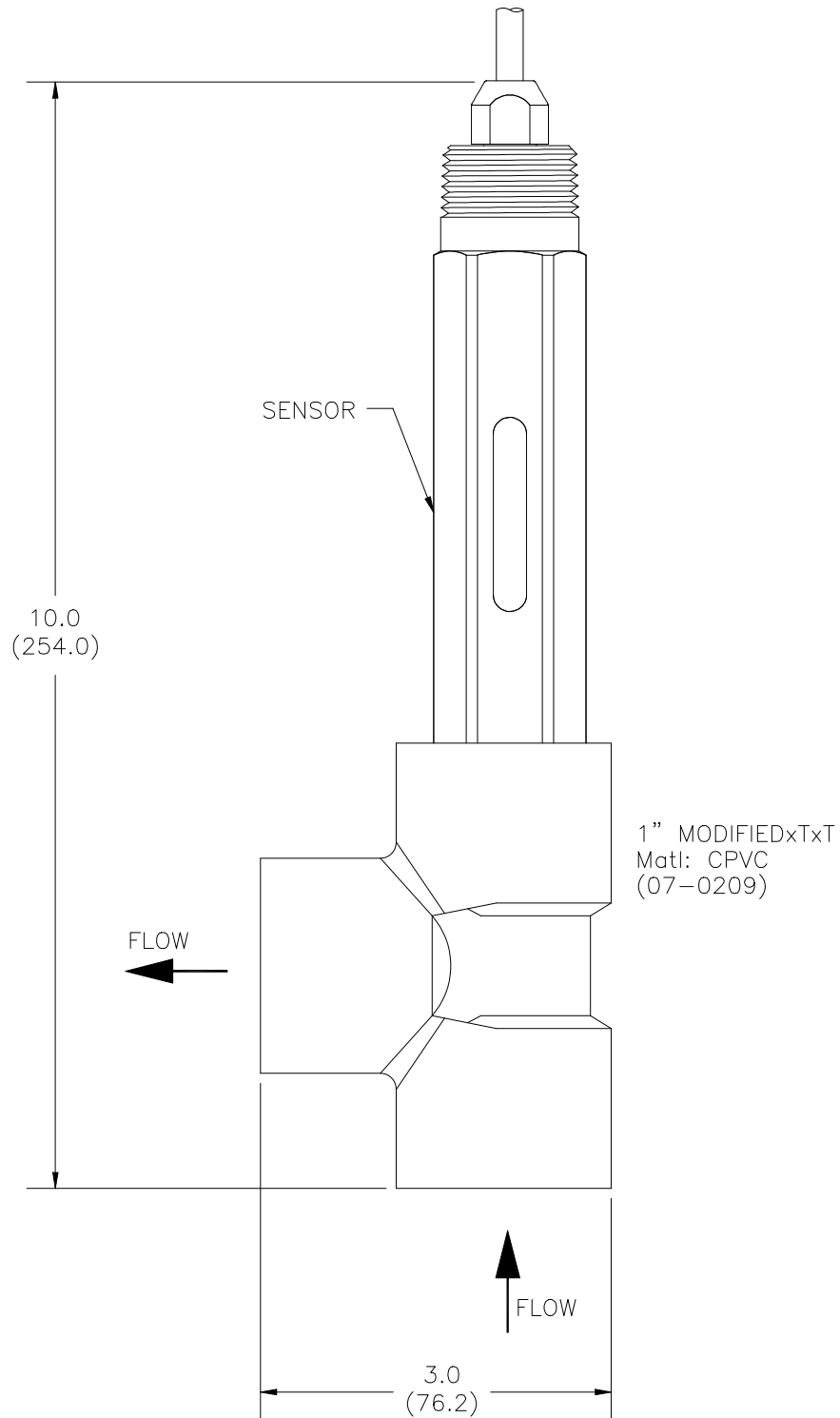


IF USING (03-0029)
CABLE, REPLACE (YEL)
COND. WITH THE (ORG)
CONDUCTOR IN THE
SENSOR CABLE

SENSOR CONNECTIONS w/JUNCTION BOX

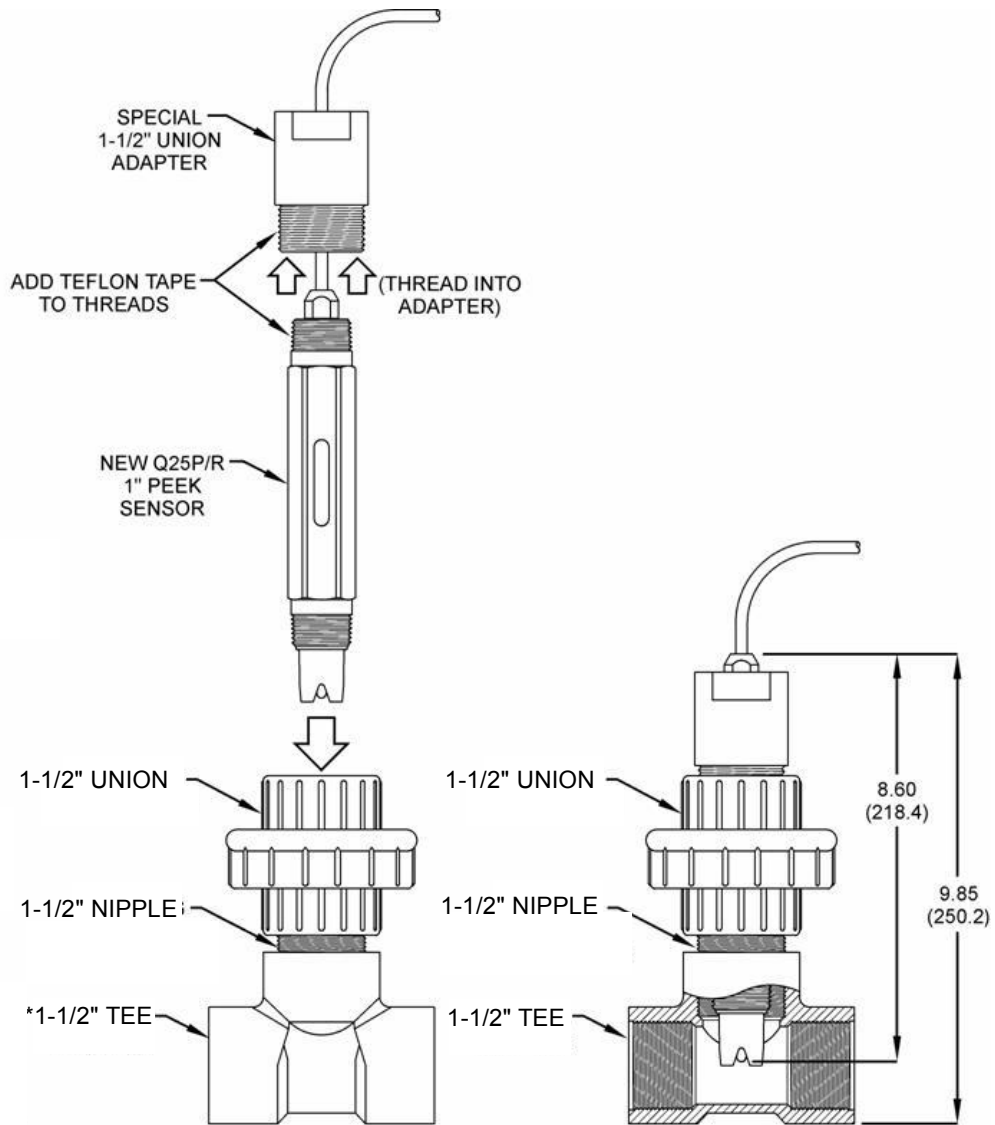


FLOW TEE DETAIL



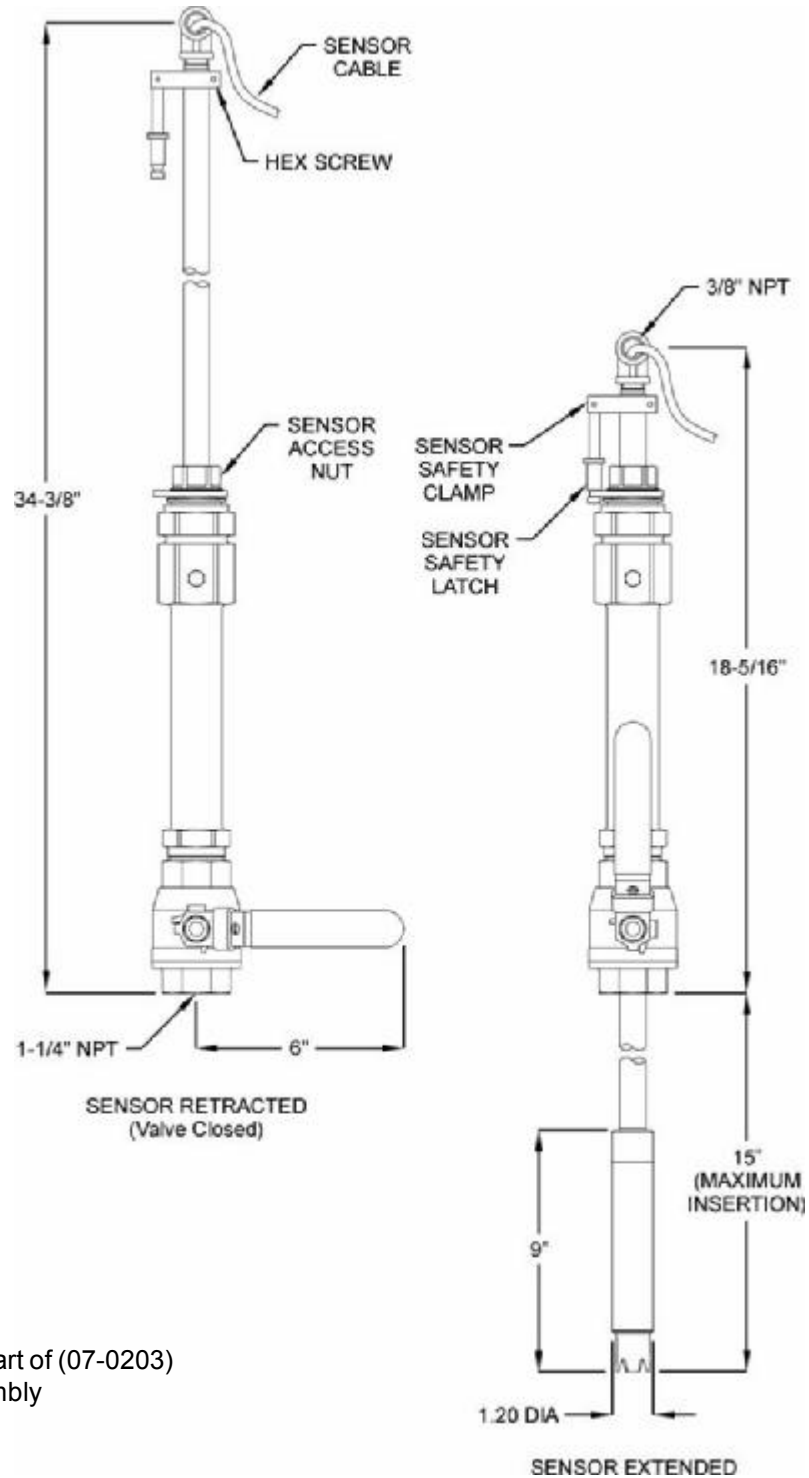
ATI-0727

1-1/2" UNION DETAIL - (07-0221)



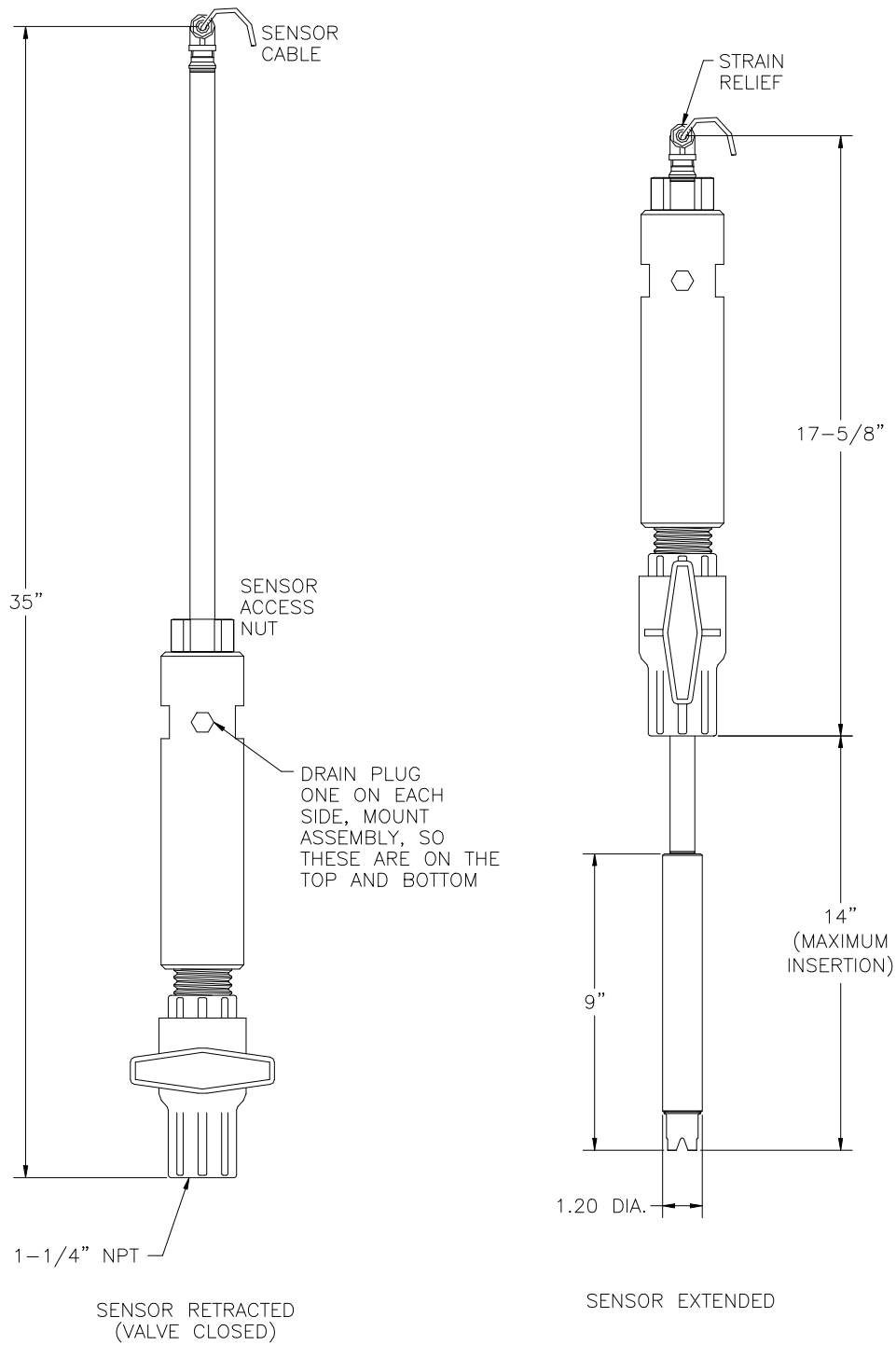
* 1-1/2" TEE Fitting not supplied with P/N (07-0221). Tee Fitting must be ordered Separately

INSERTION ASSEMBLY DETAIL (07-0203) - (SS VERSION)



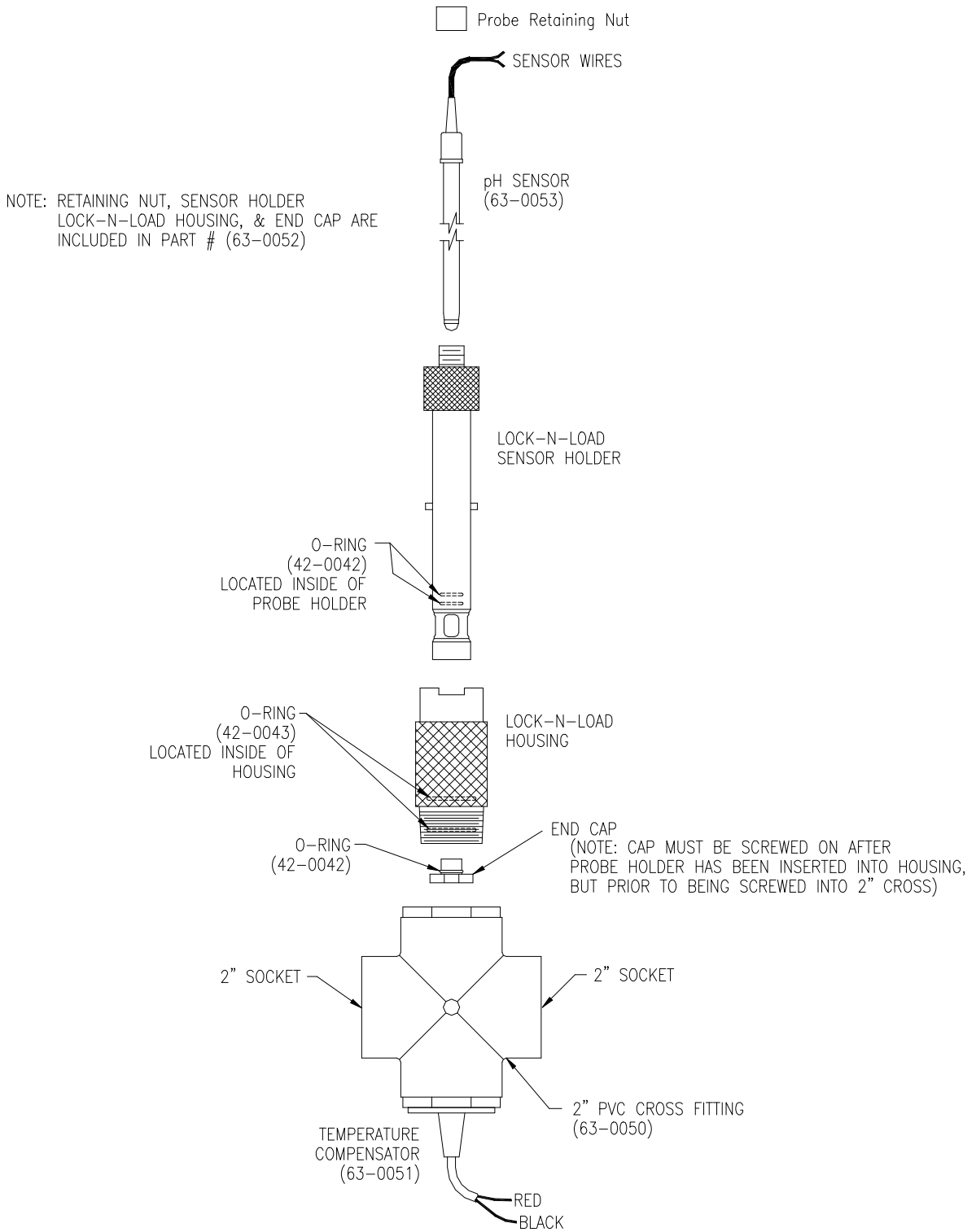
NOTE: Sensor is not part of (07-0203) insertion assembly

INSERTION ASSEMBLY DETAIL (07-0223) - (CPVC VERSION)



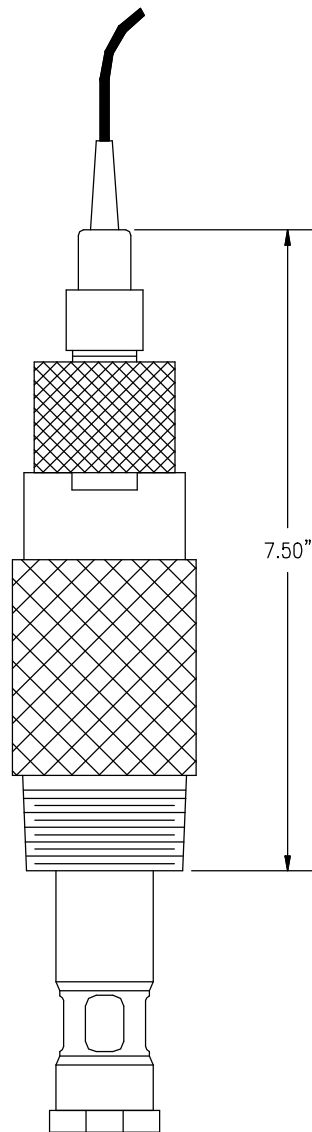
NOTE: Sensor is not part of (07-0223) insertion assembly

LOCK-N-LOAD SENSOR (EXPLODED VIEW)

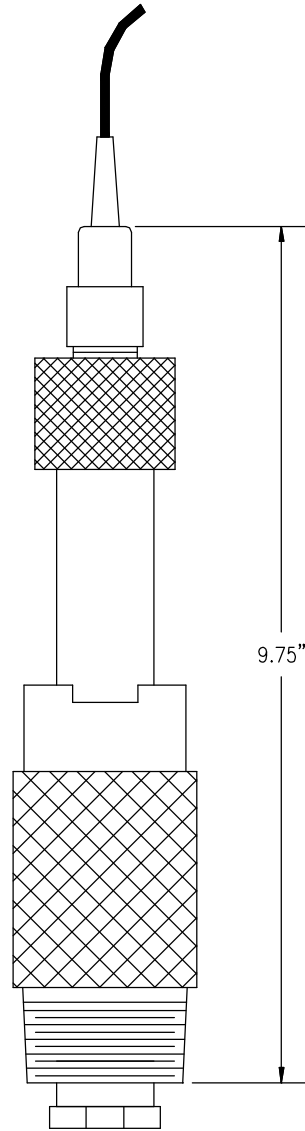


ATI-0622

LOCK-N-LOAD SENSOR (OPERATIONAL DIAGRAMS)



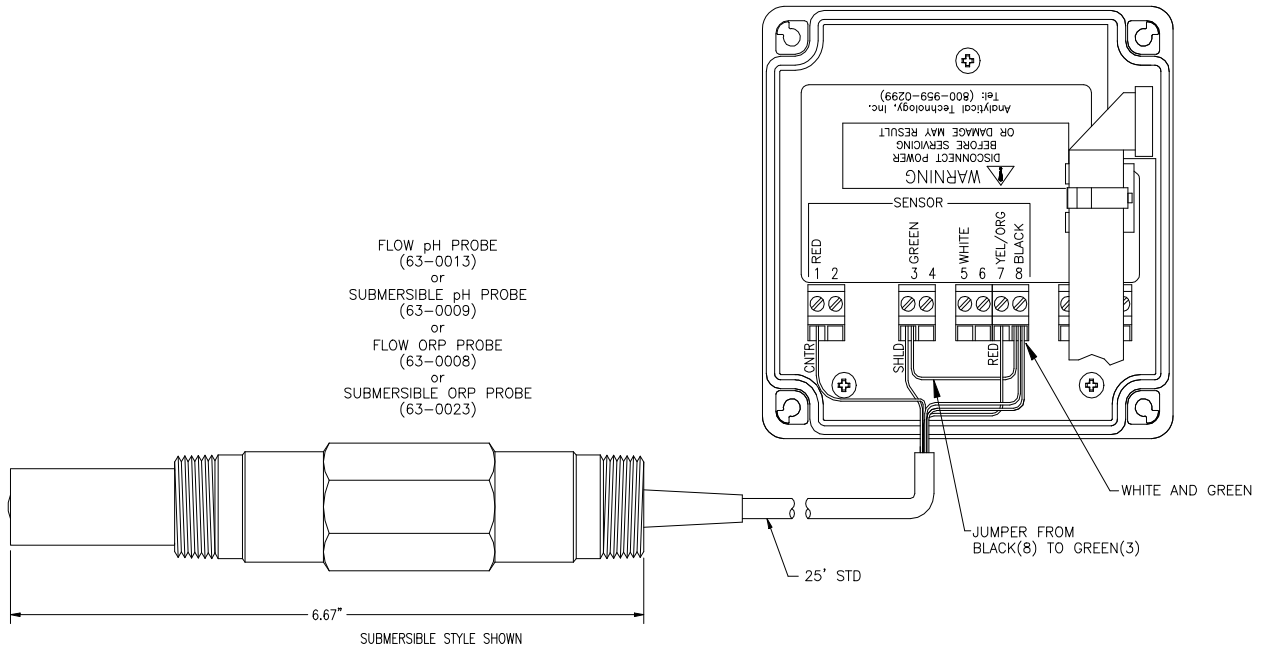
OPERATIONAL POSITION



MAINTENANCE POSITION

ATI-0626

SENSOR CONNECTION (COMBINATION ELECTRODE)



FOR ATI SENSORS LISTED ABOVE CONNECT AS FOLLOWS:

- Terminal 1 – Center Clear (Coax)
- 3 – Shield (Coax)
- 7 – Red (Pt100)
- 8 – White and Green or Blue (Pt100)

Terminals 3 & 8 **MUST** be connected with jumper wire

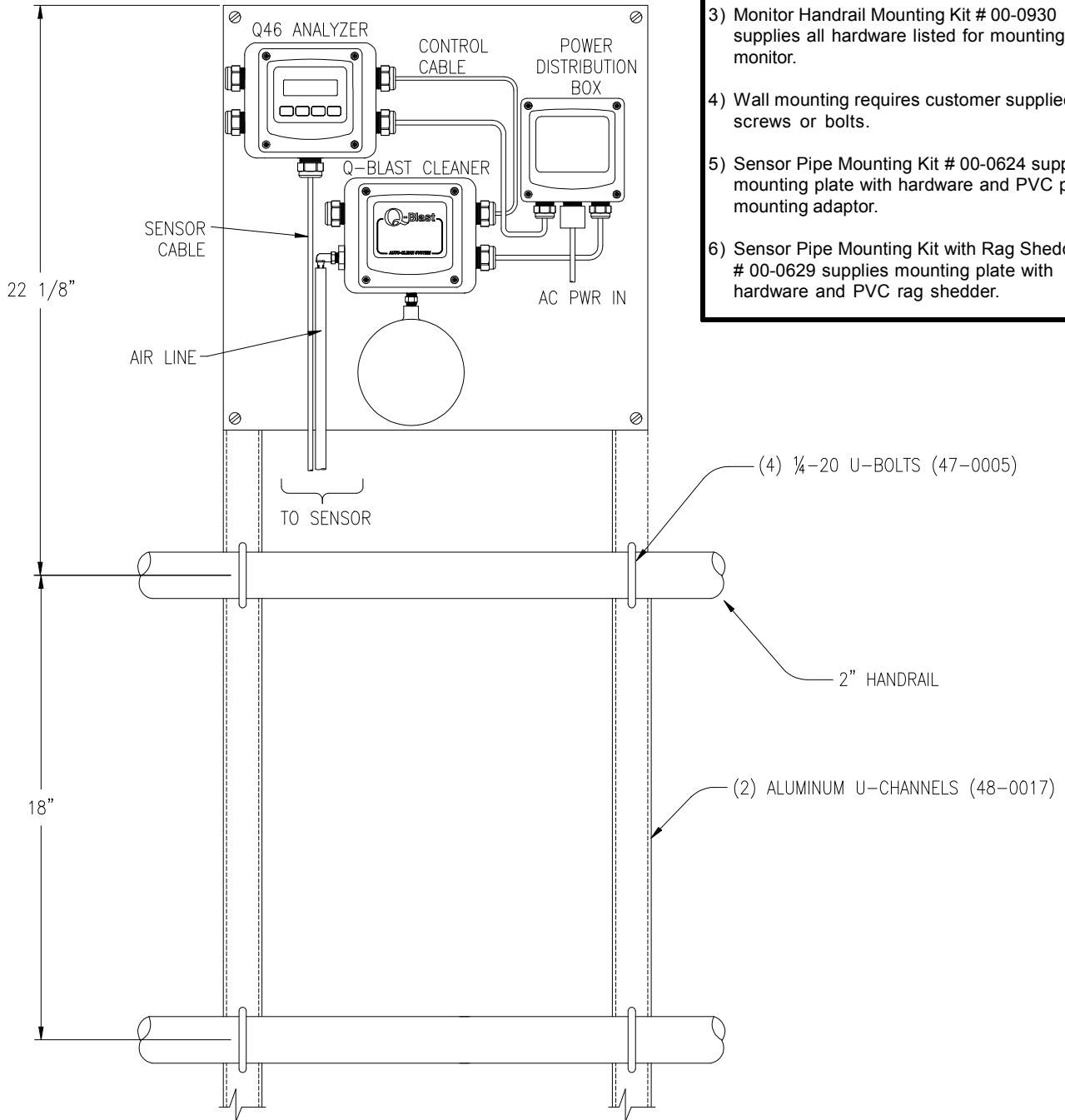
FOR OTHER COMBINATION ELECTRODES, CONNECT AS FOLLOWS:

- Terminal 1 - Glass Electrode
- 3 - Reference Electrode
- 7 - PT100 or PT1000 Temp. Element
- 8 - PT100 or PT1000 Temp Element

- NOTES: 1. Terminals 3 and 8 **MUST** be connected with jumper wire.
 2. ORP sensors **DO NOT HAVE** T/C connections.

MONITOR HANDRAIL INSTALLATION

NOTES

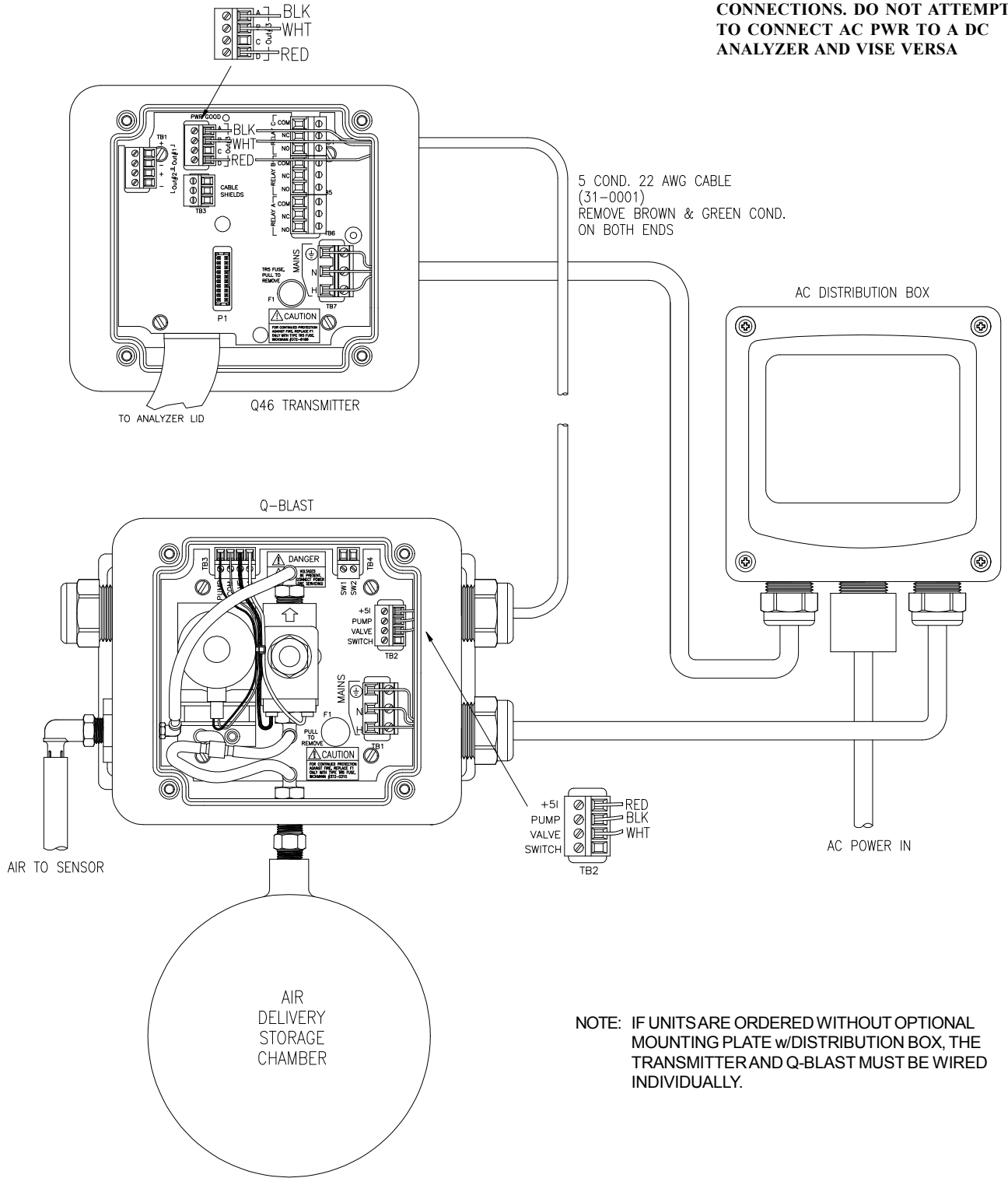


- 1) Always mount sensor cleaner within 25 ft. of sensor if possible. Maximum air line distance is 50 ft.
- 2) Sun shade over monitor is recommended in hot climates.
- 3) Monitor Handrail Mounting Kit # 00-0930 supplies all hardware listed for mounting monitor.
- 4) Wall mounting requires customer supplied screws or bolts.
- 5) Sensor Pipe Mounting Kit # 00-0624 supplies mounting plate with hardware and PVC pipe mounting adaptor.
- 6) Sensor Pipe Mounting Kit with Rag Shedder # 00-0629 supplies mounting plate with hardware and PVC rag shedder.

ATI-0962

AUTOCLEAN SYSTEM - ELECTRICAL WIRING

NOTE: DC ANALYZER PWR INPUTS INDICATE "+" AND "-" FOR INPUT CONNECTIONS. DO NOT ATTEMPT TO CONNECT AC PWR TO A DC ANALYZER AND VISE VERSA



NOTE: IF UNITS ARE ORDERED WITHOUT OPTIONAL MOUNTING PLATE w/DISTRIBUTION BOX, THE TRANSMITTER AND Q-BLAST MUST BE WIRED INDIVIDUALLY.