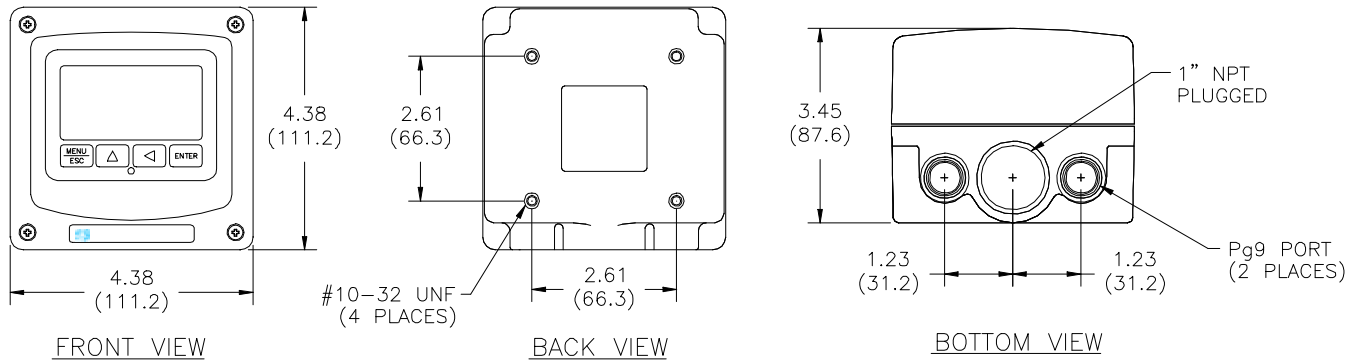


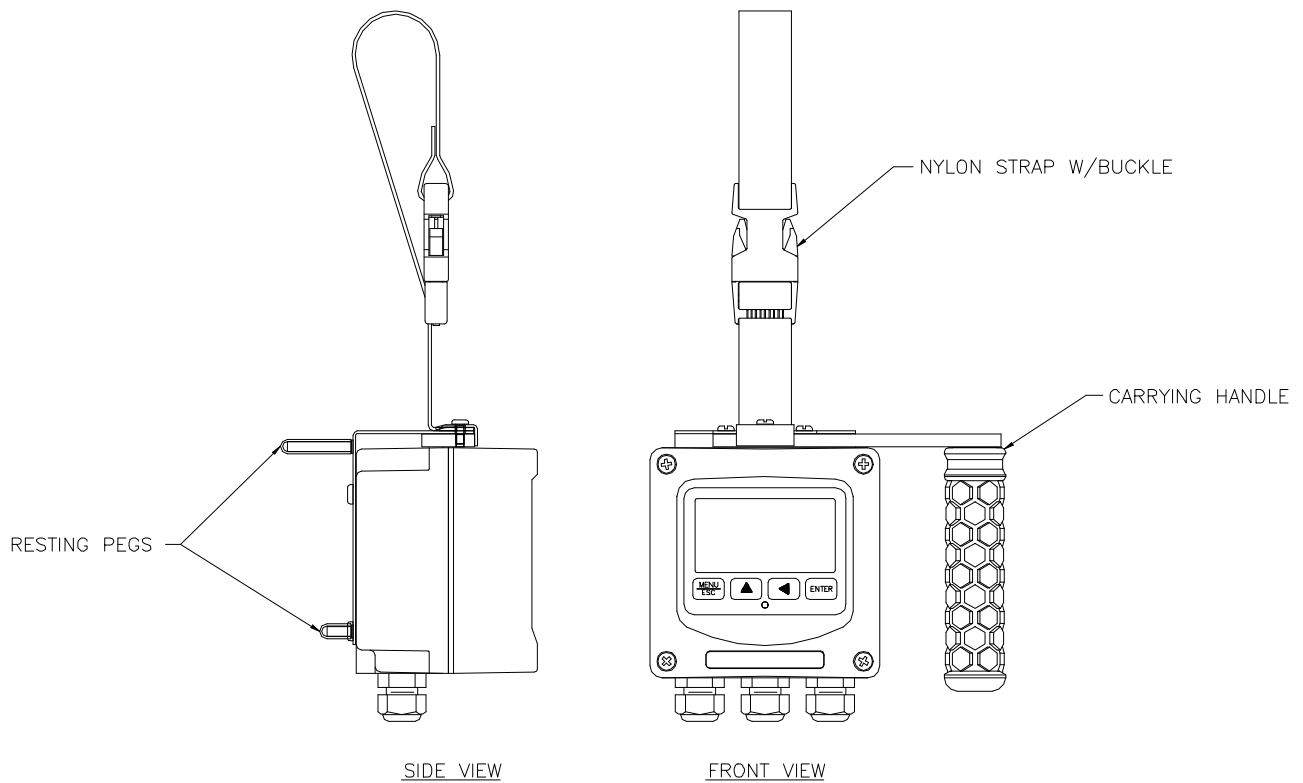
2-WIRE VERSION or REMOTE DC MODELS



NOTE: JUNCTION BOXES HAVE SAME DIMENSIONS AS 2-WIRE TRANSMITTER

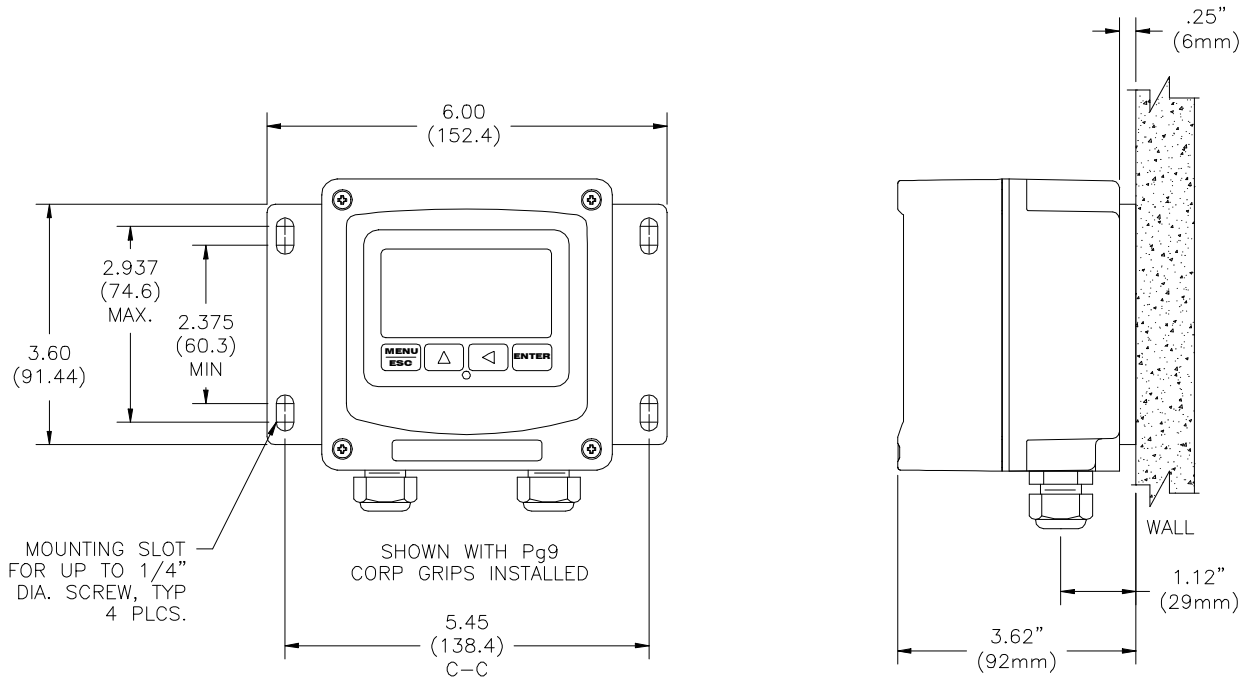
ATI-0655

INTERNAL BATTERY MODEL



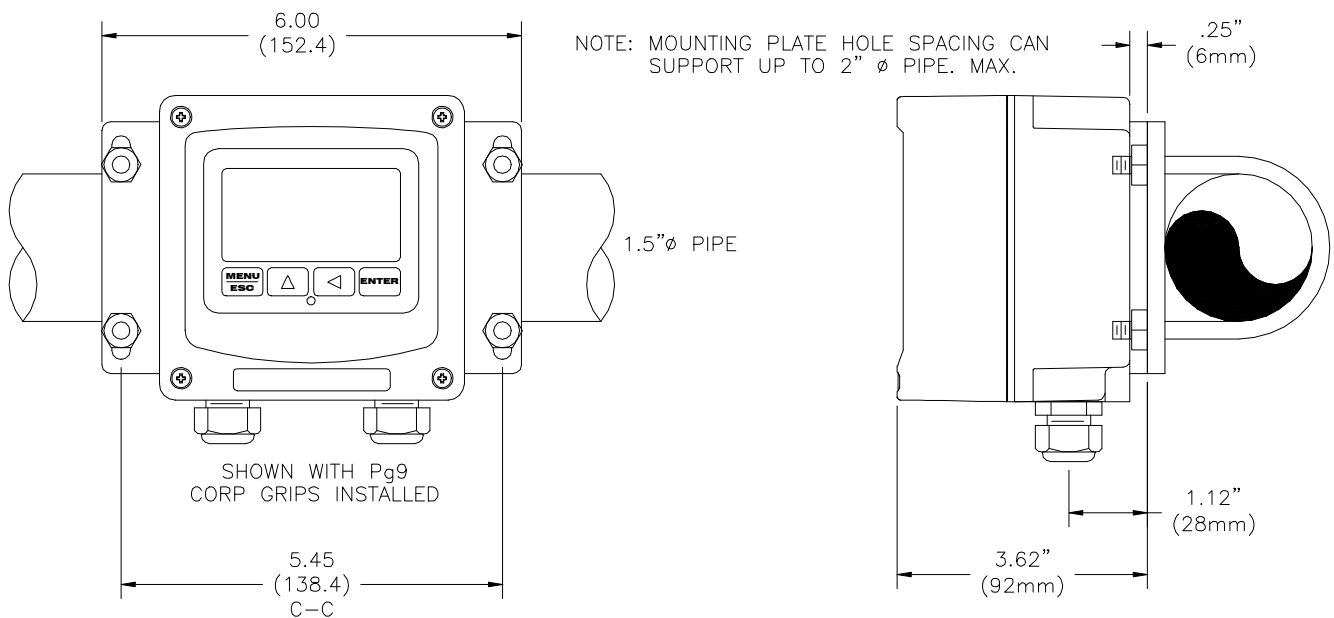
ATI-0688

WALL MOUNTING



ATI-1033

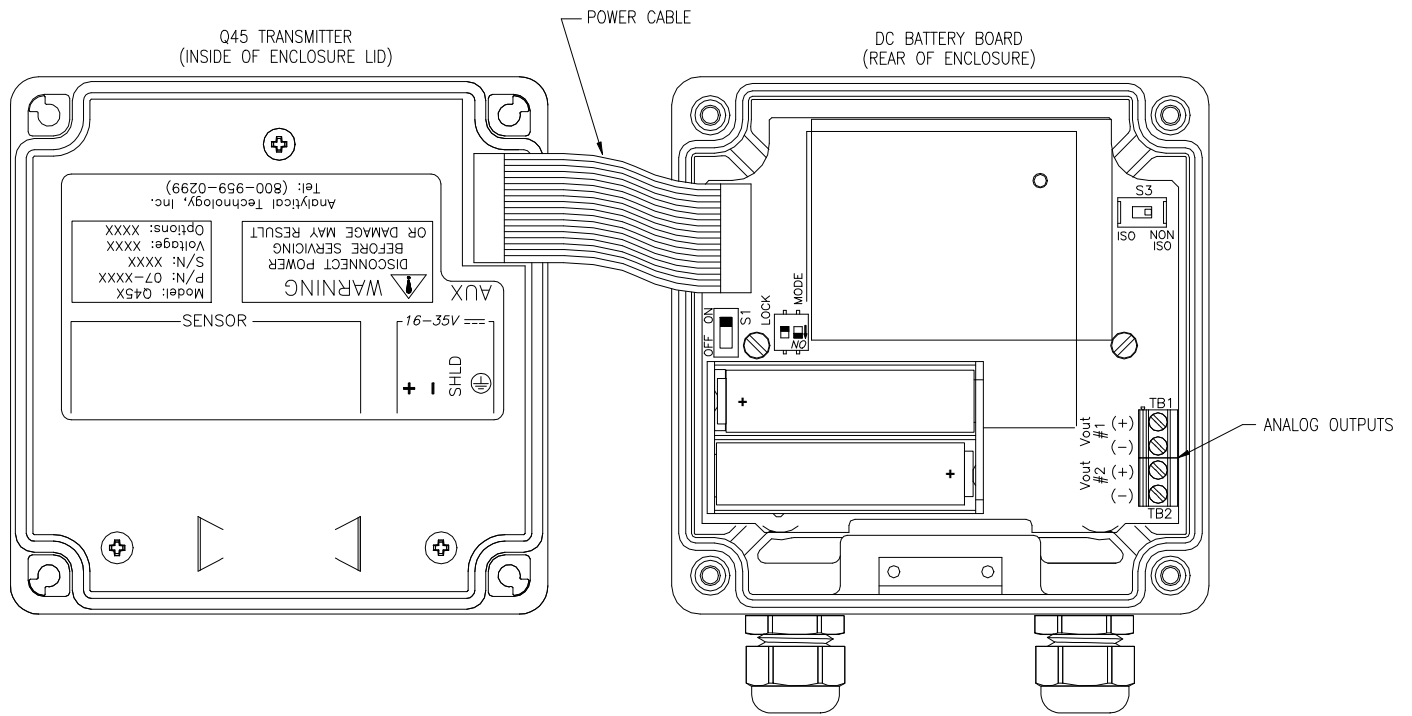
PIPE MOUNTING



NOTE: PLATE MAY BE TURNED 90° FOR VERTICAL PIPE MOUNTING

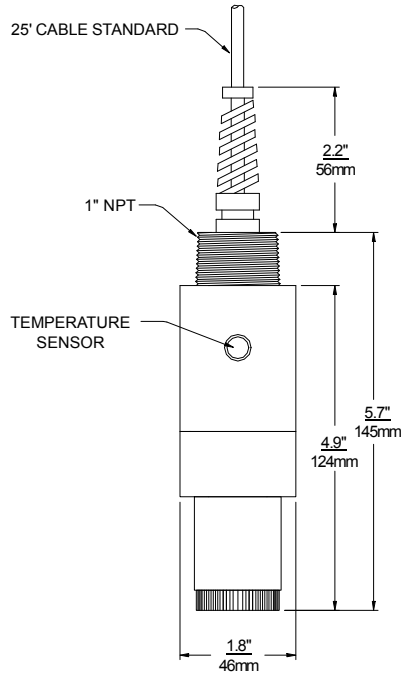
ATI-1034

INTERNAL BATTERY CONFIGURATION



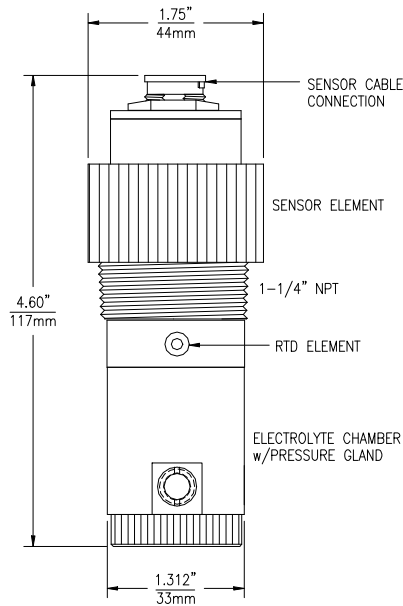
ATI-0827b

SUBMERSIBLE - MEMBRANED



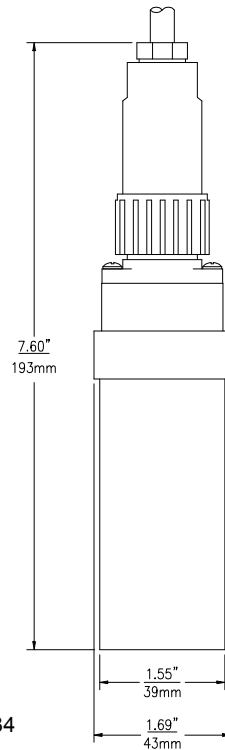
ATI-004

FLOW TYPE - MEMBRANED



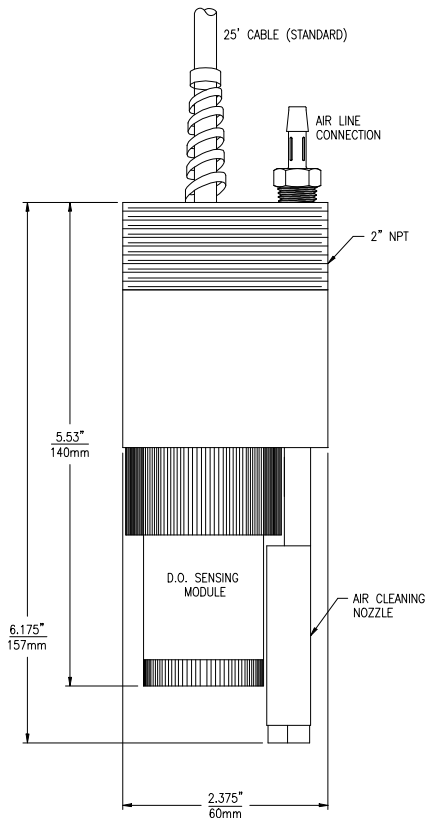
ATI-0994

FLOW TYPE - OPTICAL



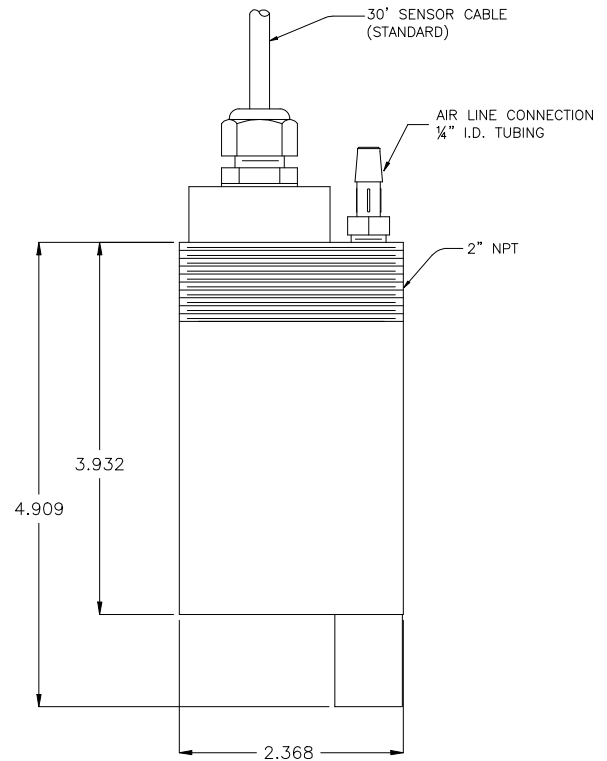
ATI-0434

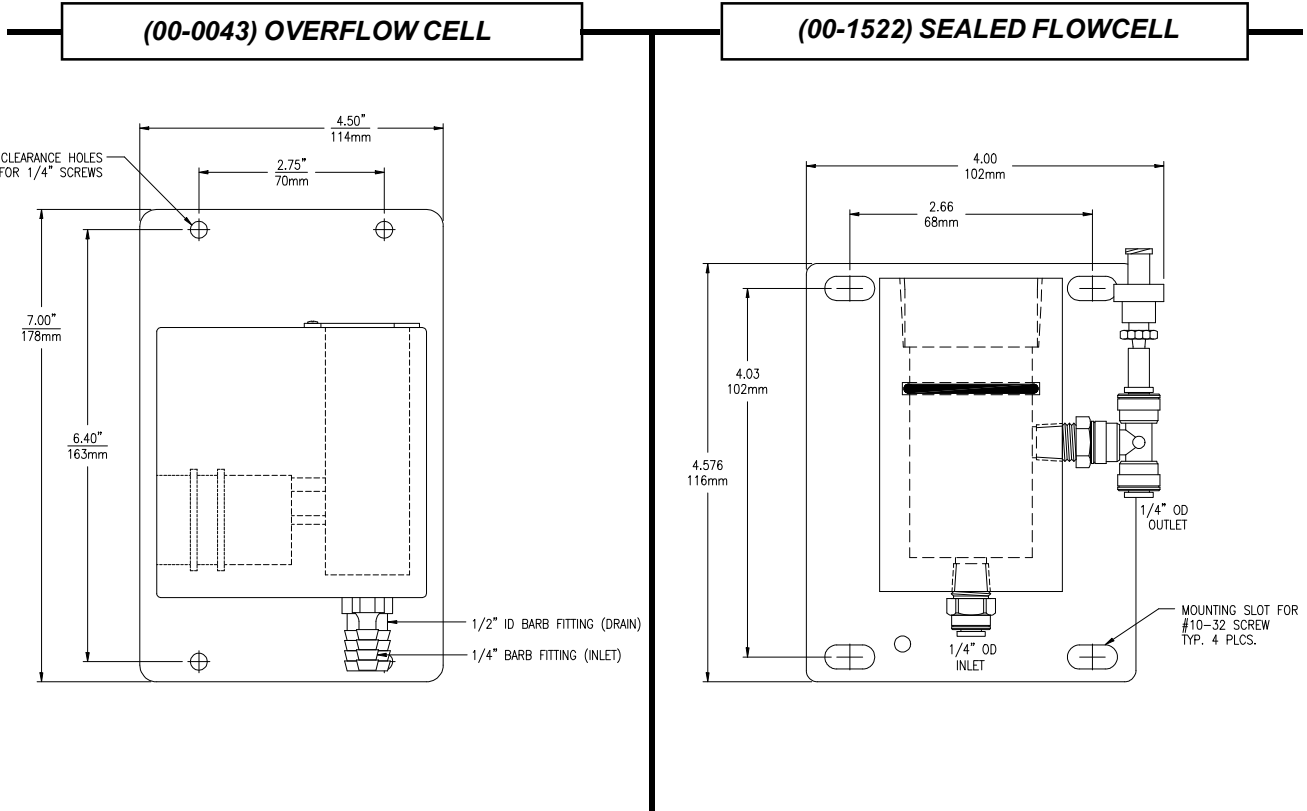
AUTOCLEAN - MEMBRANED



ATI-0870

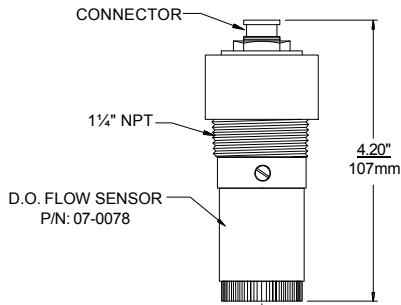
AUTOCLEAN - OPTICAL



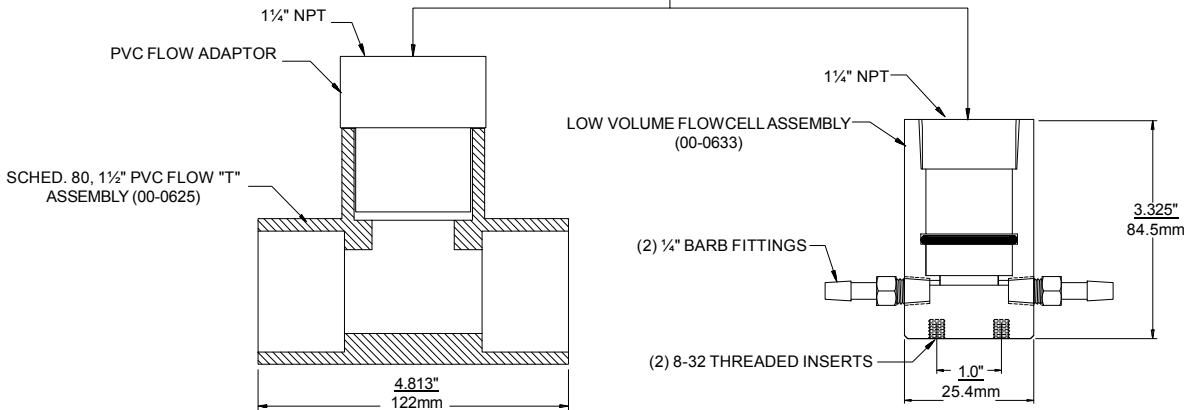


SPECIAL APPLICATION FLOWCELLS (CONSULT FACTORY)

- 1) Sensor Material:
Noryl EN265 & Stainless Steel
- 2) Connector is not submersible.
- 3) Outer diameter of sensor:
1.75" Dia.
44.5mm Dia.

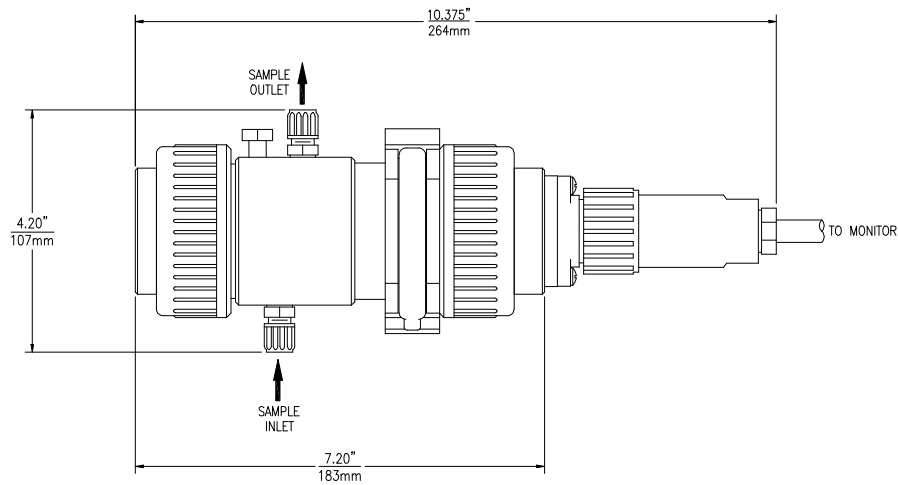


- Flow "T":
- 1) Max. 50 PSI for Flow "T" operation.
 - 2) Use Teflon tape to seal In-Line Sensor.
- Low Volume Flowcell:
- 1) Material: Clear Acrylic



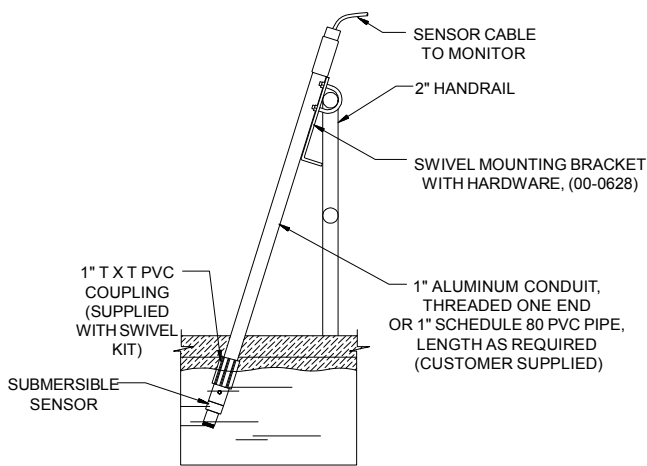
ATI-0197

OPTICAL SENSOR / FLOWCELL INSTALLATION DRAWING



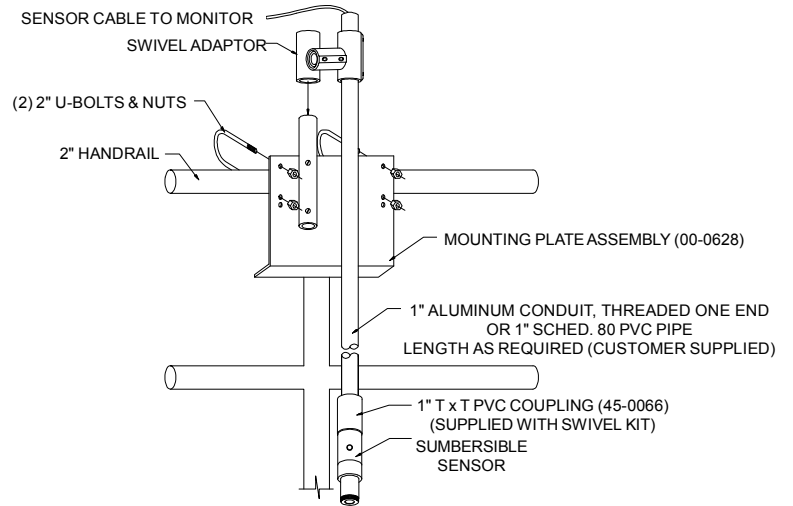
ATI-0444

SENSOR HANDRAIL MOUNTING



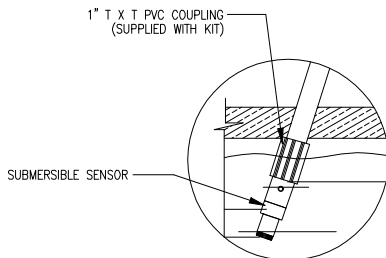
ATI-0188

SENSOR HANDRAIL INSTALLATION

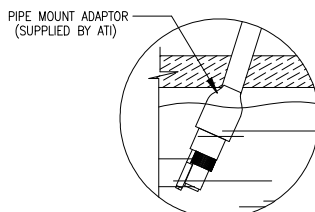


SUBMERSIBLE SENSOR MOUNTING OPTIONS

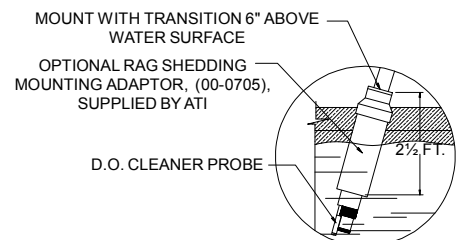
STANDARD SUBMERSIBLE (00-0628)



AUTOCLEAN SUBMERSIBLE (00-0624)

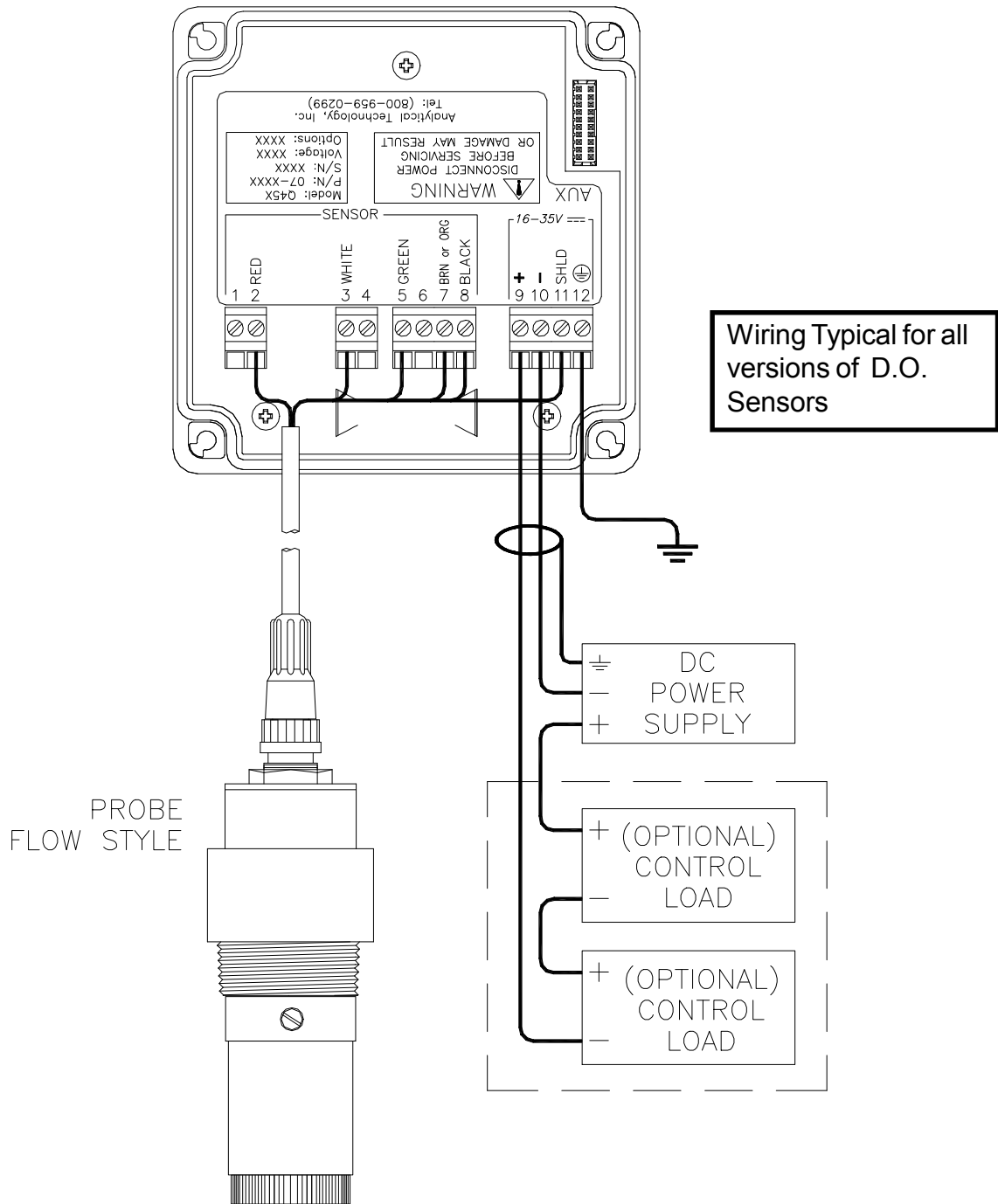


w/OPTIONAL RAG SHEDDER (00-0629)



ATI-0155

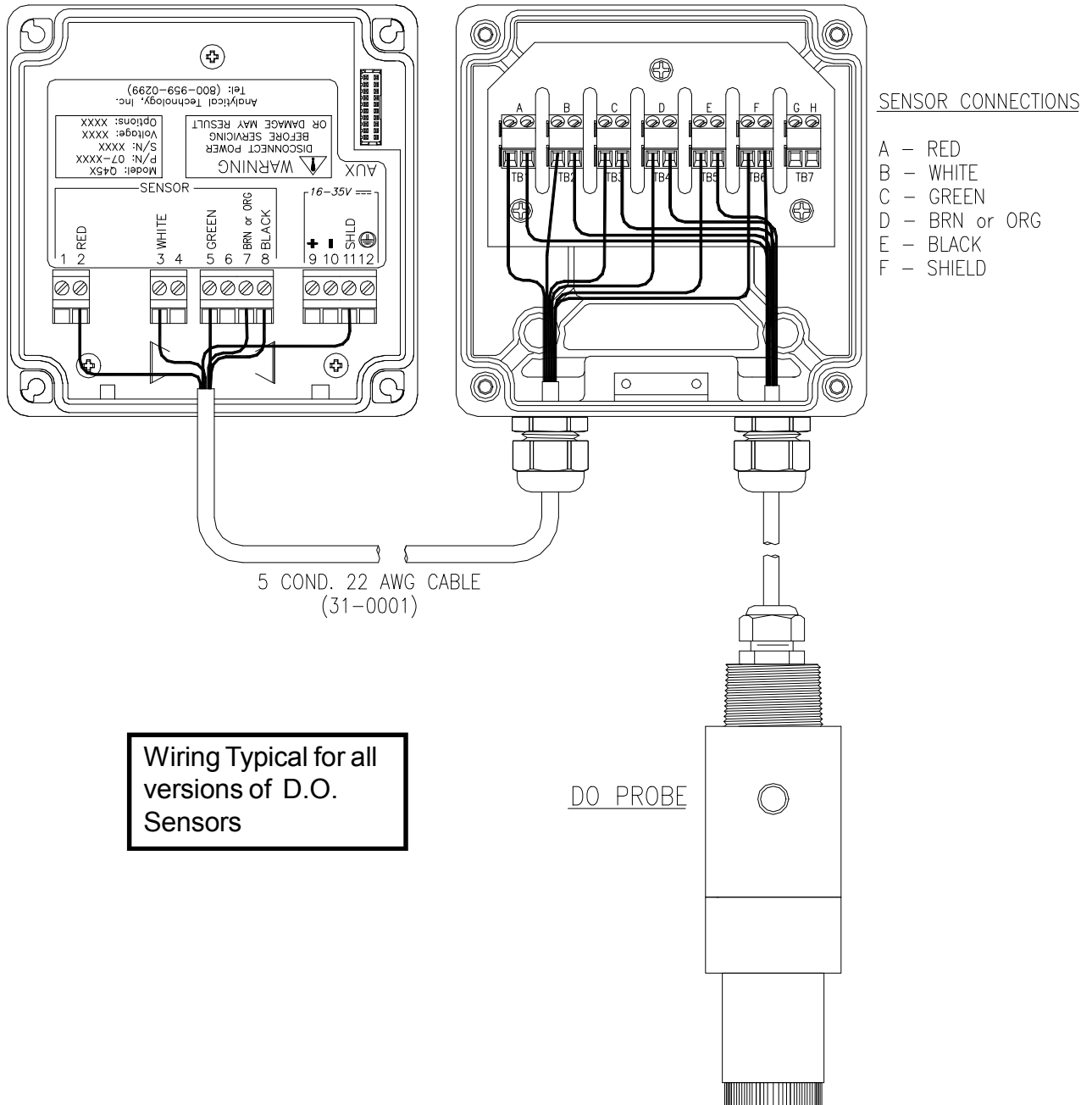
ELECTRICAL CONNECTIONS - 2-WIRE TRANSMITTER



- NOTES:**
1. Voltage between Terminals 9 & 10 MUST be between 16 & 35 VDC.
 2. Earth ground into Terminal 12 is HIGHLY recommended. This connection can greatly improve stability in electrically noisy environments.

SENSOR CONNECTIONS - REMOTE JUNCTION BOX

JUNCTION BOX
(07-0100)



ATI-0657