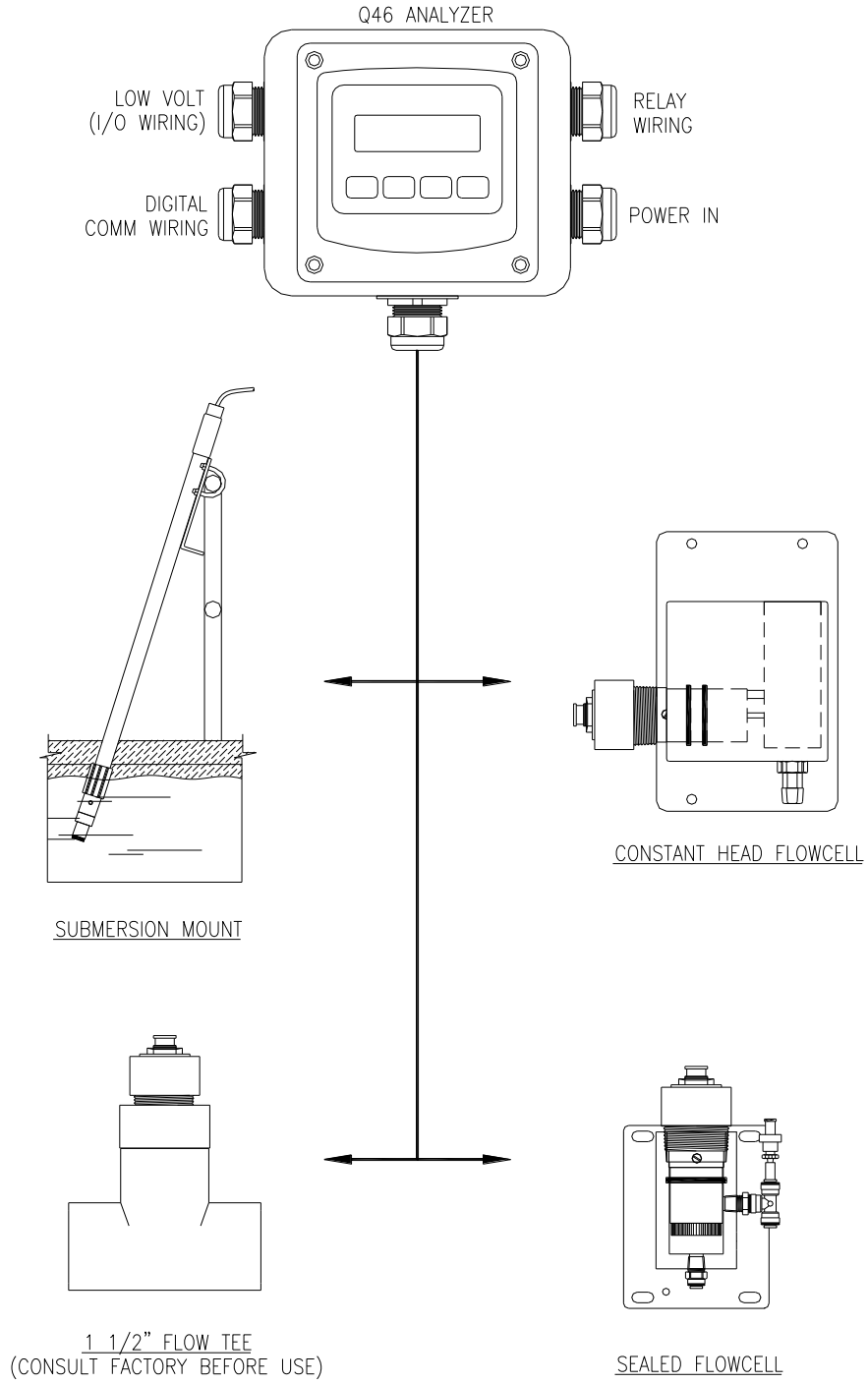
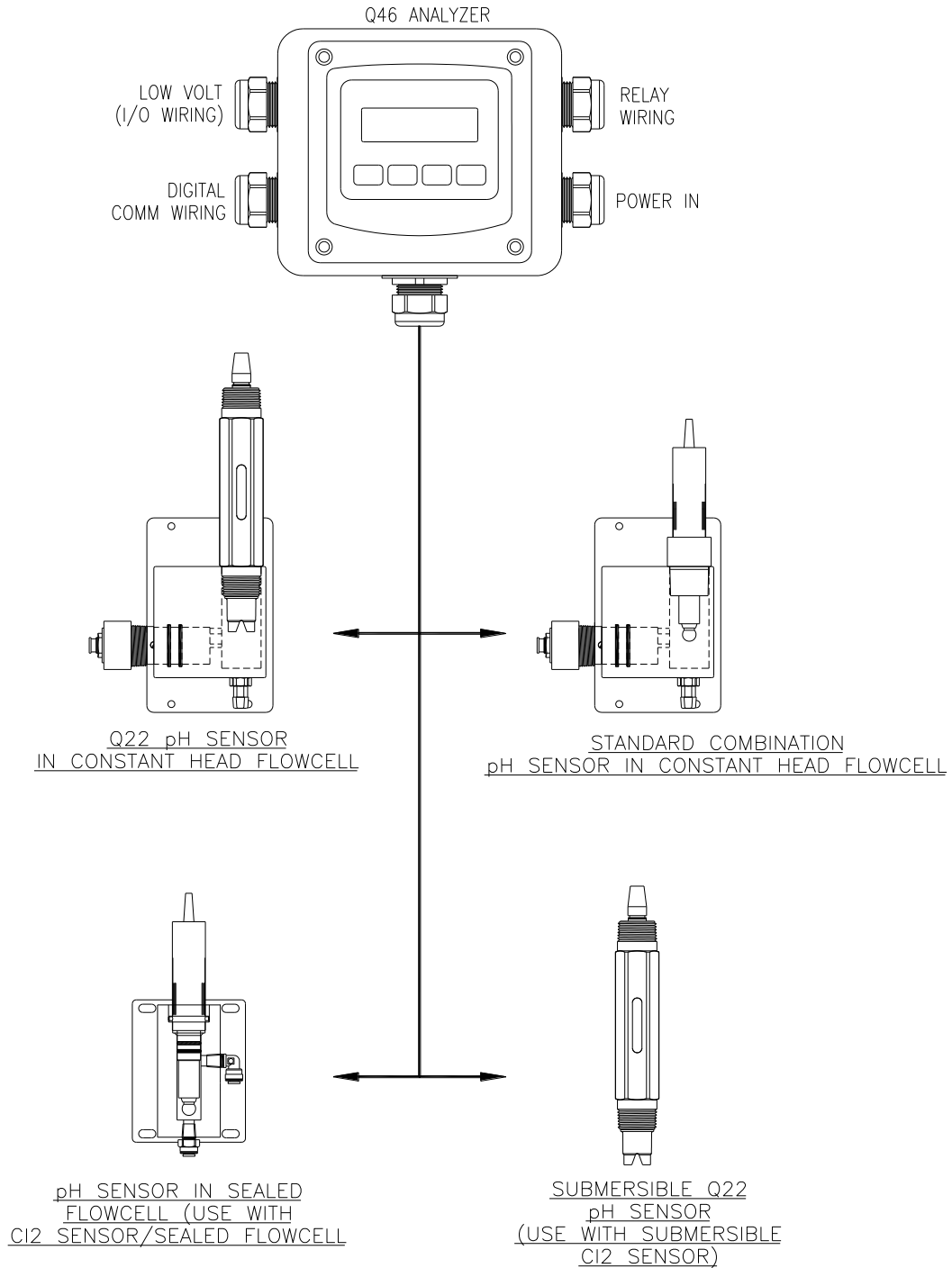


**INSTALLATION OPTIONS**

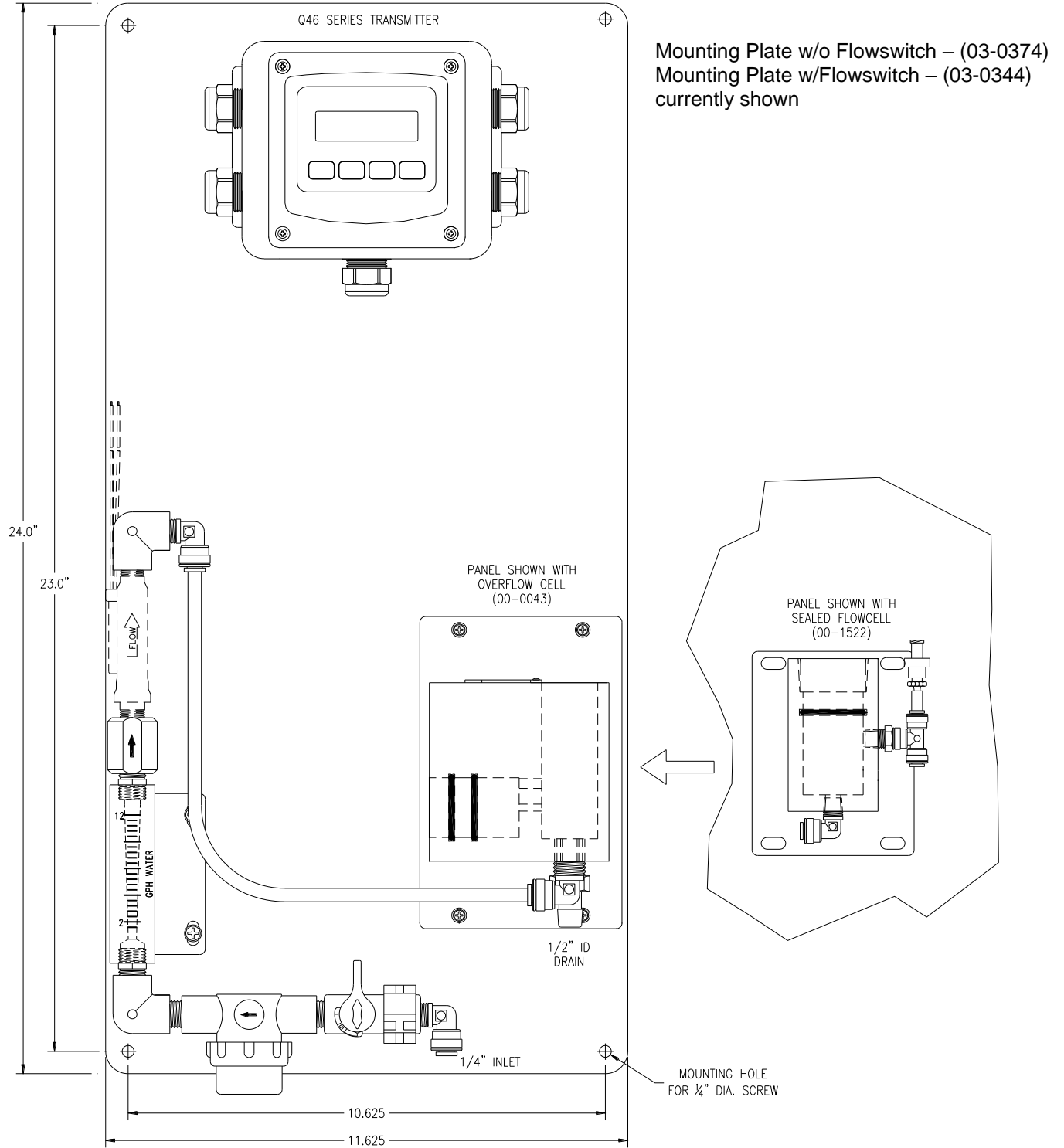


ATI-1086

**SECONDARY pH INPUT OPTIONS**



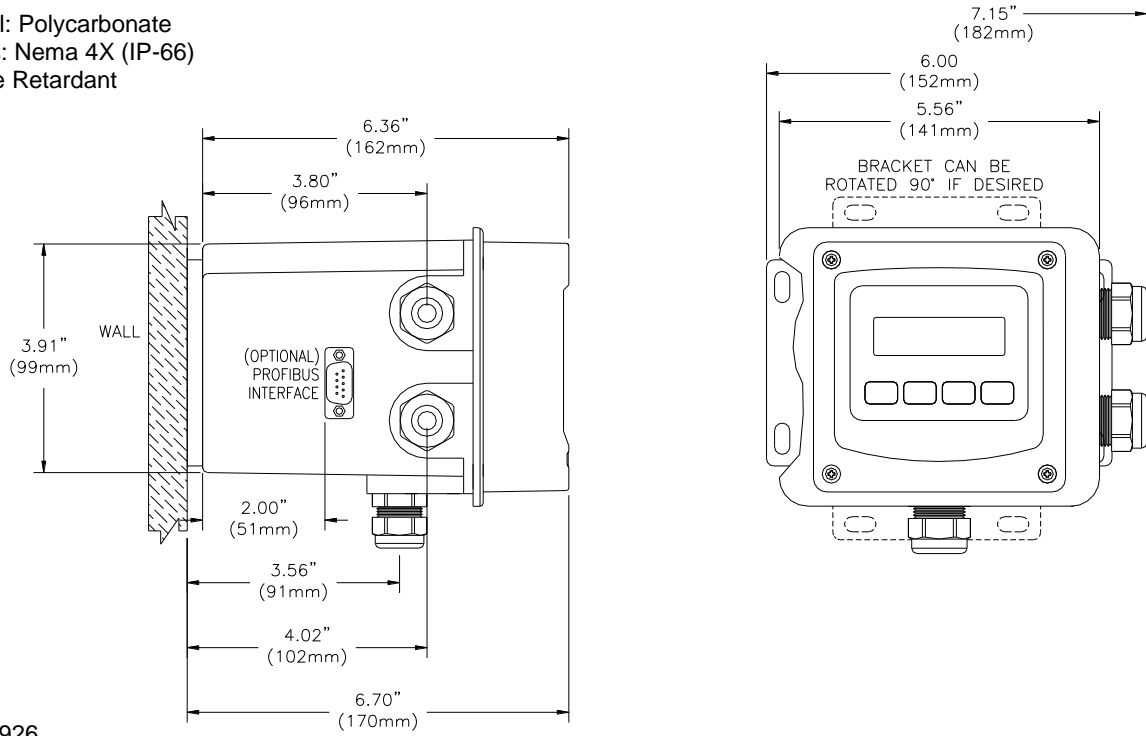
**SYSTEM MOUNTING PLATE ASSY**



ATI-1224

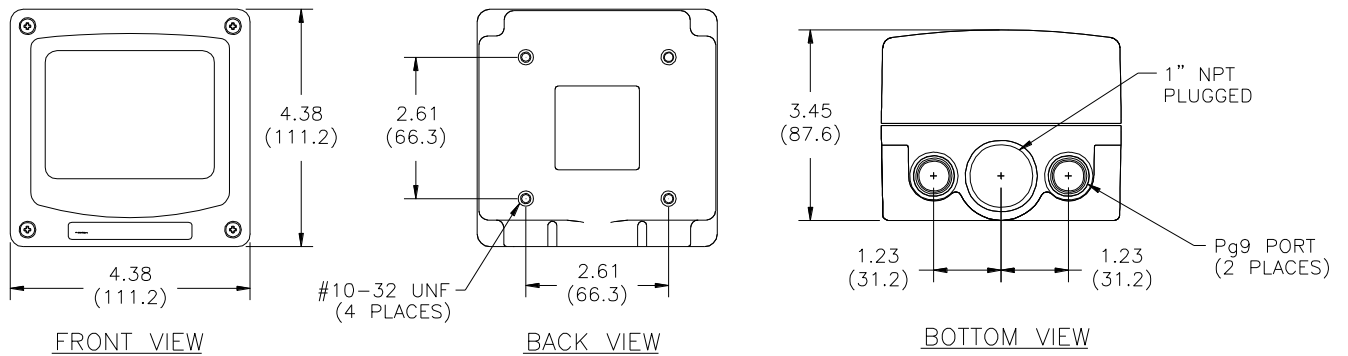
**ANALYZER DIMENSIONS (WALL MOUNT SHOWN)**

Material: Polycarbonate  
 Ratings: Nema 4X (IP-66)  
 V-0 Fire Retardant



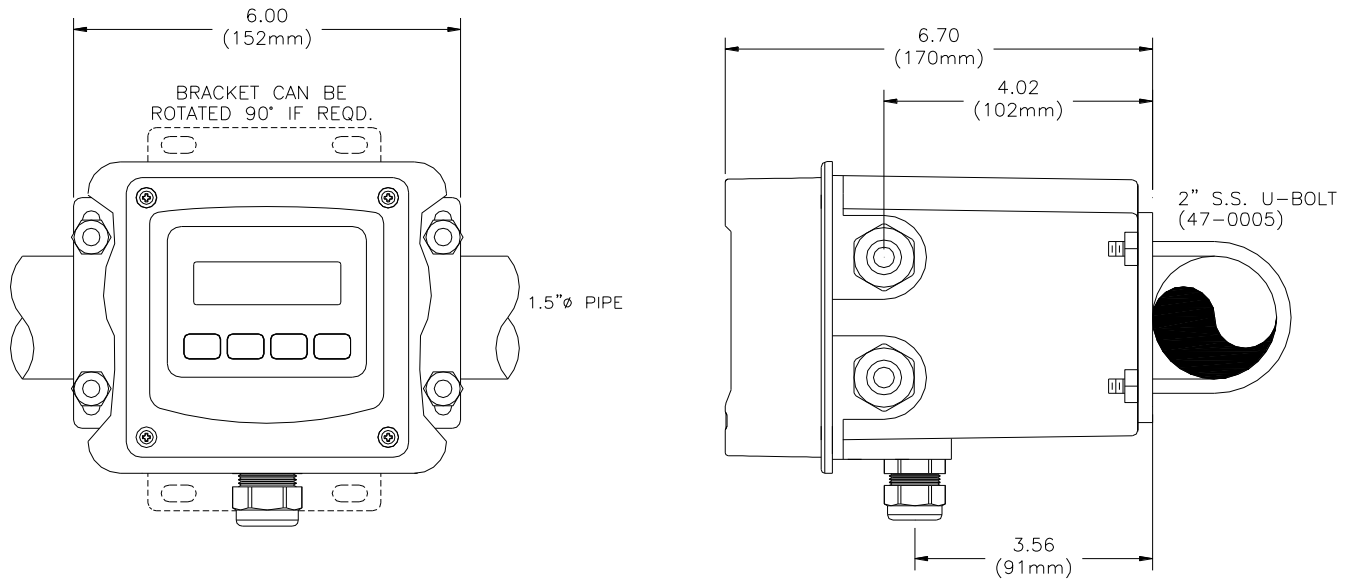
ATI-0926

**JUNCTION BOX**



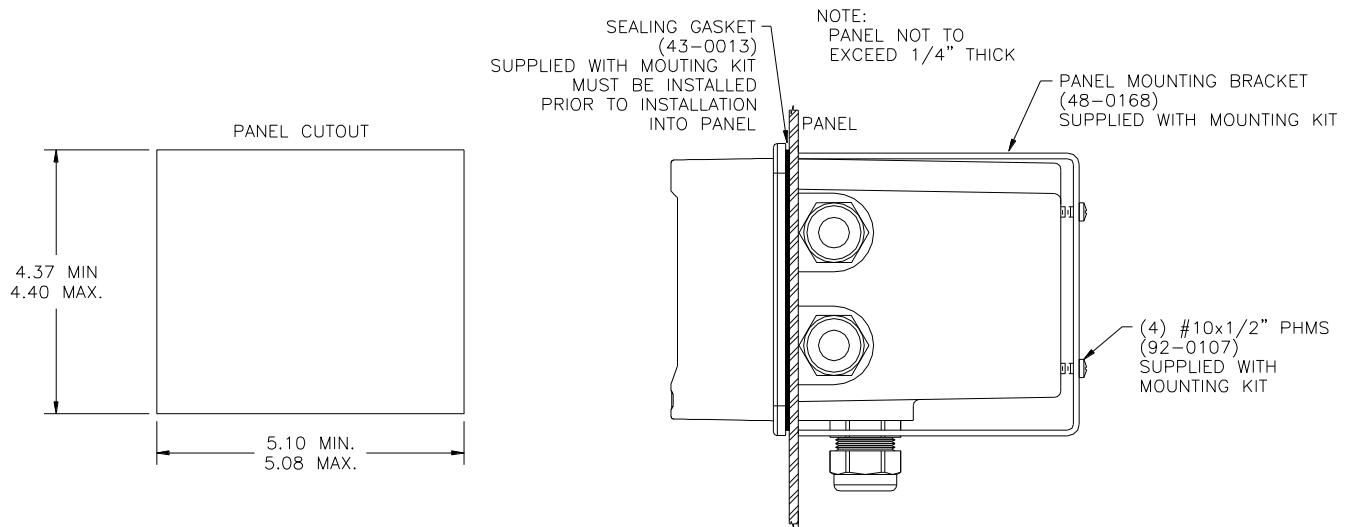
ATI-0655

**PIPE MOUNTING**



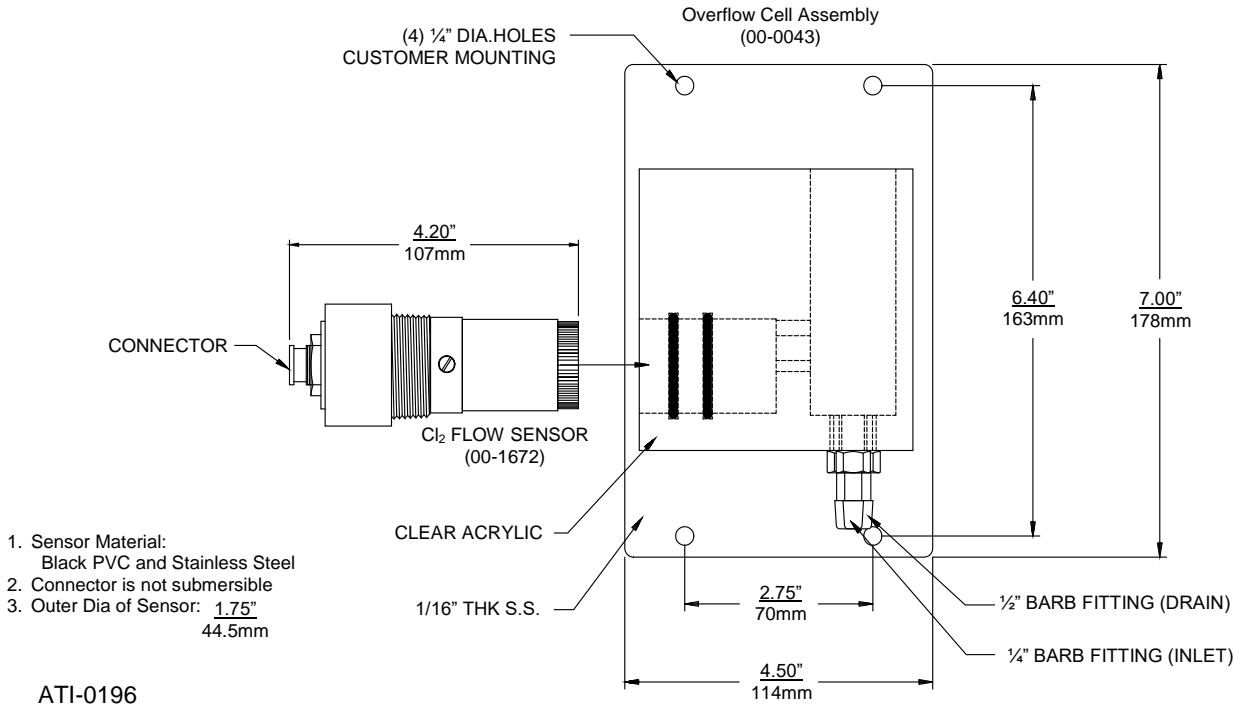
ATI-0927

**PANEL MOUNTING**



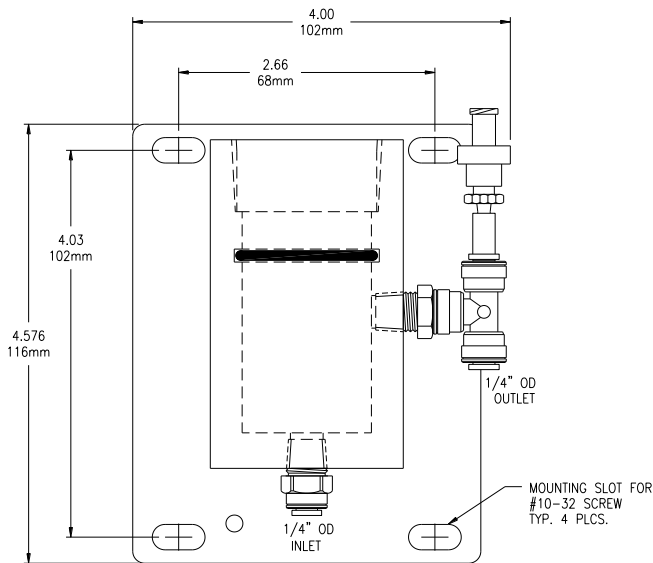
ATI-0928

**FLOW SENSOR DIMENSIONS & OVERFLOW CELL INSTALLATION**



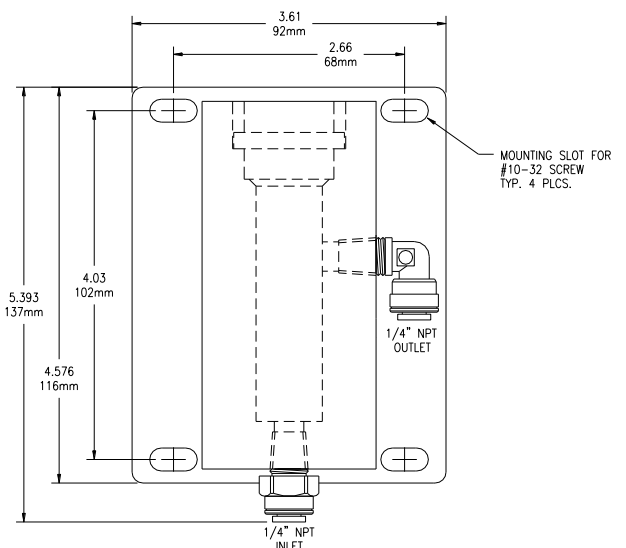
**Cl<sub>2</sub> SEALED FLOWCELL ASSY  
(00-1522)**

Material: Acrylic  
Mounting Plate: PVC



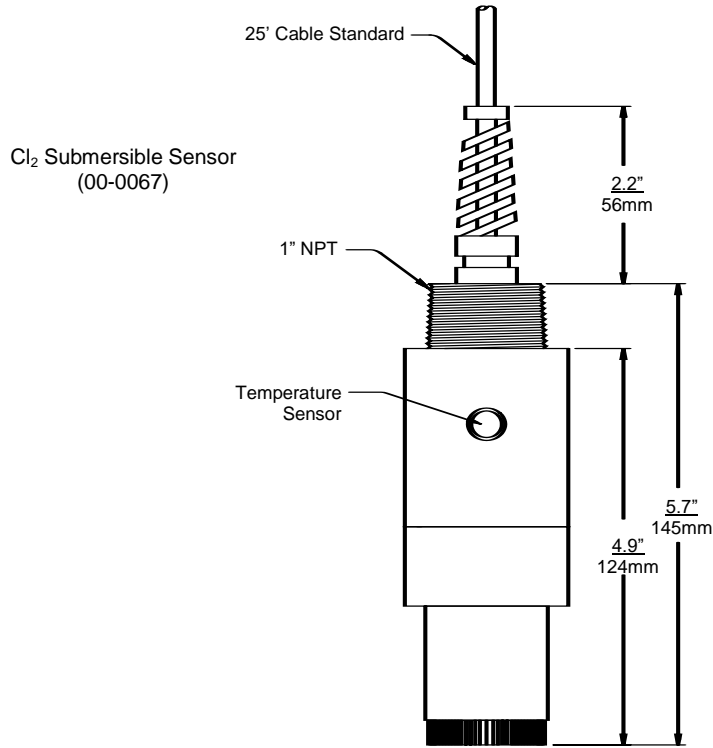
**pH SEALED FLOWCELL ASSY  
(00-1527)**

Material: Acrylic  
Mounting Plate: PVC

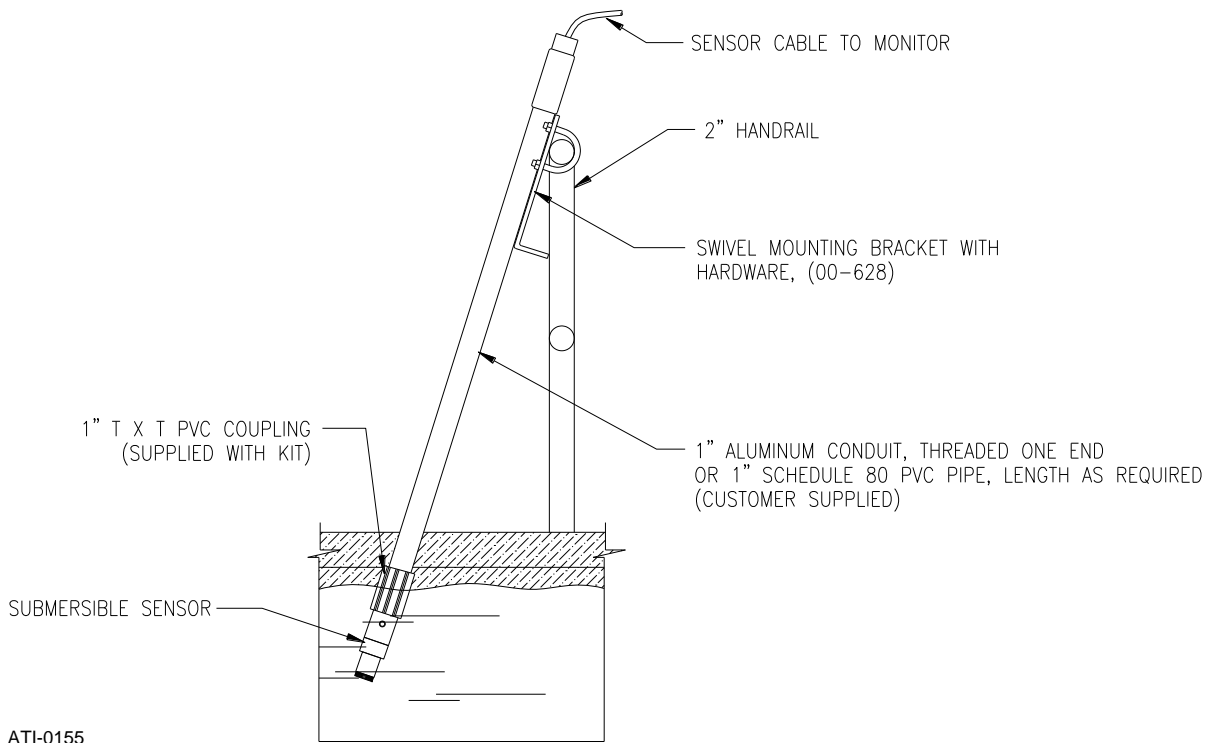




**SUBMERSIBLE SENSOR DIMENSIONS**

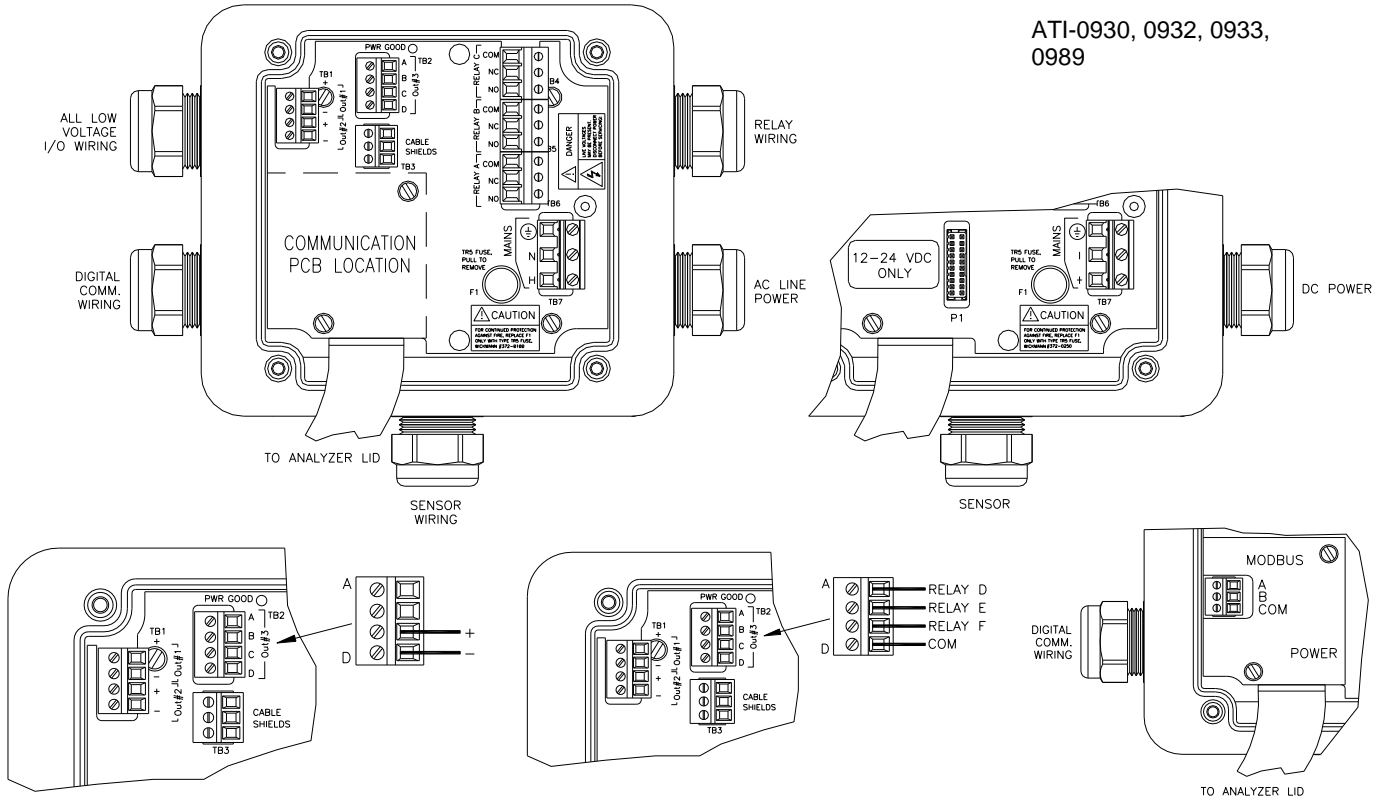


**SUBMERSIBLE SENSOR INSTALLATION**

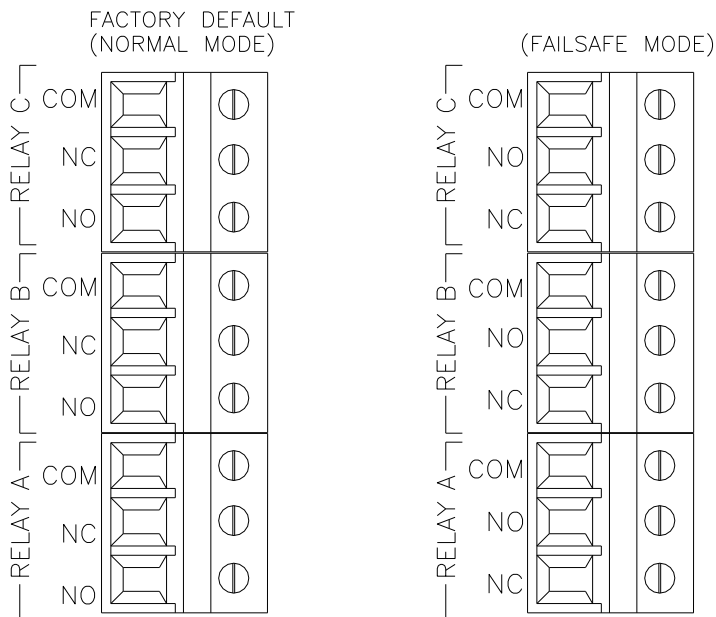




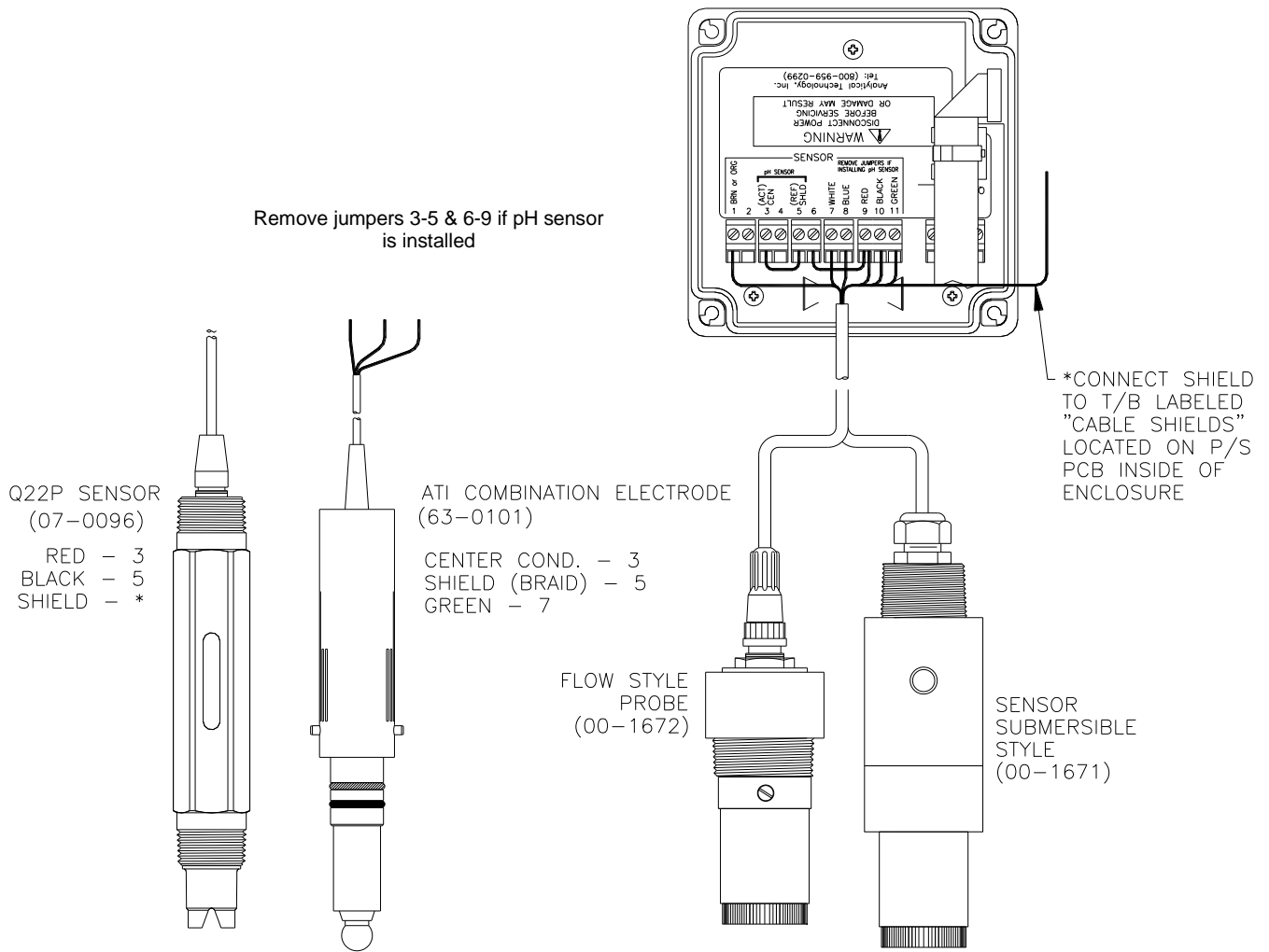
**POWER, RELAY, AND OUTPUT CONNECTIONS**



**RELAY WIRING TB4,5,6 DETAIL**

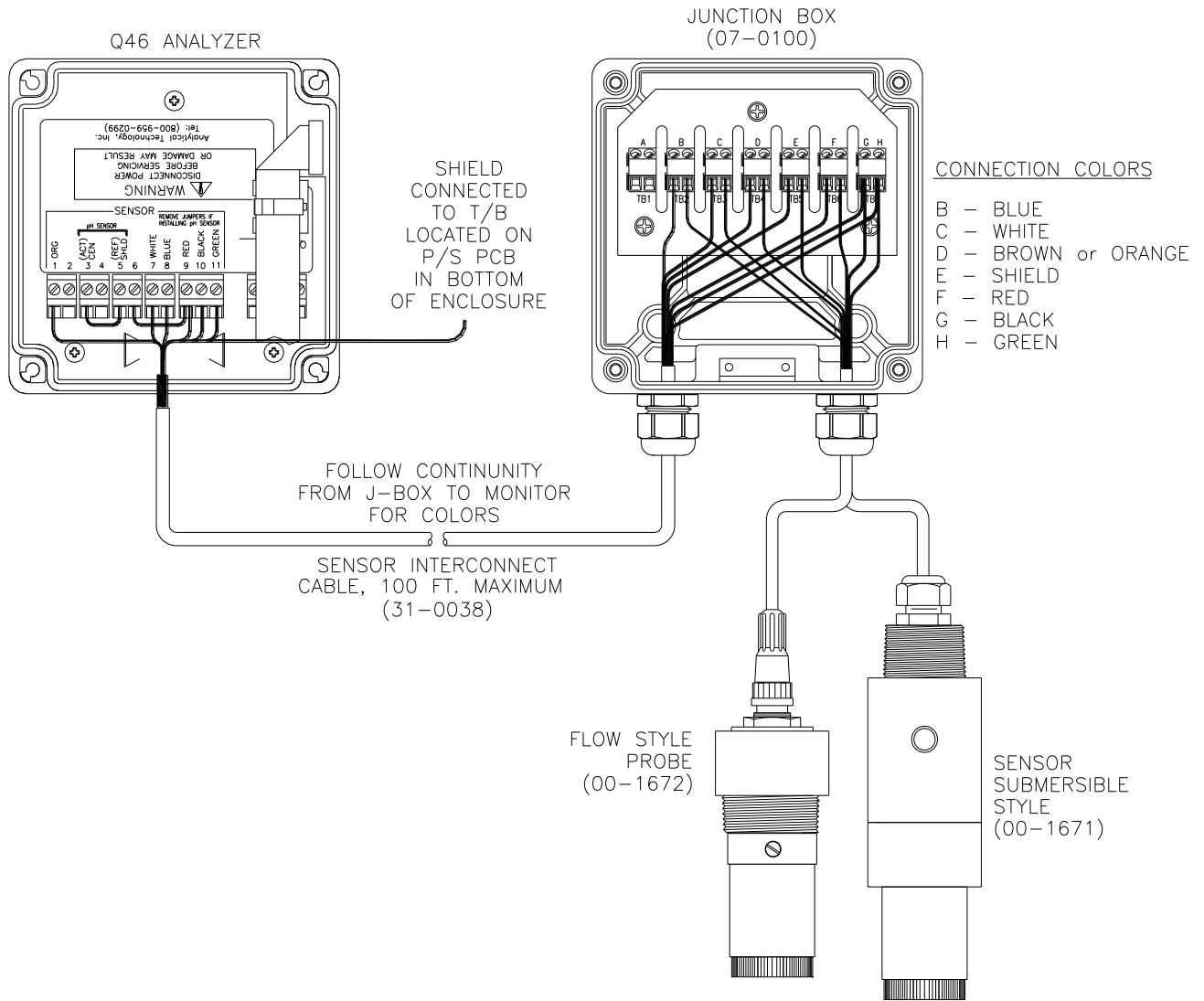


**ELECTRICAL CONNECTIONS**



ATI-1088

**SENSOR CONNECTIONS – REMOTE JUNCTION BOX**



ATI-1089