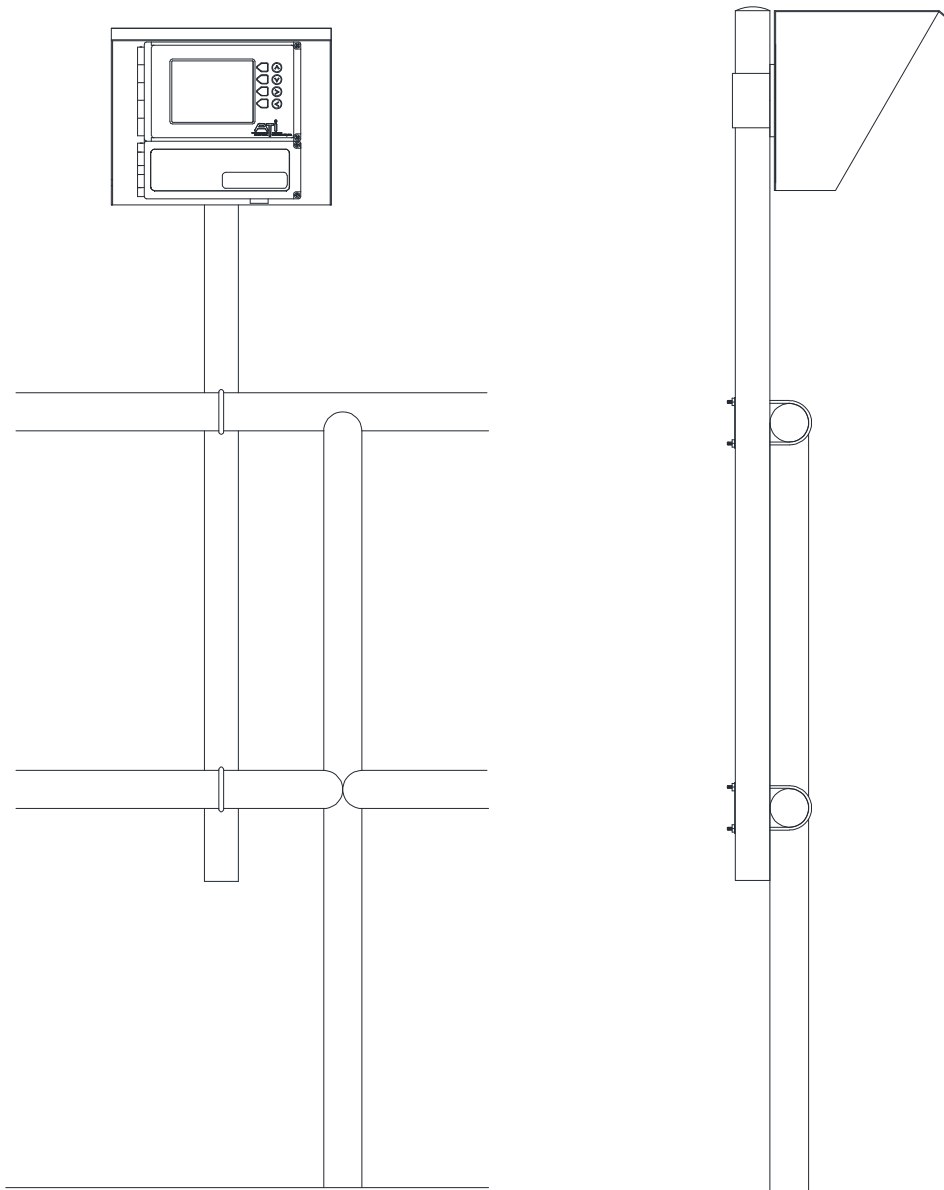
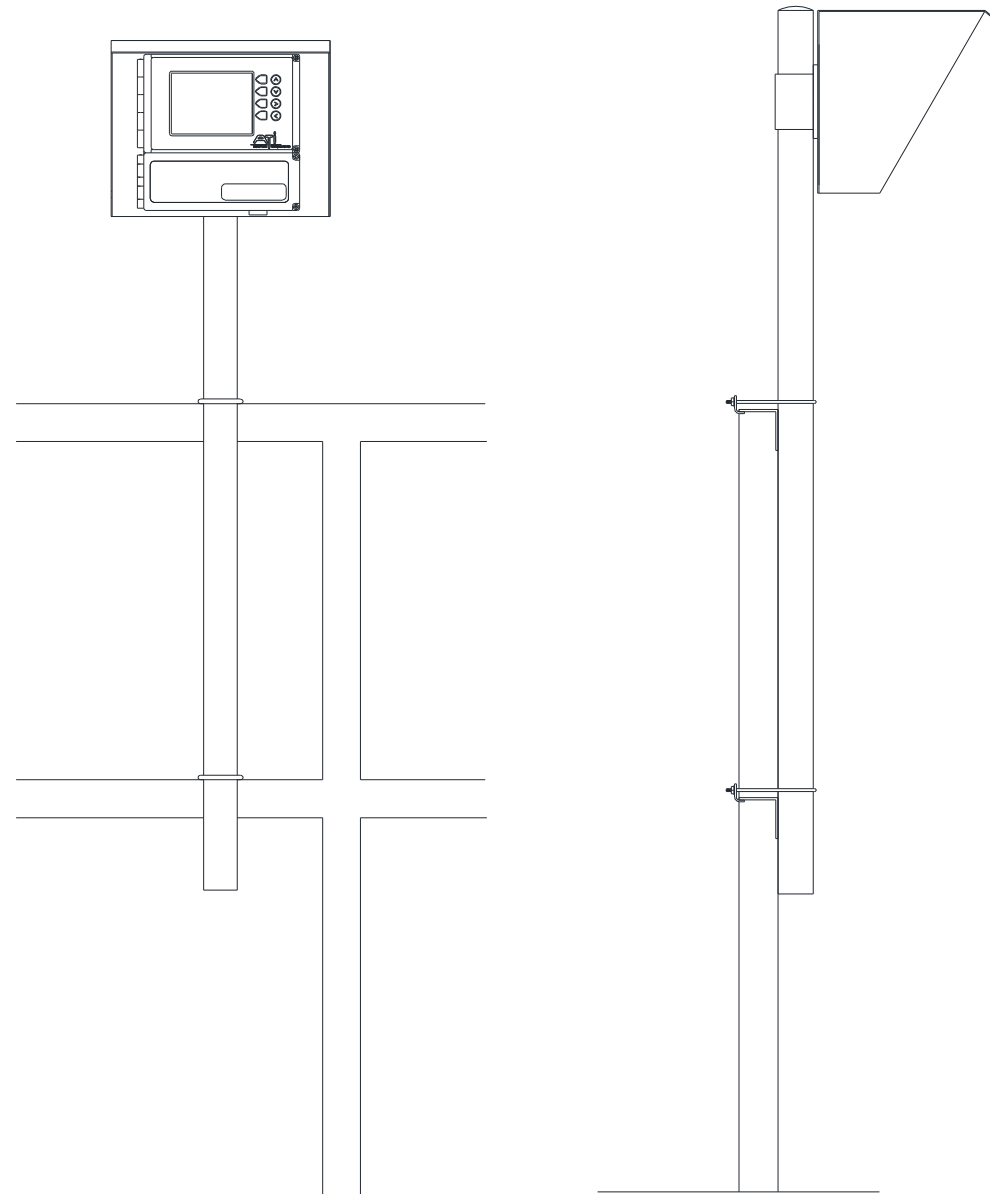


WEATHERSHIELD INSTALLATION FOR ROUND GUARDRAIL

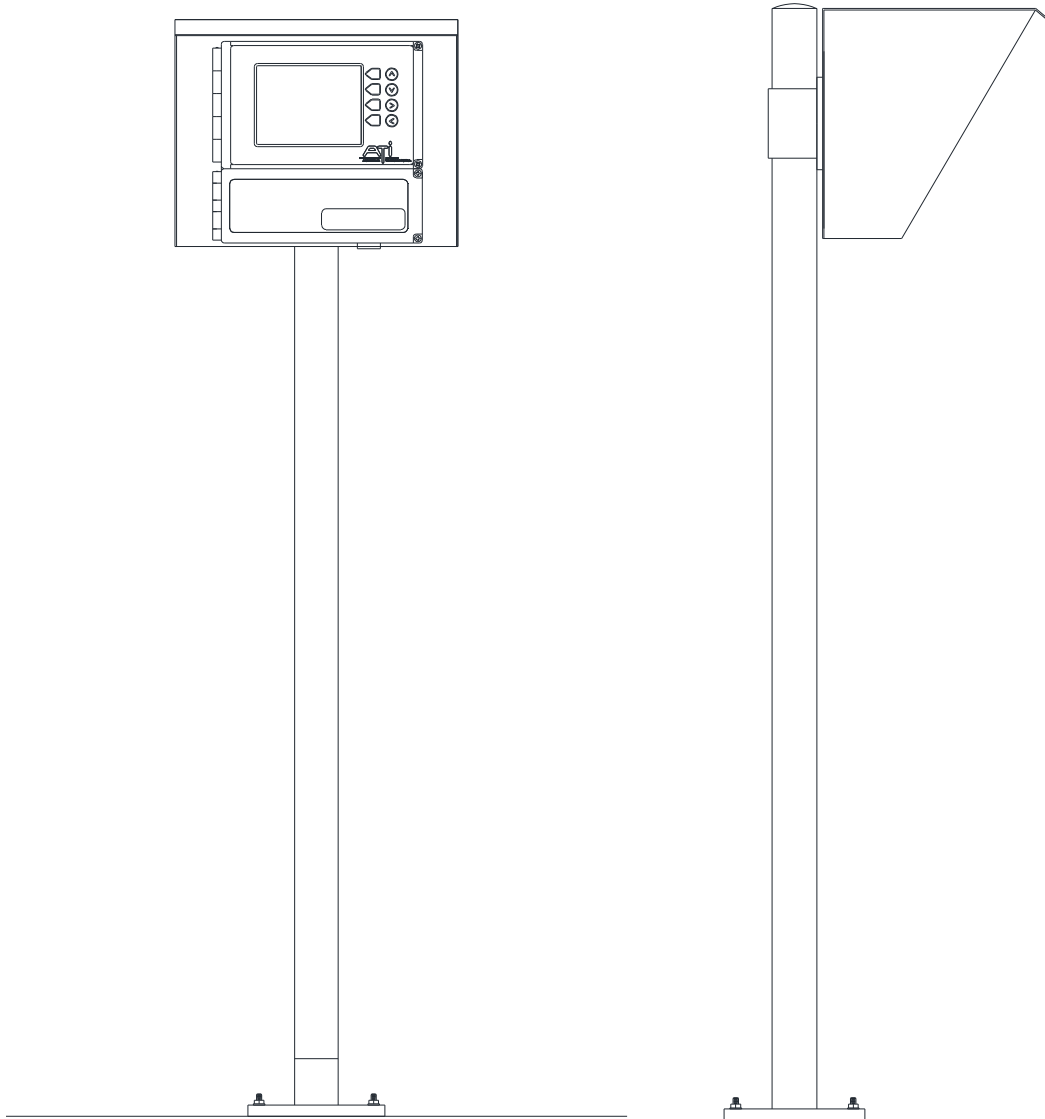


Material:
Aluminum

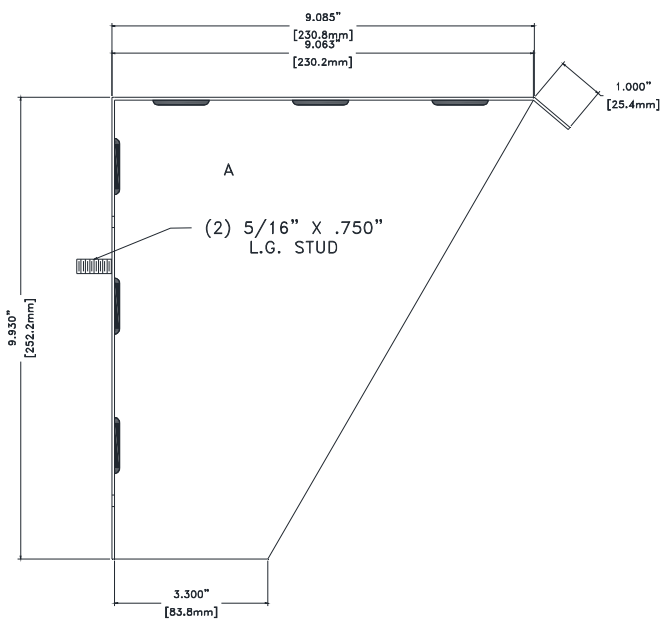
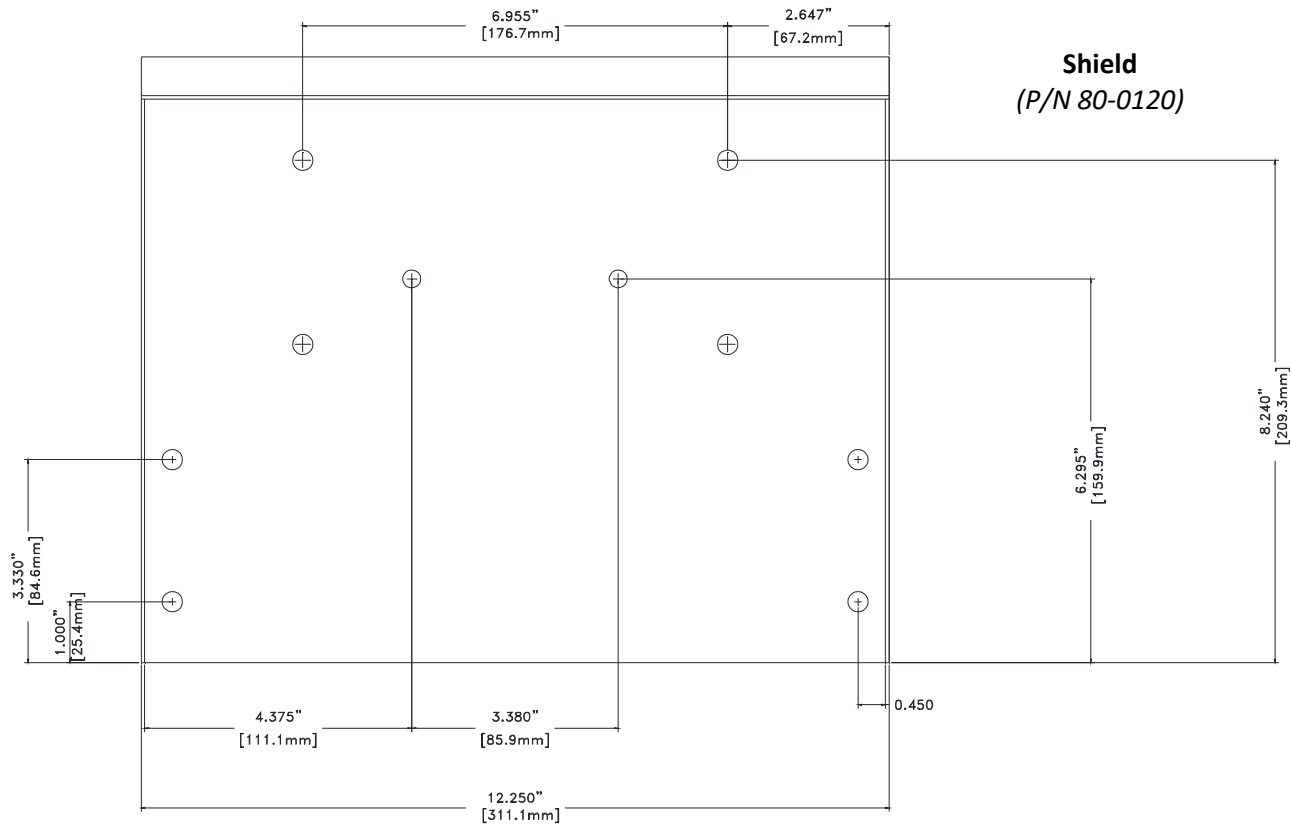
WEATHERSHIELD INSTALLATION FOR SQUARE GUARDRAIL



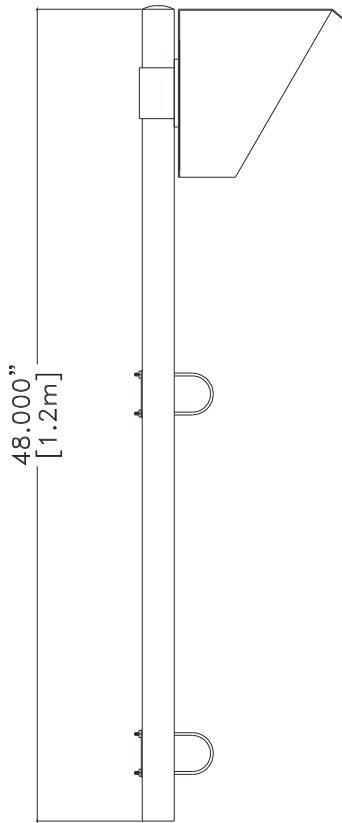
WEATHERSHIELD INSTALLATION FOR FLOOR MOUNT



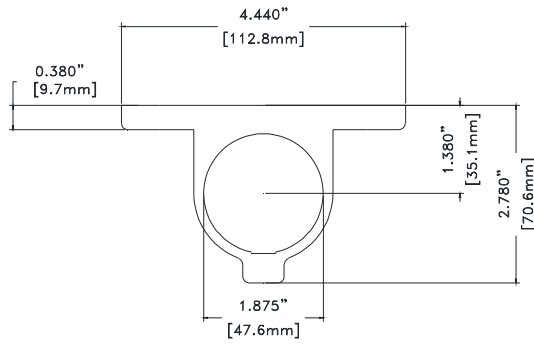
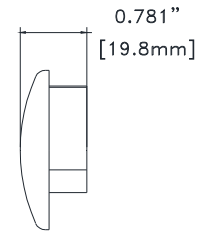
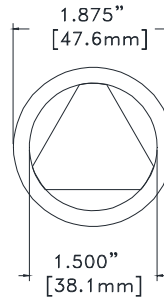
COMPONENT DIMENSIONAL DRAWINGS



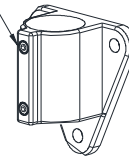
Pipe
(P/N 48-0211)



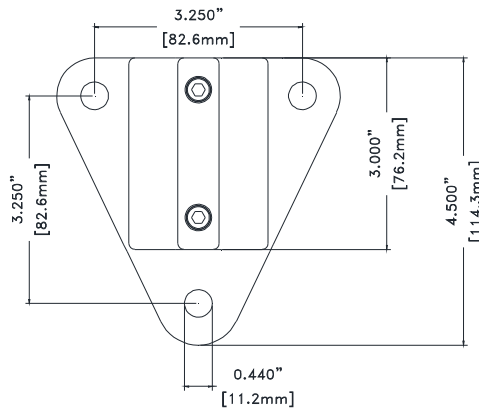
Pipe Cap
(P/N 47-0127)

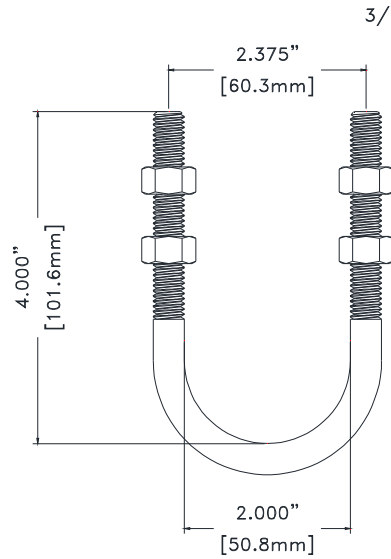


3/8"-16 x 7/16"
SET SCREW
3/16" HEX

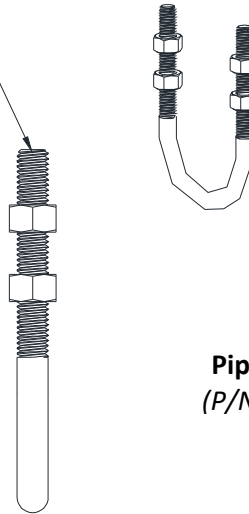


Slip-on Rail Fitting
(P/N 47-0125)

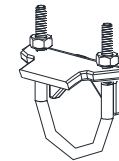
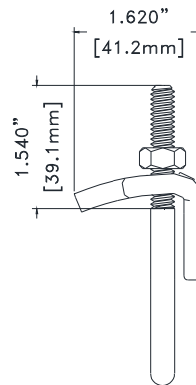
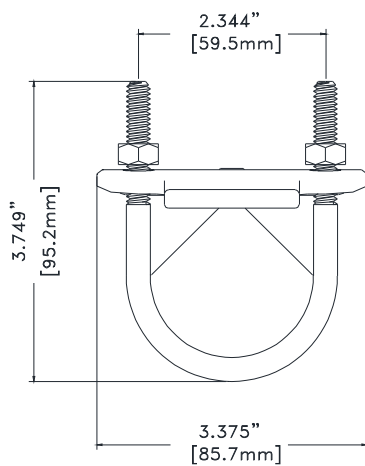




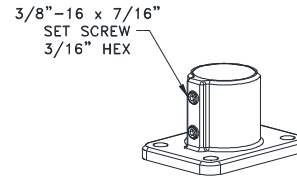
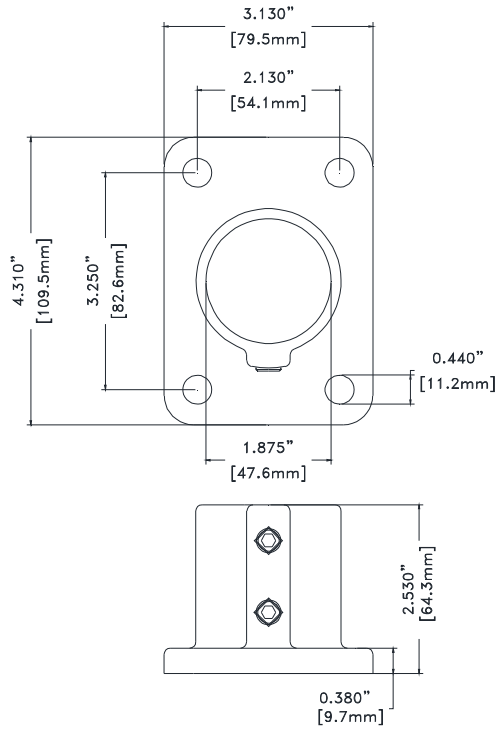
3/8"-16 THREAD



Pipe U-bolts
(P/N 47-0126)



Beam Pipe Clamp
(P/N 47-0129)



**Slip-on Rail
Floor Mount
(P/N 47-0130)**

Weathershield Configurations

Component	Round	Square	Floor
Shield	•	•	•
Pipe	•	•	•
Pipe Cap	•	•	•
Slip-on Rail Fitting	•	•	•
Pipe U-bolts	•		
Beam Pipe Clamp		•	
Slip-on Rail Floor Mount			•