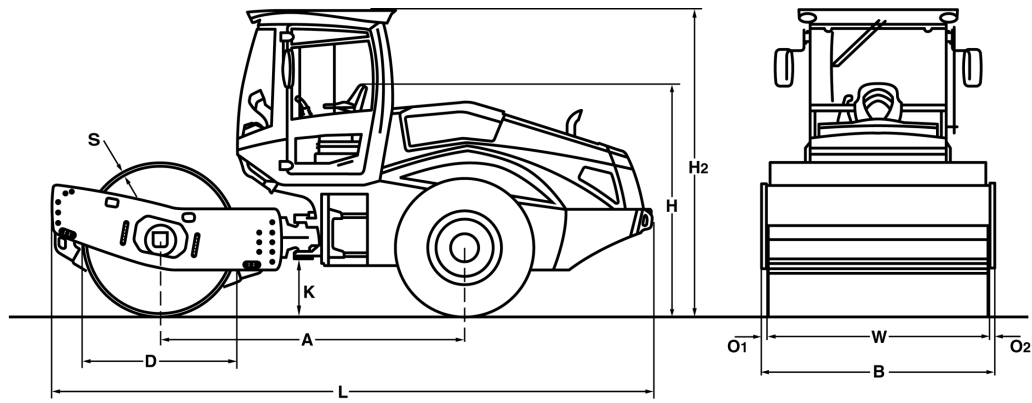


TECHNICAL DATA

SINGLE DRUM ROLLERS

BW 211 D-5, BW 211 PD-5





Dimensions in mm

| | A | B | D | H | H2 | K | L | O1 | O2 | S | W |
|--------------------|----------|----------|----------|----------|-----------|----------|----------|-----------|-----------|----------|----------|
| BW 211 D-5 | 2975 | 2270 | 1500 | 2260 | 2990 | 490 | 5870 | 70 | 70 | 25 | 2130 |
| BW 211 PD-5 | 2975 | 2270 | 1480 | 2260 | 2990 | 490 | 5870 | 70 | 70 | 25 | 2130 |

Shipping dimensions in m3

BW 211 D-5
BW 211 PD-5

without ROPS

30,114
30,114

with ROPS

39,841
39,841

| Machine type | Compaction output (m3/h) | | | |
|---------------------|---------------------------------|---------------------|-------------------|-------------------|
| | Rock fill | Gravel, sand | Mixed soil | Silt, clay |
| BW 211 D-5 | 400-800 | 270-540 | 220-440 | 110-220 |
| BW 211 PD-5 | 400-800 | 270-540 | 220-440 | 160-320 |

| Machine type | Compacted layer thickness (m) | | | |
|---------------------|--------------------------------------|---------------------|-------------------|-------------------|
| | Rock fill | Gravel, sand | Mixed soil | Silt, clay |
| BW 211 D-5 | 0,70 | 0,50 | 0,40 | 0,20 |
| BW 211 PD-5 | 0,70 | 0,50 | 0,40 | 0,25 |

Technical Data**BOMAG
BW 211 D-5****BOMAG
BW 211 PD-5****Weights**

| | | | |
|---|-------|--------|--------|
| Grossweight | kg | 12.890 | 12.750 |
| Operating weight CECE w. ROPS-cabin | kg | 10.600 | 12.100 |
| Axle load, drum CECE | kg | 5.670 | 7.170 |
| Axle load, wheels CECE | kg | 4.930 | 4.930 |
| Static linear load CECE | kg/cm | 26,6 | |

Dimensions

| | | | |
|---------------------------|----|-------|-------|
| Working width | mm | 2.130 | 2.130 |
| Track radius, inner | mm | 3.680 | 3.680 |

Driving Characteristics

| | | | |
|---|------|---------|---------|
| Speed (1) | km/h | 0- 5,0 | 0- 5,0 |
| Speed (2) | km/h | 0- 6,0 | 0- 6,0 |
| Speed (3) | km/h | 0- 8,0 | 0- 8,0 |
| Speed (4) | km/h | 0- 11,0 | 0- 11,0 |
| Max. gradeability without/with vibr. | % | 51/48 | 54/51 |

Drive

| | | | |
|----------------------------------|-------|-------------|-------------|
| Engine manufacturer | | Deutz | Deutz |
| Type | | TCD 3.6 L4 | TCD 3.6 L4 |
| Emission stage | | Stage V | Stage V |
| Exhaust gas aftertreatment | | DOC+DPF+SCR | DOC+DPF+SCR |
| Cooling | | Liquid | Liquid |
| Number of cylinders | | 4 | 4 |
| Performance ISO 3046 | kW | 95,0 | 95,0 |
| Performance SAE J 1995 | hp | 128,0 | 128,0 |
| Speed | min-1 | 2.000 | 2.000 |
| Fuel | | Diesel | Diesel |
| Electric equipment | V | 12 | 12 |
| Drive system | | hydrost. | hydrost. |
| Drum driven | | standard | standard |

Drums and Tyres

| | | | |
|----------------------------|-----------------|--------------|--------------|
| Number of pad feet | | | 150 |
| Area of one pad foot | cm ² | | 137 |
| Height of pad feet | mm | | 100 |
| Tyre size | | 23.1-26 12PR | 23.1-26 12PR |

Brakes

| | | | |
|---------------------|--|-----------|-----------|
| Service brake | | hydrost. | hydrost. |
| Parking brake | | hydromec. | hydromec. |

Steering

| | | | |
|--|------|--------------|--------------|
| Steering system | | oscil.artic. | oscil.artic. |
| Steering method | | hydrost. | hydrost. |
| Steering / oscillating angle +/- | grad | 35/12 | 35/12 |

Exciter system

| | | | |
|-------------------------|----|-----------|-----------|
| Drive system | | hydrost. | hydrost. |
| Frequency | Hz | 30/34 | 30/34 |
| Amplitude | mm | 1,95/1,00 | 1,70/0,90 |
| Centrifugal force | kN | 240/158 | 285/194 |
| Centrifugal force | t | 24,5/16,1 | 29,1/19,8 |

Capacities

| | | | |
|------------|---|-------|-------|
| Fuel | l | 250,0 | 250,0 |
|------------|---|-------|-------|

Technical modifications reserved. Machines may be shown with options.

Standard Equipment

- BOMAG ECOMODE
- Self locking differential
- Rear axle with twin spring accumulator brakes
- Hydrostatic travel and vibration drive
- Hydrostatic articulated steering
- Articulated joint lock
- Seat with arm rest and adj. for position and height
- Battery disconnect switch
- Single lever control for travel and vibration
- Warning, information and operation displays with LCD
- Loading mode
- Emergency STOP
- Working lights front / rear
- Back-up alarm
- 2 Scrapers
- Warning horn

Optional Equipment

- * ROPS/FOPS cabin with seat belts
 - Sliding window
- ROPS/FOPS with safety belt
- Rearview camera
- Air condition
- Radio (Bluetooth)
- Pre start cabin heating
- Comfort package: Adjustable seat and adjustable steering column
- Rotary beacon
- Indicator and hazard lights
- BOMAG ECOSTOP
- ECONOMIZER
- TERRAMETER
- BOMAG TELEMATIC POWER
- Special painting
- Padfoot segment kit (D)
- Environmentally compliant hydraulic oil
- Measuring- and machine data interface for third-party suppliers
- LED Working lights (Cabin)
- Reversing alarm buzzer with broad band audio

* Standard delivery with CE conformity
(valid within European Union)#72

