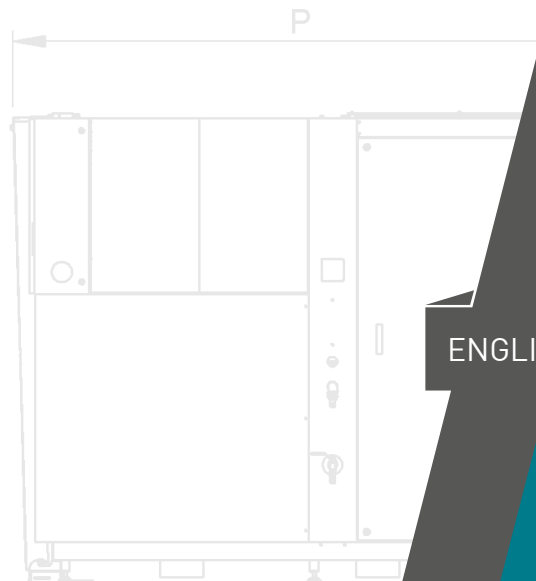


# Teknox

METAL CLEANING  
EVOLUTION



ENGLISH 

HIGH  
QUALITY  
guaranteed  
\*\*\*

HELP  
DESK  


MADE  
IN ITALY

SINCE  
1967

# ROTOR LINE

# ROTOR 1B

ROTOR IS THE OPTIMAL SYSTEM FOR THE **SPRAY AND HYDROKINETIC IMMERSION WASHING** FOR BASKETS CONTAINING PARTS.

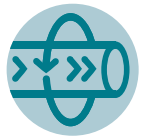
Basket is entered manually or automatically in the basket-holder drum according to the machine configuration.  
It is possible to set the basket rotation speed and the operation type: full or oscillating rotation.  
Hot-air drying is included in the standard model.  
It is possible to increase it by a vacuum drying.



**SPRAY WASHING**



**ULTRASONIC CLEANING**



**MOTORIZED ROTATION ON HORIZONTAL AXIS**



ROTOR S 1B



**VERSION**

- HT (heating up to 80° C)



**CONTROL**

- PLC with colour touchscreen  
- Option Industry 4.0



**NUMBER OF TANKS**

- Single tank



**AREAS OF APPLICATION**

- Mechanical / Aviation industry  
- Surface treatment  
- Electronics / Chemicals industry

# ROTOR 1B

XS  
S  
M  
L

## TECHNICAL FEATURES

- Rear Section machine total access through three doors (on the righthand side, lefthand side and at the back) in order to facilitate maintenance operations
- Pneumatic opening and closure of the hatch with 4 cylinders
- Hot air drying with side channel blower and heating elements
- ISO pneumatic cylinders and “fall-proof” pneumatic safety valves
- Siemens® electric power parts
- 7” color touchscreen display for settings and programs
- Box filter made up of 6 Aisi 304 SS vertical filters for pre-filtration of the liquid flowing back into the tank
- Aisi 304 stainless steel filter in pump intake
- Structure and sheet metal in contact with liquid in Aisi 304 stainless steel
- Minimum level switch
- Pressure gauge for control of pressure delivered
- Safety limit switch on door opening
- Gearmotor for variable basket rotation speed controlled by inverter
- Stainless steel electric pump with special seals
- Weekly programming to start heating and deoiler (if installed)
- IP65 electrical system, management via PLC touchscreen (DGT V4)
- Adjustment via software of the basket rocking limit angle, analogue reading of angulation 0/360°
- Heating of the liquid with stainless steel electric heating element
- Internal welding bleaching
- Compressed air blower solenoid valve
- Stainless steel bottom section load-bearing structure
- Aisi 304 stainless steel washing pipelines with professional stainless steel flat nozzles
- Drain valves for emptying tanks
- Manual water filling valve
- Aisi 304 stainless steel drip tray

## AUTOMATIC WASHING

TECHNICAL DATA	RTR XS	RTR S	RTR M	RTR L
Load capacity	30 kg	50 kg	80 kg	100 kg
Tank 1 capacity	280 lt	380 lt	900 lt	1400 lt
Pump 1	0,55 kW 2,5 bar 120 lt/min	1,5 kW 2,5 bar 200 lt/min	3 kW 2,5 bar 400 lt/min	3 kW 2,5 bar 400 lt/min
High pressure pump 1	2,2 kW 6 bar 180 lt/min	3,0 kW 6 bar 250 lt/min	5,5 kW 4 bar 500 lt/min	7,5 kW 5 bar 500 lt/min
Heating tank 1	12 kW	16 kW	30 kW	50 kW
Motor for parts rotation	0,18 kW	0,18 kW	0,18 kW	0,18 kW
Disk oil separator	0,09 kW	0,09 kW	0,09 kW	0,09 kW
Compressed air blowing	180 Nmc/h @ 4 bar	230 Nmc/h @ 4 bar	320 Nmc/h @ 4 bar	400 Nmc/h @ 4 bar
Gas oil or natural gas burner heating	0,17 kW - 30000 kcal/h	0,17 kW - 30000 kcal/h	0,17 kW - 30000 kcal/h	0,17 kW - 30000 kcal/h
Steam condenser	0,20 kW	0,20 kW	0,20 kW	0,20 kW
Tank emptying pump	0,37 kW	0,37 kW	0,37 kW	0,37 kW
Drying	4,1 kW	7,5 kW	9 kW	18 kW
Vacuum drying	1,1 kW	1,5 kW	2,2 kW	4,4 kW
Ultrasound (peak/effective)	2kW/1kW	2kW/1kW	4,8kW/2,4kW	9,6W/4,8kW

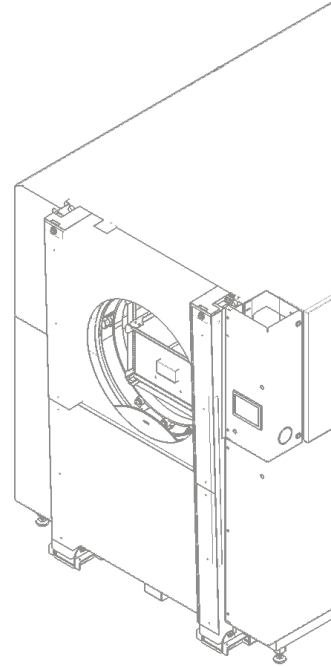
## ACCESSORIES

- Maximum liquid level control in tank 1 and filling solenoid valve
- Demineralizer with mixed resins and conductivity meter
- Vacuum drying
- Loading/unloading area photocell barrier system
- Centrifugal steam condenser S
- Automatic liquid detergent dispenser, installed in bath 1
- External pneumatic oil separator
- Bag filter in stainless steel, installed in the bath 1
- Magnetic spark plug for bag filter for ferrite powder
- Device for remote connection and remote support for HMI Weintek
- Kit for Industry 4.0 for HMI Weintek
- Ultrasounds in titanium bars - 40 kHz
- Kit for use with abrasive contaminants in the washing liquid
- Stainless steel fittings and valves kit ( for parts that are in contact with liquids)
- PLC Siemens® S7 1200 - HMI touchscreen Weintek
- High pressure washing pump
- Interface with the loading and unloading system (robot)

- Rinsing by water supply and direct drain outlet
- Nebulized rinse from water mains, draining into the washing tank
- Emptying pump
- Signal tower for indicating system status
- A wide choice of external conveyors, with or without lift
- Single external station with automatic loading and unloading of baskets/pallets
- Automatic external roller conveyor pneumatic lift pos. 3+1+3
- Box covering application during automatic loading [E]
- Manual box tilter for emptying pieces at the end of the roller conveyor
- Increased loading capacity
- Stainless steel baskets in multiple sizes to choose
- Special drum for pallet support with anti-tilt system
- Workpieces positioning /clamping pallet

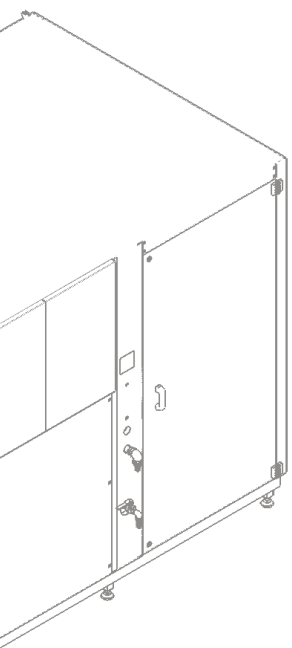
### ACCESSORIES NOTES LEGEND

E: available only in case of automatic loading system of the baskets.



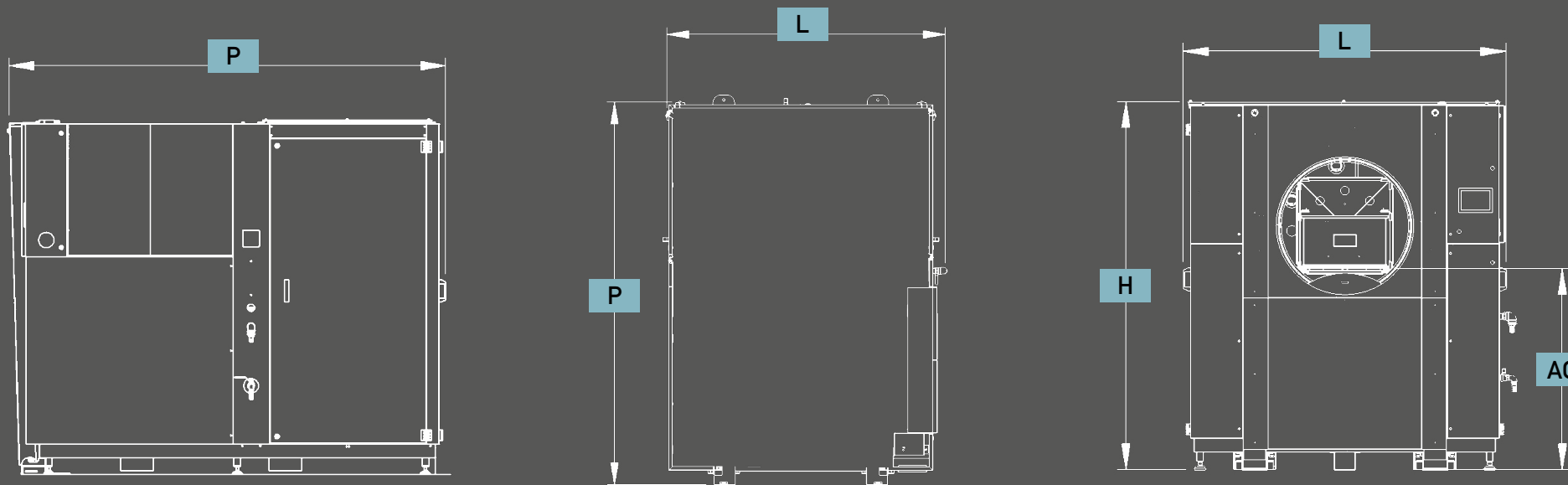
CONNECTIONS	RTR XS	RTR S	RTR M	RTR L
Steam extraction	F 2"	F 3"	F 3"	F 3"
Tank liquid drain	F 1" 1/4	F 1" 1/4	F 1" 1/4	F 1" 1/4
Water filling solenoid valve	F 1/2"	F 1/2"	F 1/2"	F 1/2"
Deoiling oil drain	M 1/2"	M 1/2"	M 1/2"	M 1/2"
Compressed air intake	F 1/4"	F 1/4"	F 1/4"	F 1/4"
Compressed air blower solenoid valve	F 1"	F 1"	F 1"	F 1"
Emptying pump	F 1"	F 1"	F 1"	F 1"
Overflow drain	F 1"	F 1"	F 1"	F 1"

**ROTOR 1B**



DIMENSIONS AND LAYOUT		RTR XS	RTR S	RTR M	RTR L
<b>L</b>	width	140 cm	140 cm	180 cm	240 cm
<b>P</b>	depth	180 cm	220 cm	260 cm	300 cm
<b>H</b>	height	220 cm	220 cm	220 cm	240 cm
<b>AL</b>	washing area	22 x 37 cm	30 x 45 cm	50 x 75 cm	75 x 100 cm
<b>HL</b>	washing height	20 cm	18/30 cm	30/50 cm	50/75 cm
<b>AC</b>	loading height	105 cm	105 cm	120 cm	120 cm
<b>W</b>	weight (W)	650 kg	800 kg	1000 kg	1500 kg
<b>RU_HT</b>	noise HT	70 dBa	70 dBa	70 dBa	70 dBa

## DIMENSIONS AND LAYOUT



# ROTOR 2B

ROTOR IS THE OPTIMAL SYSTEM FOR THE **SPRAY AND HYDROKINETIC IMMERSION WASHING** FOR BASKETS CONTAINING PARTS.

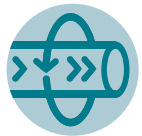
Basket is entered manually or automatically in the basket-holder drum according to the machine configuration. It is possible to set the basket rotation speed and the operation type: full or oscillating rotation. Hot-air drying is included in the standard model. It is possible to increase it by a vacuum drying. In this configuration, parts washers have two separate tanks and carry out both washing and rinsing.



**SPRAY WASHING**



**ULTRASONIC CLEANING**



**MOTORIZED ROTATION ON HORIZONTAL AXIS**



ROTOR M 2B



**VERSION**

- HT (heating up to 80° C)



**CONTROL**

- PLC with colour touchscreen  
- Option Industry 4.0



**NUMBER OF TANKS**

- 2 Tanks



**AREAS OF APPLICATION**

- Mechanical / Aviation industry  
- Surface treatment  
- Electronics / Chemicals industry

# ROTOR 2B

XS  
S  
M  
L

## TECHNICAL FEATURES

- Rear Section machine total access through three doors (on the righthand side, lefthand side and at the back) in order to facilitate maintenance operations
- Pneumatic opening and closure of the hatch with 4 cylinders
- Hot air drying with side channel blower and heating elements
- ISO pneumatic cylinders and "fall-proof" pneumatic safety valves
- Siemens® electric power parts
- 7" color touchscreen display for settings and programs
- Box filter made up of 6 Aisi 304 SS vertical filters for pre-filtration of the liquid flowing back into the tank
- Aisi 304 stainless steel filter in pump intake
- Structure and sheet metal in contact with liquid in Aisi 304 stainless steel
- Minimum level switch
- Pressure gauge for control of pressure delivered
- Safety limit switch on door opening
- Gearmotor for variable basket rotation speed controlled by inverter
- Aisi 304 stainless steel electric pump with special seals
- Weekly programming to start heating and deoiler (if installed)
- IP65 electrical system, management via PLC touchscreen (DGT V4)
- Adjustment via software of the basket rocking limit angle, analogue reading of angulation 0/360°
- Heating of the liquid with stainless steel electric heating element
- Internal welding bleaching
- Compressed air blower solenoid valve
- Stainless steel bottom section load-bearing structure
- Aisi 304 stainless steel washing pipelines with professional stainless steel flat nozzles
- Drain valves for emptying tanks
- Manual water filling valve
- Aisi 304 stainless steel drip tray

## AUTOMATIC WASHING

TECHNICAL DATA	RTR XS 2B	RTR S 2B	RTR M 2B	RTR L 2B
Load capacity	30 kg	50 kg	80 kg	100 kg
Tank 1 capacity	280 lt	380 lt	900 lt	1400 lt
Tank 2 capacity	280 lt	380 lt	900 lt	1400 lt
Pump 1	0,55 kW 2,5 bar 120 lt/min	1,5 kW 2,5 bar 200 lt/min	3 kW 2,5 bar 400 lt/min	3 kW 2,5 bar 400 lt/min
High pressure pump 1	2,2 kW 6 bar 180 lt/min	3,0 kW 6 bar 250 lt/min	5,5 kW 4 bar 500 lt/min	7,5 kW 5 bar 500 lt/min
Pump 2	0,55 kW 2,5 bar 120 lt/min	1,5 kW 2,5 bar 200 lt/min	3 kW 2,5 bar 400 lt/min	3 kW 2,5 bar 400 lt/min
High pressure pump 2	2,2 kW 6 bar 180 lt/min	3,0 kW 6 bar 250 lt/min	5,5 kW 4 bar 500 lt/min	7,5 kW 5 bar 500 lt/min
Heating tank 1	12 kW	16 kW	30 kW	50 kW
Heating tank 2	12 kW	16 kW	30 kW	50 kW
Motor for parts rotation	0,18 kW	0,18 kW	0,18 kW	0,18 kW
Disk oil separator	0,09 kW	0,09 kW	0,09 kW	0,09 kW
Compressed air blowing	180 Nmc/h @ 4 bar	230 Nmc/h @ 4 bar	320 Nmc/h @ 4 bar	400 Nmc/h @ 4 bar
Gas oil or natural gas burner heating	0,17 kW - 30000 kcal/h	0,17 kW - 30000 kcal/h	0,17 kW - 30000 kcal/h	0,17 kW - 30000 kcal/h
Steam condenser	0,20 kW	0,20 kW	0,20 kW	0,20 kW
Tank emptying pump	0,37 kW	0,37 kW	0,37 kW	0,37 kW
Drying	4,1 kW	7,5 kW	9 kW	18 kW
Vacuum drying	1,1 kW	1,5 kW	2,2 kW	4,4 kW
Ultrasound (peak/effective)	2kW/1kW	2kW/1kW	4,8kW/2,4kW	9,6W/4,8kW

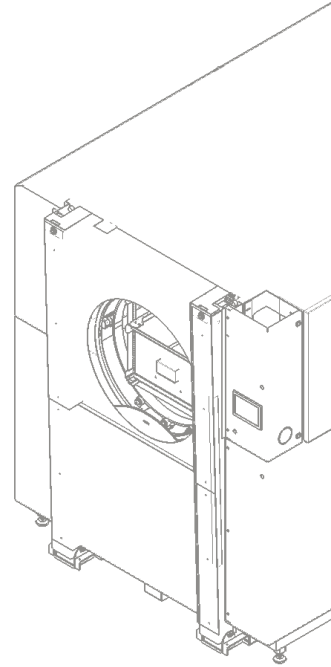
## ACCESSORIES

- Maximum liquid level control
- Demineralizer with mixed resins and conductivity meter
- Vacuum drying
- Loading/unloading area photocell barrier system
- Centrifugal steam condenser S
- Automatic liquid detergent dispenser
- External pneumatic oil separator
- Bag filter in stainless steel
- Magnetic spark plug for bag filter for ferrite powder
- Device for remote connection and remote support for HMI Weintek
- Kit for Industry 4.0 for HMI Weintek
- Ultrasounds in titanium bars - 40 kHz
- Kit for use with abrasive contaminants in the washing liquid
- Stainless steel fittings and valves kit ( for parts that are in contact with liquids)
- PLC Siemens® S7 1200 - HMI touchscreen Weintek
- High pressure washing pump
- High pressure rinsing pump
- Circulating pump from tank 2 (most clean) to tank 1 (most contaminated)

- Interface with the loading and unloading system (robot)
- Rinsing by water supply and direct drain outlet
- Nebulized rinse from water mains, draining into the washing tank
- Tanks emptying pump (2)
- Signal tower for indicating system status
- A wide choice of external conveyors, with or without lift
- Single external station with automatic loading and unloading of baskets/pallets
- Automatic external roller conveyor pneumatic lift pos. 3+1+3
- Box covering application during automatic loading [E]
- Manual box tilter for emptying pieces at the end of the roller conveyor
- Increased loading capacity to 250 kg
- Increased loading capacity to 500 kg
- Stainless steel baskets in multiple sizes to choose
- Special drum for pallet support with anti-tilt system
- Workpieces positioning /clamping pallet

### ACCESSORIES NOTES LEGEND

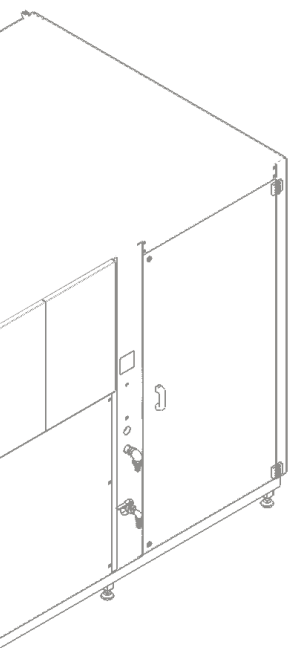
E: available only in case of automatic loading system of the baskets.



CONNECTIONS	RTR XS 2B	RTR S 2B	RTR M 2B	RTR L 2B
Steam extraction	F 2"	F 3"	F 3"	F 3"
Tank liquid drain	2 x F 1" 1/4	2 x F 1" 1/4	2 x F 1" 1/4	2 x F 1" 1/4
Water filling solenoid valve	2 x F 1/2"	2 x F 1/2"	2 x F 1/2"	2 x F 1/2"
Deoiling oil drain	M 1/2"	M 1/2"	M 1/2"	M 1/2"
Compressed air intake	F 1/4"	F 1/4"	F 1/4"	F 1/4"
Compressed air blower solenoid valve	F 1"	F 1"	F 1"	F 1"
Emptying pump	F 1"	F 1"	F 1"	F 1"
Overflow drain	2 x F 1"	2 x F 1"	2 x F 1"	2 x F 1"

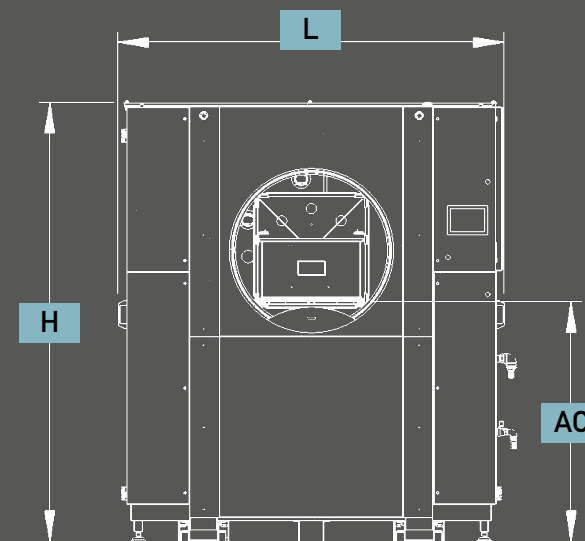
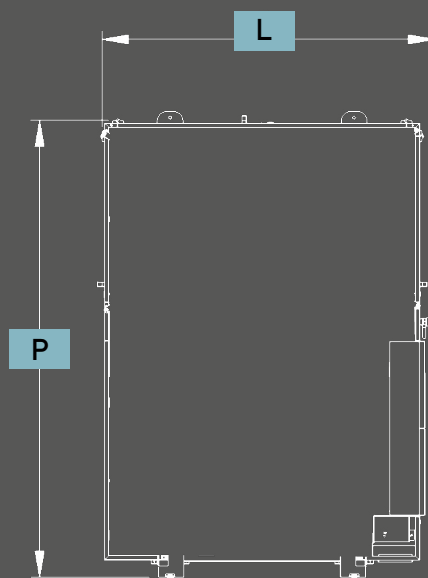
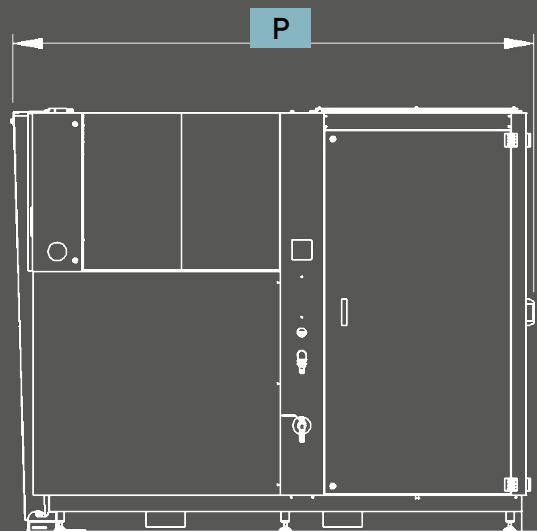
**ROTOR 2B**





DIMENSIONS AND LAYOUT		RTR XS 2B	RTR S 2B	RTR M 2B	RTR L2B
<b>L</b>	width	140 cm	140 cm	180 cm	240 cm
<b>P</b>	depth	180 cm	220 cm	260 cm	300 cm
<b>H</b>	height	220 cm	220 cm	220 cm	240 cm
<b>AL</b>	washing area	22 x 37 cm	30 x 45 cm	50 x 75 cm	75 x 100 cm
<b>HL</b>	washing height	20 cm	18/30 cm	30/50 cm	50/75 cm
<b>AC</b>	loading height	105 cm	105 cm	120 cm	120 cm
<b>W</b>	weight	850 kg	1000 kg	1300 kg	2200 kg
<b>RU_HT</b>	noise HT	70 dBa	70 dBa	70 dBa	70 dBa

## DIMENSIONS AND LAYOUT



# ROTOR 3B

ROTOR IS THE OPTIMAL SYSTEM FOR THE **SPRAY AND HYDROKINETIC IMMERSION WASHING** FOR BASKETS CONTAINING PARTS.

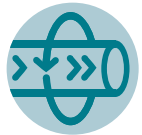
Basket is entered manually or automatically in the basket-holder drum according to the machine configuration. It is possible to set the basket rotation speed and the operation type: full or oscillating rotation. Hot-air drying is included in the standard model. It is possible to increase it by a vacuum drying. In this configuration, parts washers have three separate tanks to carry out one washing and two rinsings, or two washings (with different detergents) and one rinsing



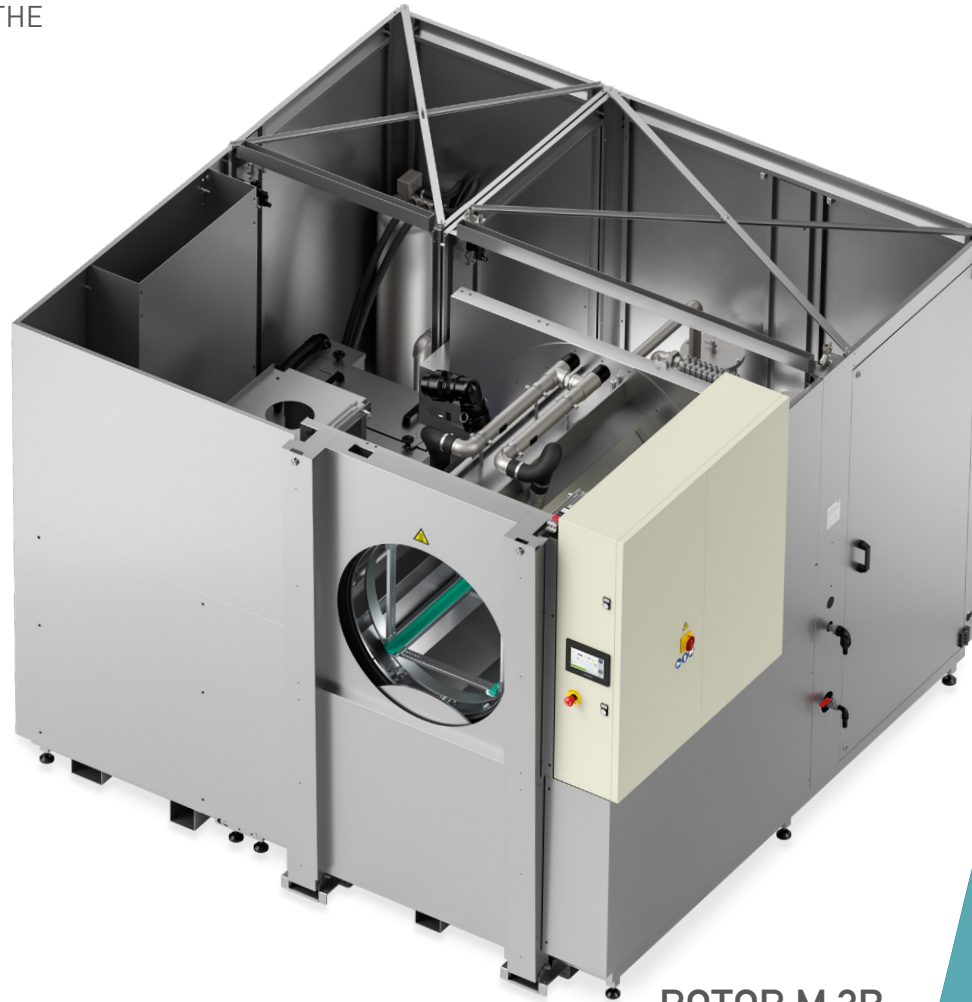
**SPRAY WASHING**



**ULTRASONIC CLEANING**



**MOTORIZED ROTATION ON HORIZONTAL AXIS**



ROTOR M 3B



**VERSION**

- HT (heating up to 80° C)



**NUMBER OF TANKS**

- 3 Tanks



**AREAS OF APPLICATION**

- Mechanical / Aviation industry
- Surface treatment
- Electronics / Chemicals industry

# ROTOR 3B

XS  
S  
M  
L

## TECHNICAL FEATURES

- Rear Section machine total access through three doors (on the righthand side, lefthand side and at the back) in order to facilitate maintenance operations
- Pneumatic opening and closure of the hatch with 4 cylinders
- Hot air drying with side channel blower and heating elements
- ISO pneumatic cylinders and “fall-proof” pneumatic safety valves
- Siemens® electric power parts
- 7” color touchscreen display for settings and programs
- Box filter made up of 6 Aisi 304 SS vertical filters for pre-filtration of the liquid flowing back into the tank
- Aisi 304 stainless steel filter in pump intake
- Structure and sheet metal in contact with liquid in Aisi 304 stainless steel
- Minimum level switch
- Pressure gauge for control of pressure delivered
- Safety limit switch on door opening
- Gearmotor for variable basket rotation speed controlled by inverter
- Aisi 304 stainless steel electric pump with special seals
- Weekly programming to start heating and deoiler (if installed)
- IP65 electrical system, management via PLC touchscreen (DGT V4)
- Adjustment via software of the basket rocking limit angle, analogue reading of angulation 0/360°
- Heating of the liquid with stainless steel electric heating element
- Internal welding bleaching
- Compressed air blower solenoid valve
- Stainless steel bottom section load-bearing structure
- Aisi 304 stainless steel washing pipelines with professional stainless steel flat nozzles
- Drain valves for emptying tanks
- Manual water filling valve
- Aisi 304 stainless steel drip tray

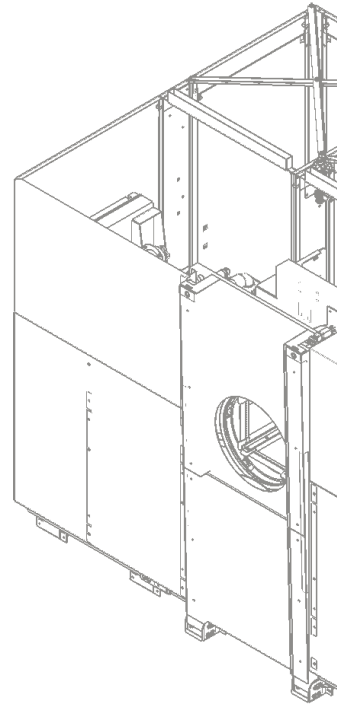
## AUTOMATIC WASHING

TECHNICAL DATA	RTR XS 3B	RTR S 3B	RTR M 3B	RTR L 3B
Load capacity	30 kg	50 kg	80 kg	100 kg
Tank 1 capacity	280 lt	380 lt	900 lt	1400 lt
Tank 2 capacity	280 lt	380 lt	900 lt	1400 lt
Tank 3 capacity	280 lt	380 lt	900 lt	1400 lt
Pump 1	0,55 kW 2,5 bar 120 lt/min	1,5 kW 2,5 bar 200 lt/min	3 kW 2,5 bar 400 lt/min	3 kW 2,5 bar 400 lt/min
High pressure pump 1	2,2 kW 6bar 180 lt/min	3,0 kW 6 bar 250 lt/min	5,5 kW 4 bar 500 lt/min	7,5 kW 5 bar 500 lt/min
Pump 2	0,55 kW 2,5 bar 120 lt/min	1,5 kW 2,5 bar 200 lt/min	3 kW 2,5 bar 400 lt/min	3 kW 2,5 bar 400 lt/min
High pressure pump 2	2,2 kW 6 bar 180 lt/min	3,0 kW 6 bar 250 lt/min	5,5 kW 4 bar 500 lt/min	7,5 kW 5 bar 500 lt/min
Pump 3	0,55 kW 2,5 bar 120 lt/min	1,5 kW 2,5 bar 200 lt/min	3 kW 2,5 bar 400 lt/min	3 kW 2,5 bar 400 lt/min
High pressure pump 3	2,2 kW 6 bar 180lt/min	3,0 kW 6 bar 300 lt/min	5,5 kW 4 bar 500 lt/min	7,5 kW 5 bar 500 lt/min
Heating tank 1	12 kW	16 kW	30 kW	50 kW
Heating tank 2	12 kW	16 kW	30 kW	50 kW
Heating tank 3	12 kW	16 kW	30 kW	50 kW
Motor for parts rotation	0,18 kW	0,18 kW	0,18 kW	0,18 kW
Disk oil separator	0,09 kW	0,09 kW	0,09 kW	0,09 kW
Compressed air blowing	180 Nmc/h @ 4 bar	230 Nmc/h @ 4 bar	320 Nmc/h @ 4 bar	400 Nmc/h @ 4 bar
Gas oil or natural gas burner heating	0,17 kW - 30000 kcal/h	0,17 kW - 30000 kcal/h	0,17 kW - 30000 kcal/h	0,17 kW - 30000 kcal/h
Steam condenser	0,20 kW	0,20 kW	0,20 kW	0,20 kW
Tank emptying pump	0,37 kW	0,37 kW	0,37 kW	0,37 kW
Drying	4,1 kW	7,5 kW	9 kW	18 kW
Vacuum drying	1,1 kW	1,5 kW	2,2 kW	4,4 kW
Ultrasound (peak/effective)	2kW/1kW	2kW/1kW	4,8kW/2,4kW	9,6W/4,8kW

## ACCESSORIES

- Maximum liquid level control
- Demineralizer with mixed resins and conductivity meter
- Vacuum drying
- Loading/unloading area photocell barrier system
- Centrifugal steam condenser S
- Automatic liquid detergent dispenser
- External pneumatic oil separator
- Bag filter in stainless steel
- Magnetic spark plug for bag filter for ferrite powder
- Device for remote connection and remote support for HMI Weintek
- Kit for Industry 4.0 for HMI Weintek
- Ultrasounds in titanium bars - 40 kHz
- Kit for use with abrasive contaminants in the washing liquid
- Stainless steel fittings and valves kit ( for parts that are in contact with liquids)
- PLC Siemens® S7 1200 - HMI touchscreen Weintek
- High pressure washing pump
- High pressure rinsing pump
- Circulating pump from tank 2 (most clean) to tank 1 (most contaminated)
- Circulating pump from tank 3 (most clean) to tank 2 (most contaminated)

- Interface with the loading and unloading system (robot)
- Rinsing by water supply and direct drain outlet
- Nebulized rinse from water mains, draining into the washing tank
- Tanks emptying pump (3)
- Signal tower for indicating system status
- A wide choice of external conveyors, with or without lift
- Single external station with automatic loading and unloading of baskets/pallets
- Automatic external roller conveyor pneumatic lift pos. 3+1+3
- Box covering application during automatic loading [E]
- Manual box tilter for emptying pieces at the end of the roller conveyor
- Increased loading capacity to 250 kg
- Increased loading capacity to 500 kg
- Stainless steel baskets in multiple sizes to choose
- Special drum for pallet support with anti-tilt system
- Workpieces positioning /clamping pallet

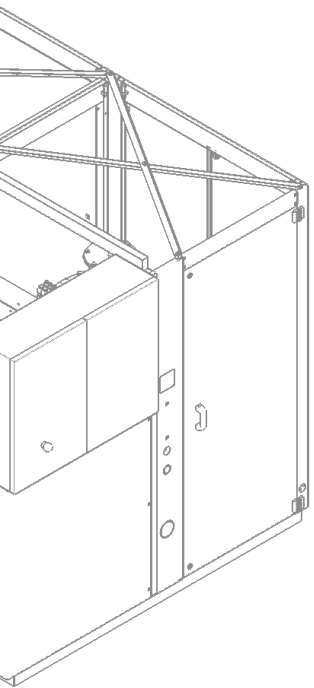


### ACCESSORIES NOTES LEGEND

E: available only in case of automatic loading system of the baskets.

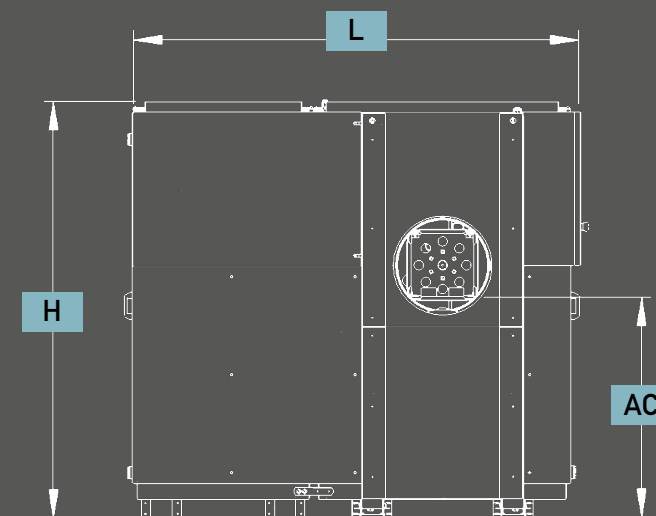
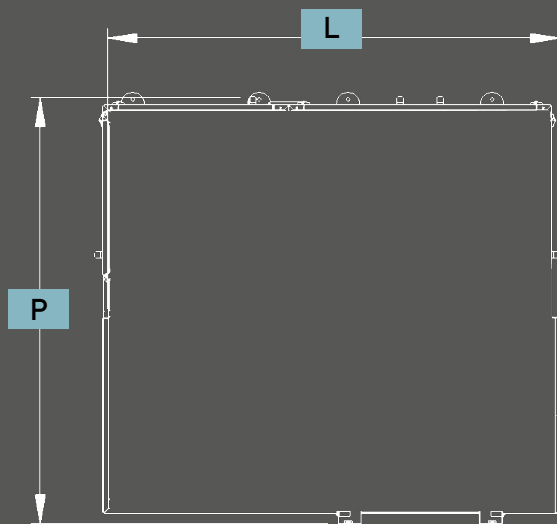
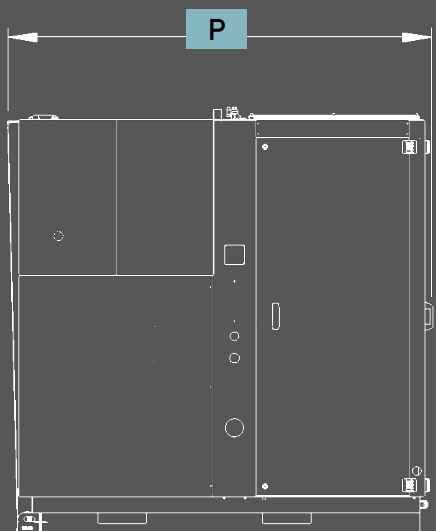
CONNECTIONS	RTR XS 3B	RTR S 3B	RTR M 3B	RTR L 3B
Steam extraction	F 2"	F 3"	F 3"	F 3"
Tank liquid drain	3 x F 1" 1/4	3 x F 1" 1/4	3 x F 1" 1/4	3 x F 1" 1/4
Water filling solenoid valve	3 x F 1/2"	3 x F 1/2"	3 x F 1/2"	3 x F 1/2"
Deoiling oil drain	M 1/2"	M 1/2"	M 1/2"	M 1/2"
Compressed air intake	F 1/4"	F 1/4"	F 1/4"	F 1/4"
Compressed air blower solenoid valve	F 1"	F 1"	F 1"	F 1"
Emptying pump	F 1"	F 1"	F 1"	F 1"
Overflow drain	3 x F 1"	3 x F 1"	3 x F 1"	3 x F 1"

**ROTOR 3B**



DIMENSIONS AND LAYOUT		RTR XS 3B	RTR S 3B	RTR M 3B	RTR L 3B
<b>L</b>	width	210 cm	210 cm	270 cm	360 cm
<b>P</b>	depth	180 cm	220 cm	260 cm	300 cm
<b>H</b>	height	220 cm	220 cm	220 cm	240 cm
<b>AL</b>	washing area	22 x 37 cm	30 x 45 cm	50 x 75 cm	75 x 100 cm
<b>HL</b>	washing height	20 cm	18/30 cm	30/50 cm	50/75 cm
<b>AC</b>	loading height	105 cm	105 cm	120 cm	120 cm
<b>W</b>	weight	1150 kg	1400 kg	1800 kg	3000 kg
<b>RU_HT</b>	noise HT	70 dBa	70 dBa	70 dBa	70 dBa

## DIMENSIONS AND LAYOUT



# LOADING / UNLOADING SYSTEMS

A SYSTEM THAT ALLOWS  
**SPRAY AND HYDROKINETIC  
WASHING IN IMMERSION**



**SPRAY  
WASHING**



**ULTRASONIC  
CLEANING**



**VERSION**

- HT (heating up to 80° C)

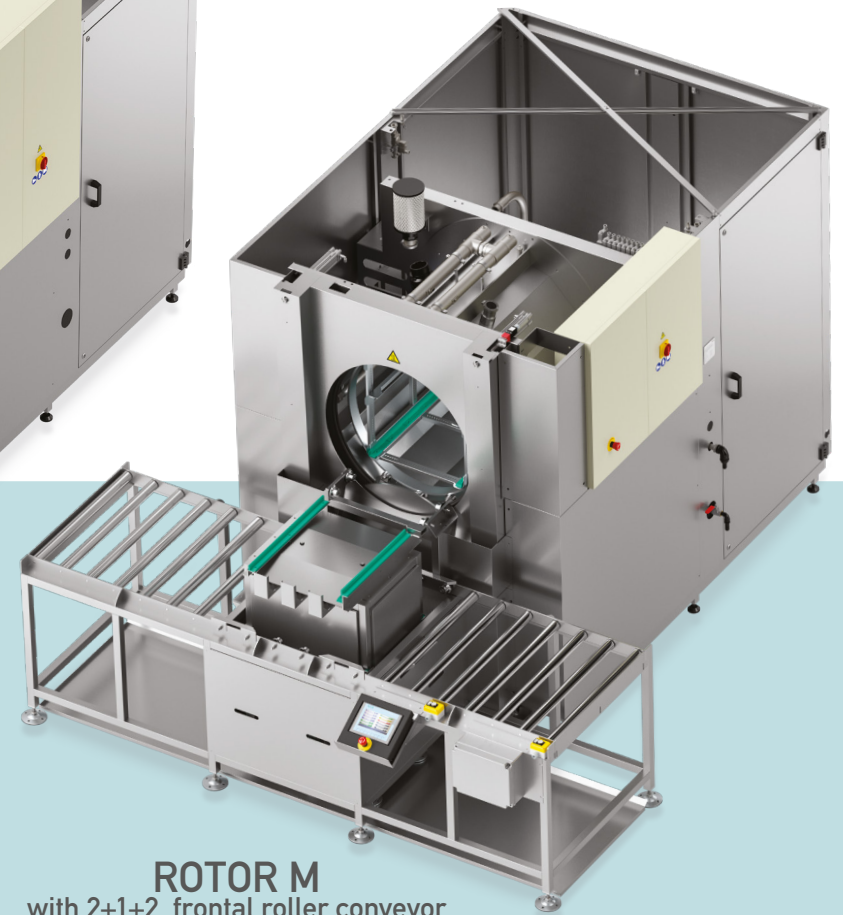


**AREAS OF APPLICATION**

- Mechanical engineering
- Aviation / Space industry
- Surface treatment
- Electronics / Chemicals



**ROTOR M**  
with manual single front roller  
conveyor with moving height

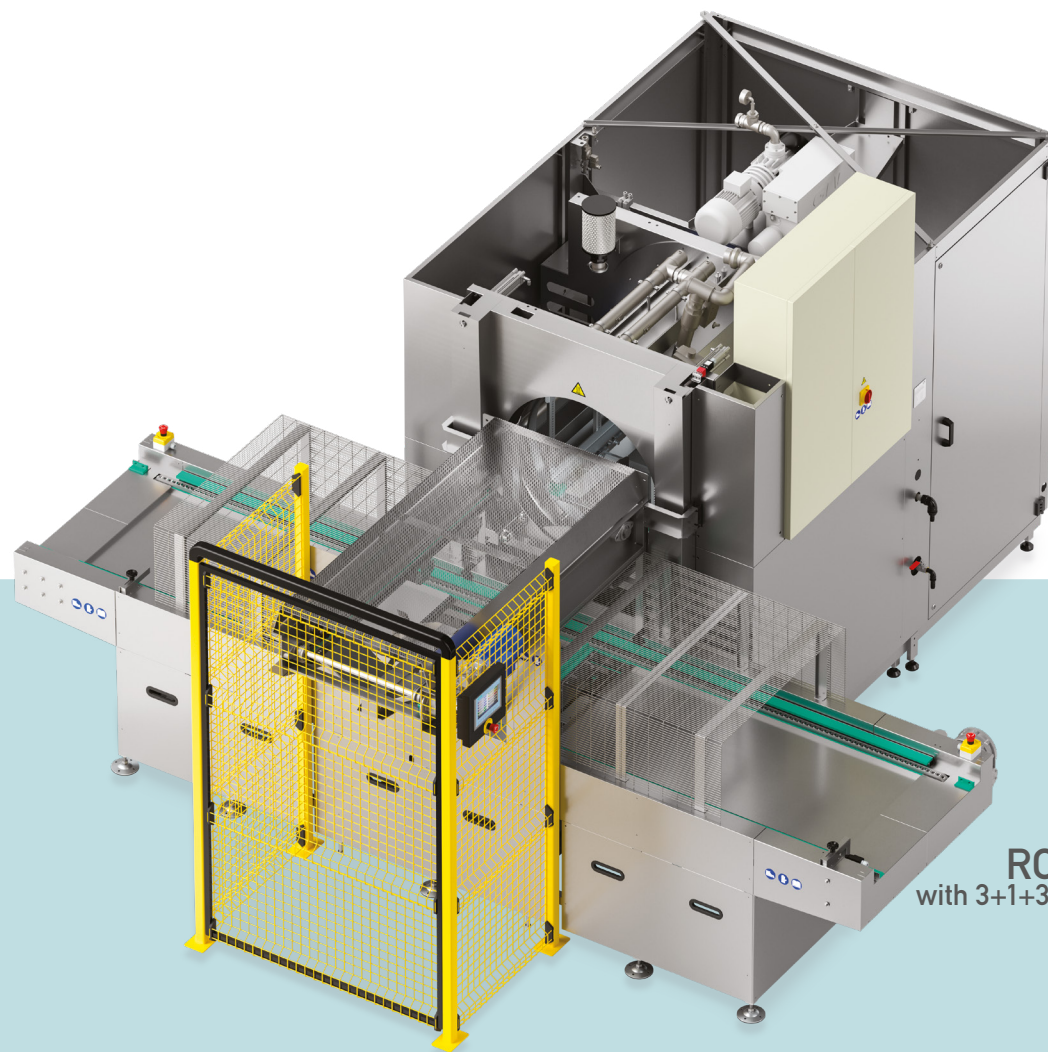


**ROTOR M**  
with 2+1+2 frontal roller conveyor  
manual with mobile central height

## MODELS EXAMPLES



**ROTOR S**  
with loading/unloading by  
anthropomorphic robot



**ROTOR M**  
with 3+1+3 automatic loader

**ROTOR**

Our catalogue  
ROTOR LINE



SCAN THE QR-CODE  
download our catalogue ROTOR LINE

www.teknox.net



TEKNOX ITALY

ADDRESS

Via Mori, 6  
40054 Prunaro di Budrio  
Bologna - Italy

PHONE

+ 39 051 800862

FAX

+ 39 051 803769

EMAIL

info@teknox.net

THIS CATALOGUE REPLACES ANY PREVIOUS PUBLICATION.  
THE DATA PROVIDED ARE INDICATIVE AND WE RESERVE THE RIGHT TO CHANGE THEM WITHOUT NOTICE.

Copyright © 2020 TEKNOX s.r.l.