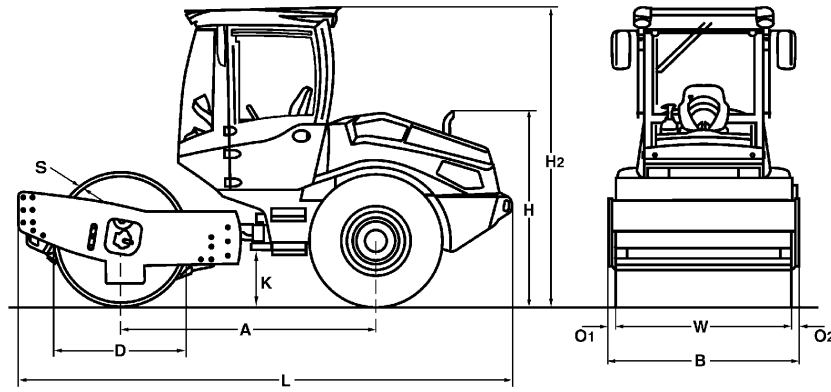


TECHNICAL DATA

SINGLE DRUM ROLLERS

BW 145 D-5





Dimensions in mm

	A	B	D	H	H2	K	L	O1	O1	S	W
BW 145 D-5	2250	1560	1058	1570	2720	320	4370	65	65	20	1426

Shipping dimensions in m3

BW 145 D-5

without ROPS

10,703

with ROPS

18,543

Machine type	Compaction output (m3/h)			
	Rock fill	Gravel, sand	Mixed soil	Silt, clay
BW 145 D-5	-	160-320	120-240	60-120

Machine type	Compacted layer thickness (m)			
	Rock fill	Gravel, sand	Mixed soil	Silt, clay
BW 145 D-5	-	0,40	0,30	0,15

Technical Data

BOMAG BW 145 D-5

Weights

Grossweight	kg	5.600
Operating weight CECE w. ROPS-cabin	kg	4.750
Axle load, drum CECE	kg	2.490
Axle load, wheels CECE	kg	2.260
Static linear load CECE	kg/cm	17,5

Dimensions

Working width	mm	1.426
Track radius, inner	mm	2.890

Driving Characteristics

Speed (1)	km/h	0- 4,0
Speed (2)	km/h	0- 4,5
Speed (3)	km/h	0- 6,5
Speed (4)	km/h	0- 9,0
Max. gradeability without/with vibr.	%	51/48

Drive

Engine manufacturer		Deutz
Type		TD 2.9 L04
Emission stage		Stage V / TIER4f
Exhaust gas aftertreatment		DOC+DPF
Cooling		water
Number of cylinders		4
Performance ISO 3046	kW	55,4
Performance SAE J 1995	hp	75,0
Speed	min-1	2.400
Fuel		Diesel
Electric equipment	V	12
Drive system		hydrost.
Drum driven		standard

Drums and Tyres

Tyre size	12.5-20 12PR
-----------------	--------------

Brakes

Service brake	hydrost.
Parking brake	hydromec.

Steering

Steering system	oscil.artic.
Steering method	hydrost.
Steering / oscillating angle +/-	grad 35/12

Exciter system

Drive system	hydrost.
Frequency	Hz 31/35
Amplitude	mm 1,70/0,80
Centrifugal force	kN 80/56
Centrifugal force	t 8,2/5,7

Capacities

Fuel	l 110,0
------------	---------

Technical modifications reserved. Machines may be shown with options.

Standard Equipment

- BOMAG ECOMODE
- Self locking differential
- Rear axle with twin spring accumulator brakes
- Hydrostatic travel and vibration drive
- Hydrostatic articulated steering
- Articulated joint lock
- Warning, information and operation displays
- Single lever control for travel and vibration
- Emergency STOP
- Warning horn
- Back-up warning system
- 1 Scrapers

Optional Equipment

- * ROPS cabin with seat belts
- ROPS/FOPS with safety belt
- Indicator and hazard lights
- Rotary beacon
- Rearview camera
- Air condition
- Sliding window
- Radio (Bluetooth)
- BOMAG ECOSTOP
- ECONOMIZER
- TERRAMETER
- Printer for TERRAMETER
- BOMAG TELEMATIC
- Special painting
- Reversing alarm buzzer with broad band audio
- Padfoot segment kit
- 2 Contact scrapers
- Environmentally compliant hydraulic oil
- Tractor tires
- LED Working lights (Cabin)
- Comfort package
- * Standard delivery with CE conformity (valid within European Union)

