

RAVO 5 iSeries



RAVO
FAYAT GROUP

| MID-SIZE COMPACT





TOGETHER WE CARE FOR A CLEAN AND HEALTHY FUTURE

A WORLD LEADER IN INNOVATIVE SWEEPING SOLUTIONS

RAVO is part of the Fayat Group and for us, sweeping is in our DNA. Since the development of our first compact street sweeper in 1964, RAVO has continually improved its sweepers in performance, ease of use, reliability, and sustainability. We understand that it is impossible to be the industry-leader in developing innovative sweeping solutions without hard work.

RAVO offers road sweepers to customers worldwide and, thanks to our extensive dealer network, we guarantee a high level of service to customers anywhere in the world. RAVO machines can be found operating in some of the world's most demanding city environments, including Amsterdam, Paris, Dubai, San Francisco, Montreal, Berlin, Barcelona and Rome. These cities continue to use RAVO products because of our unrivalled dedication to produce the best sweeper in the world.



The close links we have with our customers together with our product focus have made the RAVO 5 iSeries into what it is today – the best-selling road sweeper in the world - and it is not without reason! RAVO sets the standard with our machine’s long service life, economical use, ease of operation and state-of-the-art build quality. RAVO continues to go the extra mile to improve its standards.

Clean and Safe Living Environment

Times have changed - a sweeper’s primary task used to be just sweeping, but now it must achieve street cleaning targets in a sustainable way to help create a clean and safe living environment. We understand that this is a top priority for cities all over the world and RAVO can help achieve this. RAVO offers a wide range of options to customize its sweepers, catering to many different needs and situations. Various dumping heights, heavy-duty packages and water options such as a high-pressure spray gun, water recycling, and an additional spray bar to name a few. The unique third front broom option increases the sweeping width of the sweepers and allows drivers to clean pavements, shoulders, and street gutters more efficiently. Combine this option with the weed cutter broom to remove weeds in the most environmentally friendly way.

YOUR SERVICE PARTNER

Together, with our dedicated and trusted dealer network, RAVO is always here for you and is ready for every challenge. We understand that your fleet needs to be able to work 24/7 and to demonstrate that we have absolute trust in our products we offer as standard:

- A 2 year/2000 hours warranty on every sweeper.
- A five-year warranty on the hopper and chassis.

ISERIES

WE MAKE THINGS EASY

You can always rely on the availability of the correct parts for your RAVO sweeper. Using RAVO parts means planned maintenance can proceed quickly thanks to the various high level service and parts packages in place - this is just another way how RAVO makes things easy for our customers.

Furthermore, using RAVO Original Parts ensures:

- A guarantee of 12 months on parts.
- The knowledge that the selected parts will meet OEM specifications.
- Longer service life of your RAVO sweeper – lowering your costs.

TRAINING IS EVERYTHING

For RAVO, knowledge is important – this is why we offer professional training programs at different levels. Trainings are easily accessible as online e-learning courses, in-person in the specially equipped training area at the RAVO site or at the customer’s premises, these innovative programmes are the foundation of the RAVO Academy. In these sessions, technicians are trained on how to maintain a RAVO sweeper and operators are trained to optimally use their machines.



FAYAT
ENVIRONMENTAL
SOLUTIONS



ACADEMY
LEARNING TOGETHER



55 Dealers
worldwide



Worlds most sold
street sweeper



DESIGNED TO PERFORM: THE RAVO 5 iSERIES



ROLEX



ISERIES

A SOLID BASE

A powerful engine, comfortable cabin, and unique brush system – the RAVO 5 iSeries sets the standard in sweeping. This machine offers impressive suction performance and a high degree of compaction to deliver unrivaled sweeping performance.

In Spring or Autumn, in sand or mud, pine needles or wet leaves, on main roads or bicycle lanes, over smooth asphalt or bumpy cobblestones: the RAVO 5 iSeries is ready to sweep anything. A RAVO sweeper can ensure efficient sweeping by cleaning any type of road surface in one pass. Storing all debris in its spacious five cubic meter stainless steel hopper with an unmatched compaction rate.

Every RAVO features:

- An ergonomically designed cabin with adjustable steering wheel and dashboard, adjustable armrests and doors lockable from the inside.
- Air conditioning.
- A powerful IVECO Euro 6 diesel engine.
- Linde hydraulics.
- A stainless steel 5 m³ hopper.
- A load capacity of up to 5300 kg.
- Extreme maneuverability with a turning circle of only 5m (kerb to kerb).
- A unique brush system with constant brush pressure and no greasing points.
- Hydropneumatic front suspension with an automatic levelling system.
- Stainless steel suction tube.

EASY TO MAINTAIN

Proper maintenance of your RAVO 5 iSeries increases its reliability which, in turn, results in a longer service life and lower costs.

For ease of maintenance, the 5 iSeries benefits from the following features:

- A unique and maintenance friendly RAVO brush system.
- A simple and effective fan cleaning system.
- Large service hatches for easy access to the hopper.
- Centrally combined greasing points.
- Easy to change brushes.





THE IDEAL WORKPLACE FOR ANY OPERATOR

The 5 iSeries spacious cabin has been designed with the input of experienced RAVO operators. For this reason, the RAVO 5 iSeries has a large, comfortable and, above all, quiet cabin. It also benefits having a floor height of only 85cm which allows for easy access and a lot of interior space.

The dashboard has a logical layout and, like the armrests and steering wheel, is adjustable to ensure that the operators can always do their work comfortably. The gently tilted panoramic windscreen provides an excellent view. All these features make the RAVO 5 iSeries cabin the ideal workplace for any operator.

The RAVO cabin features:

- iSystem for full control of the machine
- Inspection hatch to the suction nozzle and hopper
- Rear-view camera
- 360 degree bird view optional
- Panoramic view
- MP3 Radio with bluetooth
- Adjustable steering column, dashboard and arm rest
- Lockable doors from inside
- Lockable storage space





OPTIMAL PERFORMANCE

The RAVO iSystem ensures that the operator maintains full control of the machine and knows exactly how to achieve optimal performance.

The iSystem has been specially developed to give the operator maximum control of the sweeper. The built in LCD screen makes it possible to check the parameters of the electronic and hydraulic systems, which is not only useful for monitoring the current state of the machine, but also for maintenance.

The operator can monitor the sweeping and engine hours, as well as the service intervals via various displays. The iSystem also allows the operator to check the hydraulic system, the lighting, the measuring instruments, oil pressure, voltage etc. Thanks to the interface of the iSystem, all functions can be viewed at a glance which ensures the driver always maintains control of the sweeper.



Airflow capacity
14000 M³/H



Turning circle **ONLY**
5M (kerb to kerb)



Gradient up to **30%**



Only **15**
greasing points



Load capacity
of up to **5300 KG**



SUSTAINABILITY



Are you looking for extra functionality for your sweeper? Then a RAVO machine is the best option. Take advantage of the various optional add-ons and technologies to fully customise the RAVO 5 iSeries to meet your specific needs. A selection of our options:

ECO RESPONSIBILITY

WATER RECYCLING

The RAVO 5 iSeries uses as little water as possible thanks to its ingenious built-in water recycling system. This system prevents the unnecessary waste of clean water and ensures that your water supply lasts longer and significantly reduces particulate emissions.

HYDRAULIC WANDERHOSE

The hydraulic wanderhose is ideal for sucking up leaves and emptying gulleys and waste bins.

HYDRAULIC SUCTION TUBE SHUTTER

The hydraulically closable suction tube – located between the hopper and the cabin - opens and closes automatical-

ly when the fan is switched on and off. While in transport mode, this system automatically closes off the suction hose to prevent dirt in the hopper from running back into the suction tube. This option is particularly useful when combined with the wanderhose as it diverts all the suction power to this hose to provide it with maximum power when using the wanderhose.

THIRD BRUSH/WEEDCUTTER

The third brush increases the sweeping range of the RAVO 5 iSeries. This option enables drivers to clean pavements and road gutters more efficiently. When used in combination with the weed cutter brush, it is extremely suitable for the environmental friendly removal of weeds. This option can be equipped with a 'quick release' feature, which allows quick removal or installation of the third brush.

SILENT PACKAGE

The silent package reduces the noise levels of the RAVO 5 iSeries by over 10% which allows the opportunity to sweep early in the morning or late in the evening with lower noise pollution.

**The official noise tests were conducted by TÜV Germany.*



Hydraulic SOLUTIONS



INGENIOUS BUILT-IN WATER RECYCLING SYSTEM



ISO 14001 CERTIFIED

RAVO manages and, where possible, reduces the environmental risk of operation. Attention to the environment is defined in an environmental care system under the ISO 14001 and the ISO 9001 standard.



RECYCLING

RAVO builds its sweepers according to the circularity principle – this means that all the materials used are recyclable and can be reused. Therefore, the RAVO iSeries is 100% recyclable.



ELECTRIC SWEEPING

RAVO recognised the necessity of electrification some years ago, which led to the development of the RAVO 5 eSeries: the first fully electric sweeper in its class.



WE MEET YOUR NEEDS



CLEANING

SWASHER

Sweep and clean streets and pavements in one go with the Swasher. With this option, machine operators can clean the most difficult places, the street furniture and traffic signs. Using this system, you can choose different layouts for water pressure, water tanks and pumps. It is also possible to add disinfectants to the water system.

HIGH PRESSURE WATER PUMP

The high-pressure water pump is ideal for quickly cleaning the inside of the hopper, brush and suction system or street furniture.

SAFETY

CRUISE CONTROL

With this option, the driver can set the desired speed while sweeping so he can fully concentrate on the road and cleaning the streets.

360 DEGREE CAMERA

At RAVO, we put safety first. The 360-degree camera gives the driver a clear view of traffic and the surroundings of the sweeper.

HEAVY DUTY

THIRD BRUSH

The third brush is suitable for heavy-duty work, for example in road building settings and more rural areas. This brush will increase the machine's sweeping range and can easily collect the heaviest materials.

BRUSH ANGLE ADJUSTMENT

To clean gutters efficiently, the brushes can be adjusted to optimal angles to tackle hard-to-reach places.

INDEPENDENT BRUSH LIFTING

The brush lifting system allows the machine to lift the left and right brushes independently to prevent unnecessary wear. As a result of this, operators will experience an increased brush service life.

CONTAINER DUMP

The container dump option allows the collected waste to be deposited directly into a container. The dumping height is 1550mm.

HEAVY DUTY PACKAGE

For working in heavy and challenging conditions, the heavy-duty package provides a coated suction system and an optional heavy duty fan and can extend the service life of your machine.

INTELLIGENCE

TELEMATICS

Using Telematics, you can collect all the relevant data about your RAVO sweeper. This data is clearly displayed via a dashboard on the online platform to provide, at-a-glance, real-time data that allows you to optimise your planning and increase the efficiency of your fleet.



TELEMATICS

CONNECTIVITY PLATFORM

ISERIES

RAVO 5 iSeries TECHNICAL SPECIFICATIONS

Suction System



Airflow capacity	14,000 m ³ /h
Suction nozzle dimensions l x w	112 x 630 mm
Suction nozzle material	Corten steel (optional: wear-resistant coating)
Suction tube diameter	225 mm
Suction tube material	Stainless steel (optional: wear resistant coating)

Brush System



Type	Pulled brush system
Operation	Hydraulic with joystick
Available brush diameter	750 mm (option: 900 mm)
Brush rotation rate	0 - 210 rpm

Brakes & Electrical System



Front axle brakes	Hydraulic disc brakes
Rear axle brakes	Hydraulic drum brakes
Front suspension	Independent hydropneumatic suspension
Rear suspension	Rubber cone springs
Battery	2x 12/72 v/ah
Alternator	70 A
Voltage	24 V

Wellbeing



Noise LPA 74 dB (in cabin)
Noise LWA 110 dB (outside of cabin)

Maintenance



Hopper material	Stainless steel (interior) / ABS plastic cladding (exterior)
Number of lubrication points	15
Guarantee	2 years or 2000 engine hours (first limit reached is determining)

Optional Equipment



Max. brushing width incl. third brush	3300 mm
Leaf sucker / Wander hose	200 mm diameter
Third brush / weed brush	750 mm diameter / 900 mm diameter
Silent Package LWA	97 dB
High-pressure water pump	15 L per min. @ 150 bar
360 degree camera	Suction nozzle, side, back
Extra water capacity	Up to 1250 L

RAVO 5 iSeries ENGINE

Engine & Drive

Euro 6 D / E

Capacity	4.5 L
Max. torque	580 @ 1250-1940 rpm
Max. power	118 kW (160 hp) @ 2500 rpm
Type	Iveco Diesel 4 cylinder
Transport speed*	25 - 72 km
Drive	Hydrostatic (continuously variable hydraulic pump with hydraulic wheel motors)

*Depending on local legislation.

RAVO sweepers feature engines that meet the strictest emission standards. The RAVO 5 iSeries is supplied with an Euro 6 diesel engine.



1S iSERIES



5 SERIES

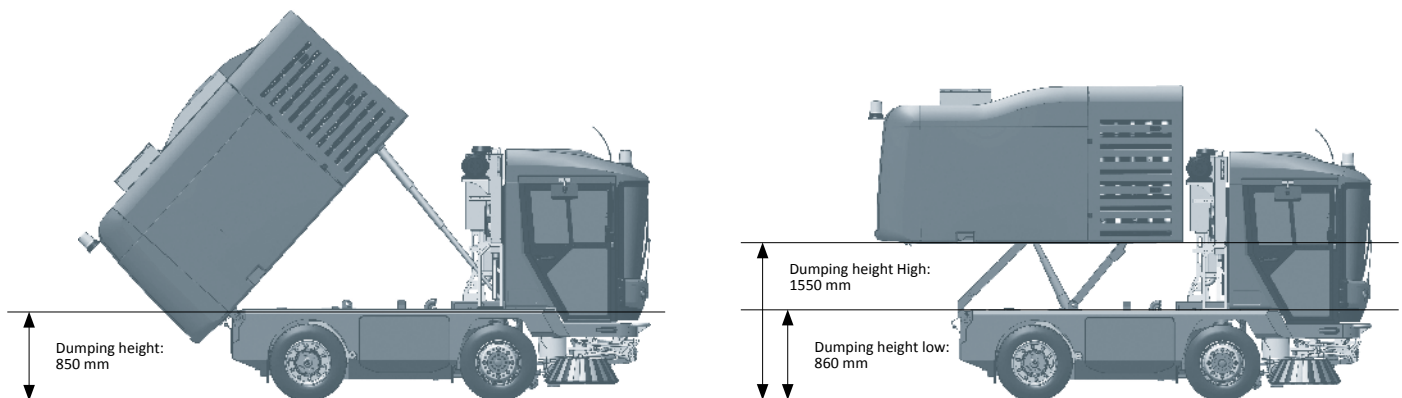


RAVO 5 iSeries DIMENSIONS, WEIGHTS, CAPACITIES

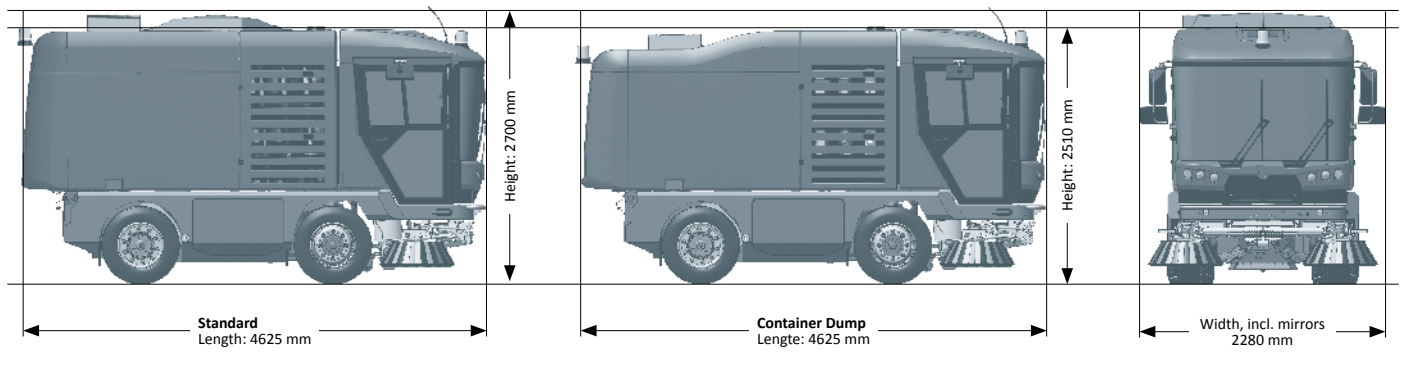
Dimensions*	Standard	Container Dump
Volume	5 m ³	4 m ³
Length	4625 mm	4625 mm
Height	2700 mm	2510 mm
Dumping height	850 mm	860 - 1550 mm
Width, incl. mirrors	2280 mm	2280 mm
Wheelbase	1916 mm	1916 mm
Brushing width	2200 - 2400 mm	2200 - 2400
Climbing ability	Up to 30% gradient	Up to 30% gradient
Vehicle weight	11400 kg	11400 kg
Min. total kerb weight	6140 kg	6350 kg
Max. load capacity	5260 kg	5050 kg

*Depending on model

Standard / Container Dump



Afmetingen



Every effort has been made to ensure that the information in this brochure is correct. RAVO B.V. is not responsible for printing errors or administrative errors.



RAVO 5 iSeries • 12/2021



RAVO B.V.
P.O. Box 286, 1800 AG Alkmaar
Otterkoog 1, 1822 BW Alkmaar
The Netherlands

T +31 (0) 72 567 32 32

ravo.fayat.com
environmentalsolutions.fayat.com

