

# LIFTS

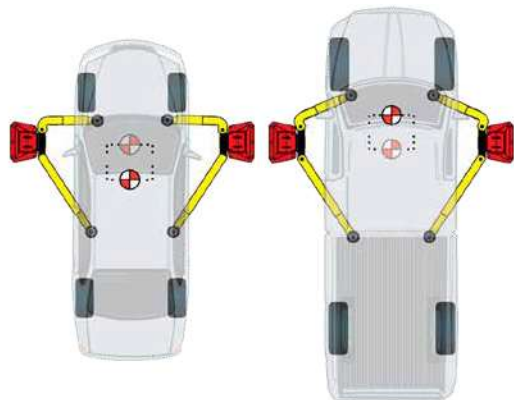


# HYDRAULIC LIFT

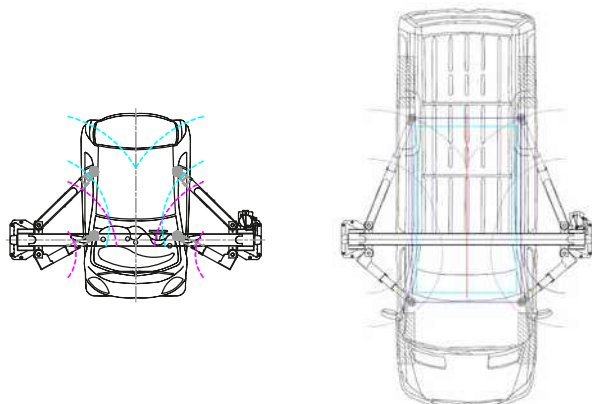
## DUOLIFT® HL 4500 THE INDEPENDENT SHOP LIFT

Covers a big variety of vehicles:  
from the smallest size  
up to medium size vans

### Versymmetric® Technology: The ideal solution



It combines the advantages of an asymmetric and a symmetric lift and improves the ergonomics when placing the arms to lift the car



Thanks to the **Versymmetric® Technology** vehicles with short (i.e. Smart) as well as long wheel base (i.e. mid size vans) can be lifted comfortably

(For information only, please check vehicle manufacturers lifting point guide)

### Power Pack

European made.  
It is mounted high thus offering reduced noise performance

### Flexible Installation

The lift is available in 2 versions that can be installed in 2 different heights (low and high):

- STD: switch-off height 3.755 mm or 4.105 mm
- TALL: switch-off height 4.405 mm or 4.755 mm



### Controls

Positioned in an ergonomic place on the primary column with clear indications of each push button



### Shut-off bar

prevents cars to be damaged should they touch the upper part of the lift



### Comfort lowering

The lift will automatically go up a little bit to release the carriage from the safety lock and will then automatically lower the vehicle

### CE stop

instead of mechanical foot protectors to ensure optimum safety

### Safety lock

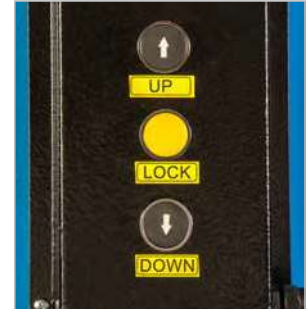
The lock is active during the complete lifting process, by simply pressing the lock button the carriage can be set into the lock whenever wanted / required



### Remote control box

to be mounted on the secondary column (optional)

PROMO until end 2019



### Carriage

a rubber protection on the carriage ensures that there are no damages to the car door



### Versymmetric®

### 3 Stage arms

Allows always perfect access to the pick up points of every vehicle

