

METAL PROCESSING

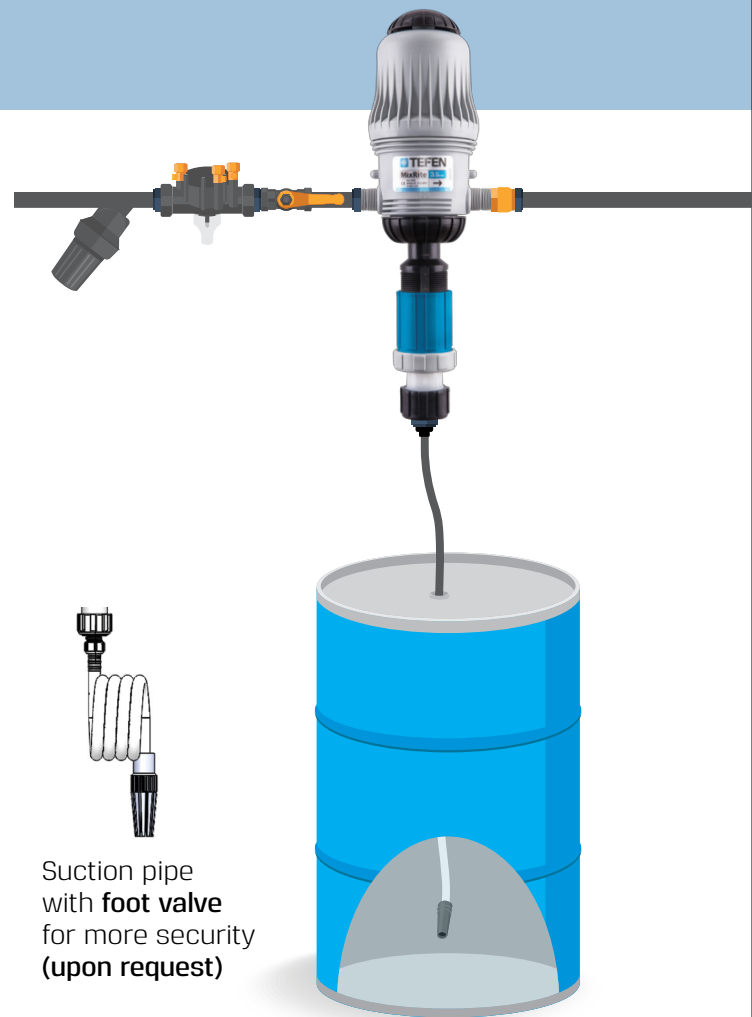
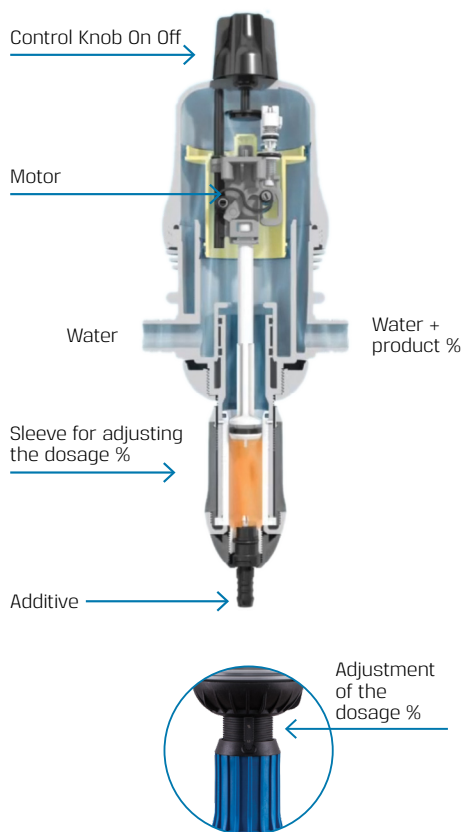
————— SOLUTIONS —————

MixRite



General features:

- Guarantee: 1 year
- Excellent repeatability
- Pressure loss: 0.2-3 Bar depending on the flow
- Water temperature: 4-40°C
- Maximum height of the suction pipe: 3m
- Housing: reinforced polypropylene (PP)
- Seals: AFLAS / VITON



The benefits of Mixrite:

- Hydraulic, Volumetric, and non-electric
- Works great at low flow rates and supports flow rates up to 3500 l/h
- Very good resistance to aggressive chemicals and UV. (no metal parts)
- High dosing precision (good repeatability / homogeneous mixing)
- Easy and precise dosage adjustment
- An integrated On/Off button allows the injection to be stopped without turning off the water
- No possible deactivation thanks to the foot valve at the end of the suction pipe
- Easy installation. This pump can remain in water. Easy maintenance, it can be completely disassembled by hand

Applications



Cleaning and degreasing the parts



Refrigerant fluids



Surface treatment



Machining

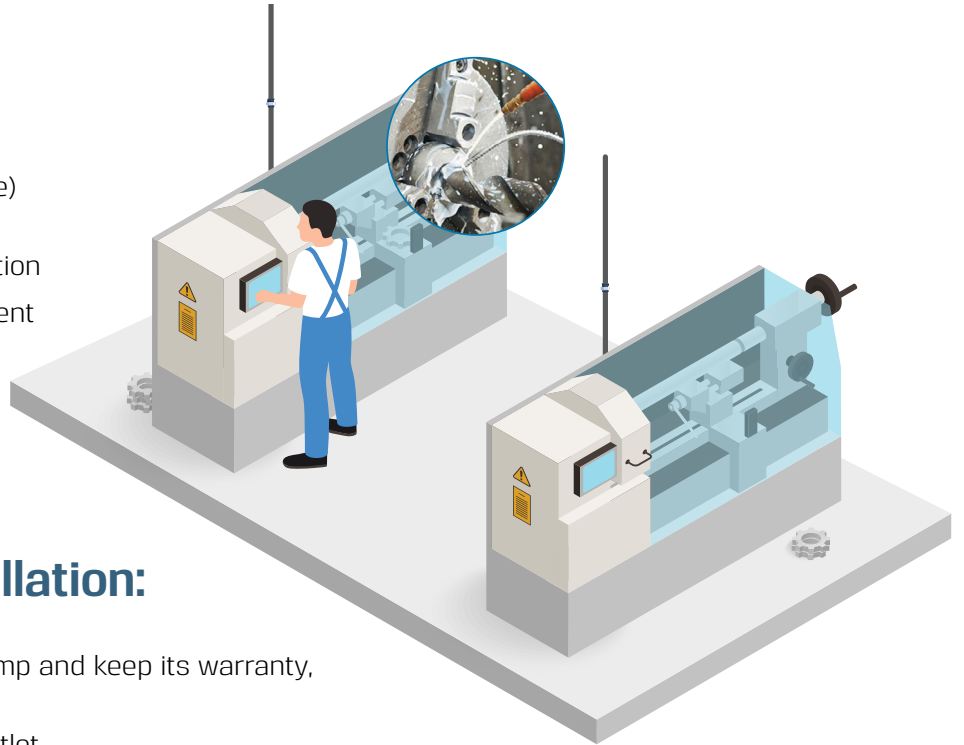


Additives for Vibro-abrasion

This pump is suitable for both centralized and manual feeding (filling of: machine/equipment/back-up tanks).

While operating, it is possible to:

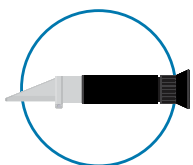
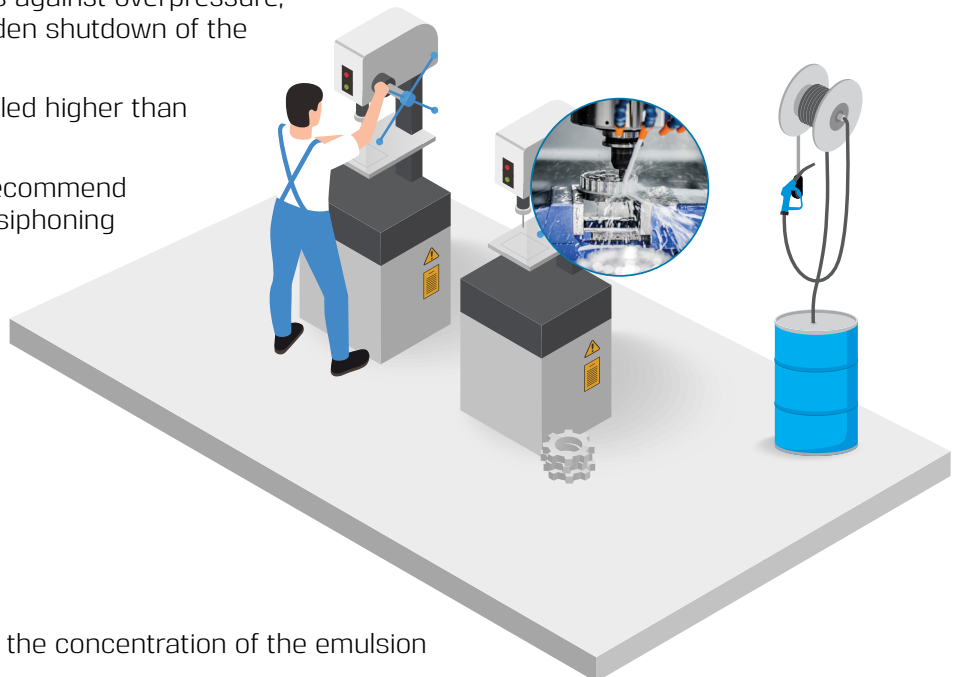
- Leave it in water (under pressure) without risk of breakage
- Modify the dosage during operation
- Power several pieces of equipment simultaneously



Recommended installation:

To optimize the longevity of your pump and keep its warranty, we recommend that you install:

- A valve at the pump inlet and outlet
- A 130 micron filter (install upstream) depending on the quality of the water
- Install the necessary protections against overpressure, overflow or water hammer (sudden shutdown of the water network)
- The pump must always be installed higher than the product drum
- To shut down the network, we recommend to first close the outlet to avoid siphoning



Concentration measurement

- Use a refractometer to measure the concentration of the emulsion
- An initial calibration of the dosing pump is necessary to validate the final concentration and ensure proper operation
- The concentration percentage is adjusted by turning the adjusting sleeve to the displayed value

Tefen Dosing Pumps



MixRite 3.5 Series

0.03-0.2%, 0.1-0.9%,
0.3-2%, 0.5-5%, **1-10%**

Water pressure	02 - 8 bar (2.9-120 psi)
Flow	10 - 3500 l/h (2.65-930 gal/h)
Weight	1.8 kg (4 pound)
Fitting	3/4"

* 1-10%: 3 kg

Package contents:

A dosing pump / manual /
suction pipe and suction strainer /
wall bracket / 1st maintenance kit



About Tefen

TEFEN is one of the world leaders in the production of fittings and a wide range of volumetric and eco-friendly dosing pumps.

The Tefen product range of MixRite proportional dosing pumps operate without electricity; the sole driving force being the flow and pressure of the water network. It is used to accurately guarantee the correct dosage of the product in the water regardless of the dosage percentage, flow rate or pressure.

These extremely durable injectors are made from composite materials that are resistant to weather conditions and chemicals.

The Tefen MixRite dosing pump is simple and easy to use. The system has proved itself in more than 90 countries.

Tefen is ISO 9001 2015 certified.



TEFEN LTD. Kibbutz Nahsholim 3081500 Israel | Tel. 972 4 6395944 | Fax. 972 4 6390813 | info@tefentech.com | www.tefentech.com

For the removal of any doubt, this documents does not constitute an offer on the part of Tefen and/or any undertaking on its part. Tefen may change the content of this document and/or the technical specifications of the products and/or add and/or remove products and/or change prices and/or any terms and conditions specified in this document at any time and upon its sole discretion without any prior notice.