

## Oil-less or lubricated technology

Minivac plants are most appropriate for customers looking for high flow within a small package. Available with PS, ARICA, or EVISA pumps, they can be installed easily and quickly.



- Compact and independent vacuum plant
- Oil-less piston vacuum pumps (PS)  
or oil-less rotary vane vacuum pumps (ARICA)  
or lubricated rotary vane vacuum pumps (EVISA)
- Regulation by LG7 (mechanical vacuum switch with 2 thresholds)
- Receiver : 70 litres
- Ready-to-use plant
  
- 2 pumps version available upon request

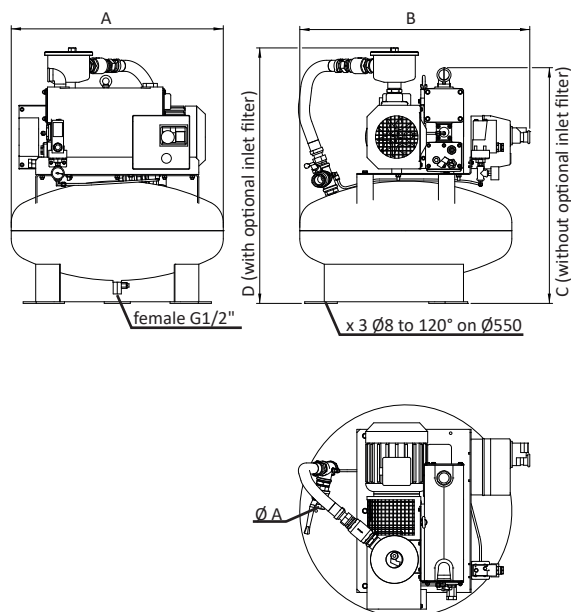
### Characteristics

	Nominal flow rate m <sup>3</sup> .h <sup>-1</sup>		Electrical motor kW		Receiver capacity l	Control board	Noise level dB(A)	Weight kg
	50 Hz	60 Hz	50 Hz	60 Hz				
<b>Minivac 1 PS 2V</b>	2,8	3,3	0,25	0,25	70	LG7	57	30
<b>Minivac 1 PS 5V</b>	4,8	5,4	0,3	0,3	70	LG7	57	36
<b>Minivac 1 PS 7V</b>	6,4	7,2	0,38	0,38	70	LG7	57	36
<b>Minivac 1 PS 12V</b>	10	17	0,58	0,58	70	LG7	57	36
<b>Minivac 1 PS 5VH</b>	3,4	3,9	0,3	0,3	70	LG7	57	36
<b>Minivac 1 PS 7VH</b>	4,7	5,4	0,38	0,38	70	LG7	57	36
<b>Minivac 1 PS 12VH</b>	6	6,5	0,58	0,58	70	LG7	57	36
<b>Minivac 1 Arica 3VK</b>	4	4,8	0,25	0,30	70	LG7	58	30
<b>Minivac 1 Arica 6VK</b>	7	8,4	0,30	0,36	70	LG7	59	36
<b>Minivac 1 Arica 12V</b>	10	12	0,37	0,44	70	LG7	60	44
<b>Minivac 1 Arica 17V</b>	16	19	0,55	0,66	70	LG7	63	53
<b>Minivac 1 Arica 27V</b>	25	30	0,75	0,90	70	LG7	64	58
<b>Minivac 1 E25</b>	30	35,3	0,75	0,90	70	LG7	60	85
<b>Minivac 1 E40</b>	47,7	57,2	1,1	1,3	70	LG7	62	100

# Automatic vacuum plants

## for industrial applications

### Dimensions (mm)



	A	B	C	D	Ø A
<b>Minivac 1 PS 2V</b>	650	705	660	680	1/2"
<b>Minivac 1 PS 5V</b>	650	705	660	680	1/2"
<b>Minivac 1 PS 7V</b>	650	705	660	680	1/2"
<b>Minivac 1 PS 12V</b>	650	705	700	720	1/2"
<b>Minivac 1 PS 5VH</b>	650	705	660	680	1/2"
<b>Minivac 1 PS 7VH</b>	650	705	660	680	1/2"
<b>Minivac 1 PS 12VH</b>	650	705	700	720	1/2"
<b>Minivac 1 Arica 3VK</b>	650	705	565	585	1/2"
<b>Minivac 1 Arica 6VK</b>	650	705	585	615	1/2"
<b>Minivac 1 Arica 12V</b>	650	705	630	680	3/4"
<b>Minivac 1 Arica 17V</b>	650	705	675	760	3/4"
<b>Minivac 1 Arica 27V</b>	650	705	675	760	3/4"
<b>Minivac 1 E25</b>	650	705	725	785	3/4"
<b>Minivac 1 E40</b>	650	705	725	785	1"

### Plants references

		PS 2V	PS 5V	PS 7V	PS 12V	PS 5VH	PS 7VH	PS 12VH
<b>Minivac 1 PS</b>	1ph, 230V	<b>970101</b>	<b>970273</b>	<b>914930</b>	<b>919059</b>	<b>916070</b>	<b>916071</b>	<b>919060</b>
		3 VK	6 VK	12 V	17 V	27 V		
<b>Minivac 1 ARICA</b>	1ph, 230V	<b>916769</b>	<b>916770</b>	-	-	-		
<b>Minivac 1 ARICA</b>	3ph, 400V	-	-	<b>916771</b>	<b>916772</b>	<b>916773</b>		
		E25	E40					
<b>Minivac 1 EVISA</b>	1ph, 230V	<b>916765</b>	<b>916767</b>					
<b>Minivac 1 EVISA</b>	3ph, 400V	<b>916300</b>	<b>916766</b>					

### Accessories and option references

		PS 2V	PS 5V	PS 7V	PS 12V	PS 5VH	PS 7VH	PS 12VH
<b>Suction filter</b>	Paper	25PA <b>358225</b>	25PA <b>358225</b>	25PA <b>358225</b>	25PA <b>358225</b>	25PA <b>358225</b>	25PA <b>358225</b>	51PA <b>357947</b>
<b>Suction hose</b>		<b>670177</b>	<b>670177</b>	<b>670177</b>	<b>670177</b>	<b>670177</b>	<b>670177</b>	
		3 VK	6 VK	12 V	17 V	27 V		
<b>Suction filter</b>	Paper	25PA <b>714926</b>	51PA <b>610502</b>	51PA <b>357947</b>	76PA <b>706190</b>	76PA <b>706190</b>		
<b>Suction hose</b>		<b>618981</b>	<b>618981</b>	<b>712931</b>	<b>712926</b>	<b>712926</b>		
		E25	E40					
<b>Suction filter</b>	Paper	76PA <b>715347</b>	100PA <b>714975</b>					
	Polyester	76PO <b>715348</b>	100PO <b>714976</b>					
<b>Suction hose</b>		<b>712926</b>	<b>715394</b>					