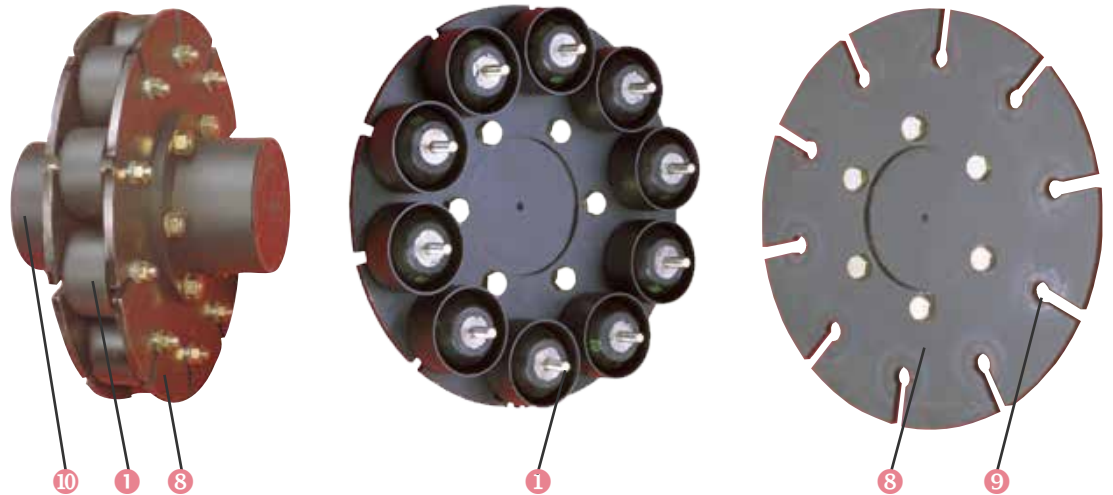
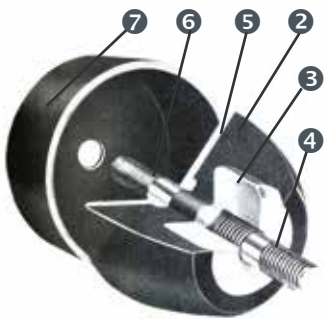


RADIAFLEX® RTP

* Torsional flexibility
 * Radial flexibility
 See Data Sheet Axial flexibility
 Conical flexibility



DESCRIPTION



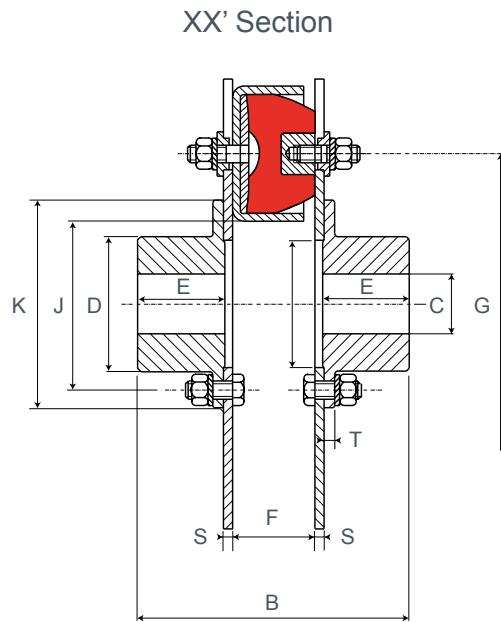
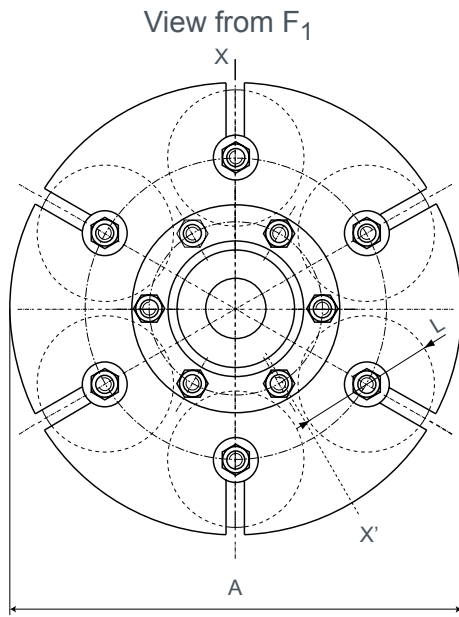
- Flexible element made up of a variable number of flexible studs
 - ① depending on the torque to be transmitted.
 - ② Solid natural rubber blocks in the form of a truncated cone.
 - ③ Internal armature bonded to the rubber.
 - ④ Threaded stud.
 - ⑤ External armature bonded to the rubber.
 - ⑥ Studding welded to armature.
 - ⑦ Cylindrical metal cover.
- Steel disks
 - ⑧ Two identical disks, bolted to the flanges ⑩ and with slits ① to house the studs ⑨.
- Flanges
 - ⑩ die-cast steel.

OPERATION

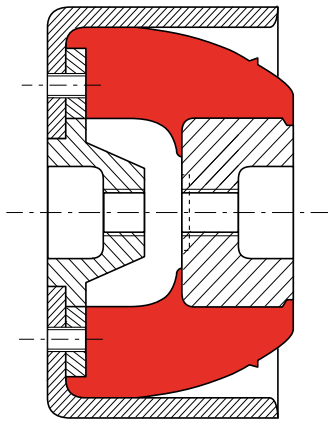
The RADIAFLEX RTP coupling is designed with the following features :

- the studs can be removed radially without moving the coupled machines;
- at low and average torque : the rubber operates under compression;
- at high torque : there is progressive thrust of the rubber against the metal cover ③;
- safe in use;
- it can absorb the effects of tension or compression axially (for example: push and pull of a helical screw).

DIMENSIONS



Alternative mount :



The alternative mount **526401Δ60** is softened. It's radial stiffness is equal to 2/3 of the standard mounting ref. **522131Δ60**.

Warning : a coupling equipped with the alternative mounts **526401** can only transmit 80% of the torque of the standard version.

Ref. 526401Δ60

Ref.	Nominal torque (N.m)	Max torque (N.m)	Max speed (rpm)	Hole size C (mm)		A (mm)	B (mm)	D (mm)	E (mm)	Type	F (mm)	G (mm)	H (mm)	J (mm)	K (mm)	L (mm)	S (mm)	T (mm)	Weight (kg)
				min	max														
612203	470	1 000	3 000	18	60	270	181	86	60	RTP 2.3	55	180	85	115	138	90	6	7	13
612204	630	1 250	3 000	18	60	270	181	86	60	RTP 2.4	55	180	85	115	138	90	6	7	15
612206	1 100	2 200	3 000	18	60	300	185	86	60	RTP 2.6	55	200	85	115	138	90	8	7	28
612208	1 800	3 600	2 500	23	80	364	235	115	85	RTP 2.8	55	264	115	145	168	90	8	9,5	45
612406	2 500	5 000	1 500	28	100	420	299	145	102	RTP 4.6	80	280	145	180	210	130	10	12,5	77
612210	2 800	5 600	2 500	28	100	424	274	145	102	RTP 2.10	55	324	145	180	210	90	10	12,5	72
612212	4 100	8 200	2 000	28	120	475	345	177	136	RTP 2.12	55	380	178	213	247	90	12	16	103
612408	4 500	9 000	1 500	28	120	510	370	177	136	RTP 4.8	80	370	178	213	247	130	12	16	127
612410	6 900	13 500	1 500	28	120	600	382	177	136	RTP 4.10	80	460	178	213	247	130	18	16	178
612412	9 700	20 000		32	150	680	424	210	155	RTP 4.12	80	540	178	260	290	130	20	18	253
612416	17 500	35 000		32	150	860	424	210	155	RTP 4.16	80	720	178	260	290	130	20	18	330
612606	17 500	35 000		32	155	826	687	220	250	RTP 6.6	147	580	200			246	30		590
612608	34 000	68 000		32	220	1 096	827	320	320	RTP 6.8	147	850	320			246	30		1 140
612612	60 000	120 000		32	200	1 246	827	275	320	RTP 6.12	147	1 000	250			246	30		1 200
612613	72 000	140 000		32	360	1 446	827	540	320	RTP 6.12	147	1 200	500			246	30		2 200
612616	104 000	200 000		35	360	1 546	887	540	350	RTP 6.16	147	1 300	500			246	30		2 500

1 N.m ≈ 0,1 mkg

Please see current price list for availability of items.

The maximum torque is considered to be an infrequent start-up torque and is not periodic.

OPERATING CHARACTERISTICS

Nominal torque (N.m)	Vibrat. coupling (N.m)	Torsion under NT (degrees)	Stiffness				
			Axial compr. (daN/mm)	Axial compres. (daN/mm)	Axial tension (daN/mm)	Radial (daN/mm)	Torsional (m. KN/radian)
470	235	3° 10'	375	300	105	8,6	10,3
630	315	3° 10'	500	400	140	11,4	20,6
1 100	550	2° 50'	750	600	210	21,2	86
1 800	900	2° 10'	1 000	800	280	49,3	114
2 500	1 250	2° 15'	1 500	1 200	330	65,5	86
2 800	1 400	1° 50'	1 250	1 000	350	92,6	229
4 100	2 050	1° 30'	1 500	1 200	420	160	573
4 500	2 250	1° 40'	2 000	1 600	440	152	460
6 900	3 450	1° 25'	2 500	2 000	550	292	1 030
9 700	4 850	1° 10'	3 000	2 400	660	482	
17 500	8 750	0° 50'	4 000	3 200	880	1 140	
17 500	8 750	2° 10'	3 000	1 800	550	458	
34 000	17 000	1° 30'	4 000	2 400	730	1 320	
60 000	30 000	1° 15'	6 000	3 600	1 100	2 700	
72 000	36 000	1°	6 000	3 600	1 100	3 900	
104 000	52 000	0°50'	8 000	4 800	6 100	6 100	

PARTS LIST

FLEXIBLE STUDS, DISK AND FLANGES

Coupling part number	Flexible element		Flange		Disk Reference	Qty
	Reference	Qty	Reference	Qty		
612203	522090 Δ 60	3	321138	2	351103	2
612204	522090 Δ 60	4	321136	2	351110	2
612206	522090 Δ 60	6	321138	2	351122	2
612208	522090 Δ 60	8	321147	2	351133	2
612210	522090 Δ 60	10	321154	2	351142	2
612212	522090 Δ 60	12	321167	2	351152	2
612406	522131 Δ 60	6	321154	2	351125	2
612408	522131 Δ 60	8	321167	2	351134	2
612410	522131 Δ 60	10	321167	2	351143	2
612412	522131 Δ 60	12	321191	2	351157	2
612416	522131 Δ 60	16	321191	2	351170	2
612606	522240 Δ 45 et 60	6	321189	2	351124	2
612608	522240 Δ 45 et 60	8	321193	2	351135	2
612612	522240 Δ 45 et 60	12	321182	2	351155	2
612613	522240 Δ 45 et 60	12	321195	2	351156	2
612616	522240 Δ 45 et 60	16	321197	2	351169	2

FIXING FOR FLANGES AND DISCS. LOCATING SLEEVES

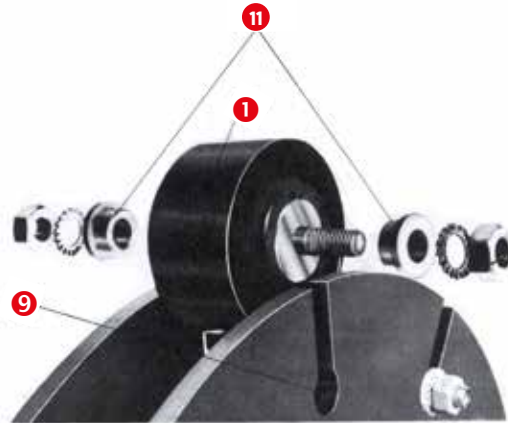
Coupling part number	Flexible element		Flange		Elastic element Reference	Qty
	Reference	Qty	Reference	Qty		
612203	337216	1	337217	1	337217	1
612204	337206	1	337207	1	337208	1
612206	337209	1	337210	3	337211	2
6122008	337206	2	337210	4	337208	2
612210	337565	1	337227	1	337208 - 337228	2 - 1
612212	337229	1	337230	1	337208	3
612406	337675	1	337226	1	337215	1
612408	337229	1	337231	1	337232	2
612410	337233	1	337234	1	337215 - 337232	1 - 1
612412	337676	1	337237	3	337232	3
612416	337676	1	337237	4	337232	4
612606			351282	12		
612608			351282	16		
612612			351282	24		
612613			351282	24		
612616			351282	32		
	Please consult our Technical Service				Please consult our Technical Service	

References written in bold are kept in stock.

ASSEMBLY

Method :

- mount each of the flanges onto the ends of the corresponding shafts;
- use the specially machined recess to centre the disks onto the flanges and screw together;
- attach the external armature of the studs to the appropriate disk;
- attach the internal armature of the studs to the other disk.



Note :

The slits ⑨ are designed to take the loose locating sleeves ⑪ to enable the individual flexible studs ① to be mounted and removed radially.

Torque to be applied to the stud fixing bolts :

- Stud RTP2 : 522090 Ø 12 ➔ 75 N.m.
- Stud RTP4 : 522131 Ø 16 ➔ 185 N.m.
- Stud RTP6 : 522240 Ø 24 ➔ 640 N.m.