

MLT-SERIES

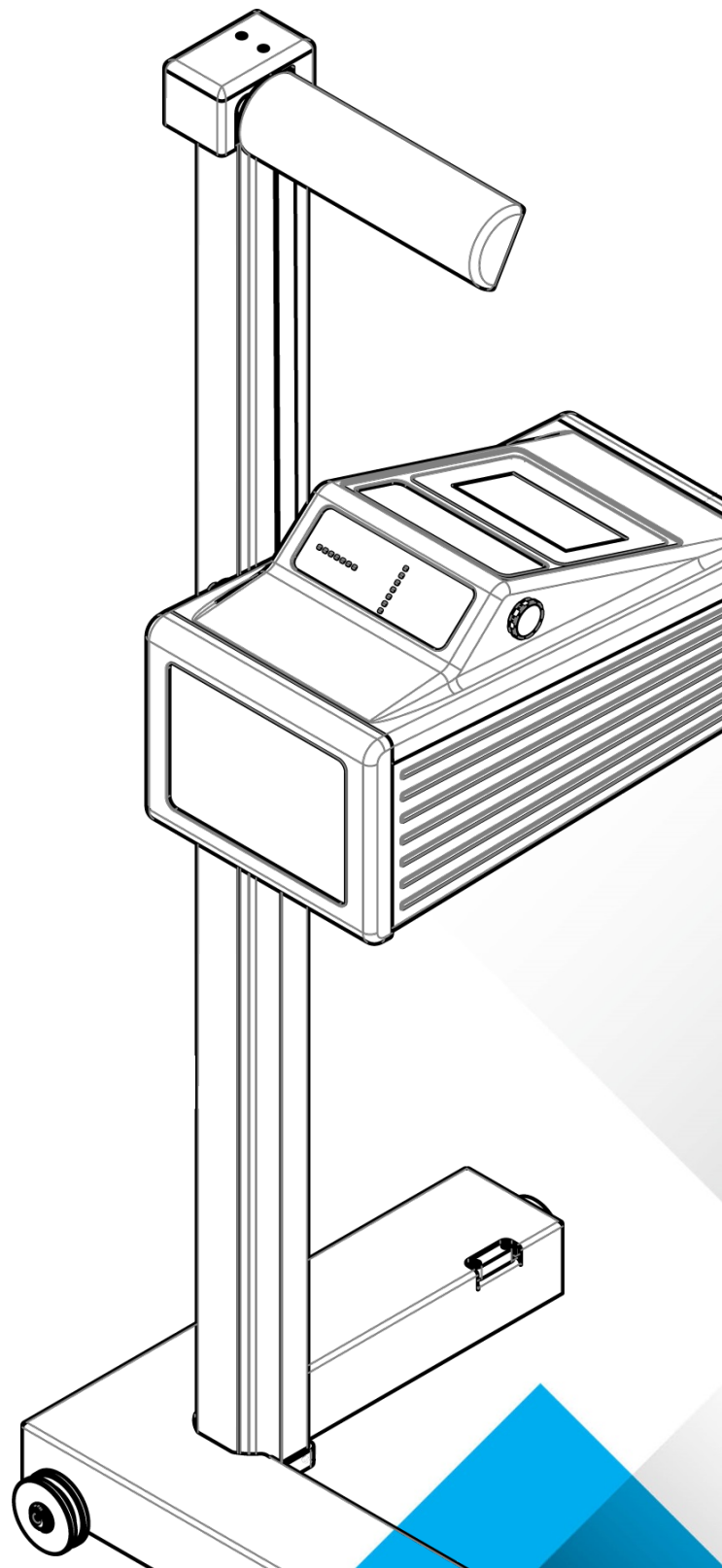


MLT 3000

Headlight Tester

Parts Breakdown

ET380701-en



© MAHA Maschinenbau Haldenwang GmbH & Co. KG

Legal notice based on ISO 16016:

The reproduction, distribution and utilization of this document as well as the communication of its contents to others without explicit authorization is prohibited. Offenders will be held liable for the payment of damages. All rights reserved in the event of the grant of a patent, utility model or design.

The contents of this edition have been checked with great care. However, errors cannot be fully excluded. Subject to technical change without notice.

Document

Document No.: ET380701-en
Approval Date: 2019-03-18

Manufacturer

MAHA Maschinenbau Haldenwang GmbH & Co. KG
Hoyen 20
87490 Haldenwang
Germany

Phone: +49 8374 585 0
Fax: +49 8374 585 590
Mail: maha@maha.de
Web: <http://www.maha.de>

Service

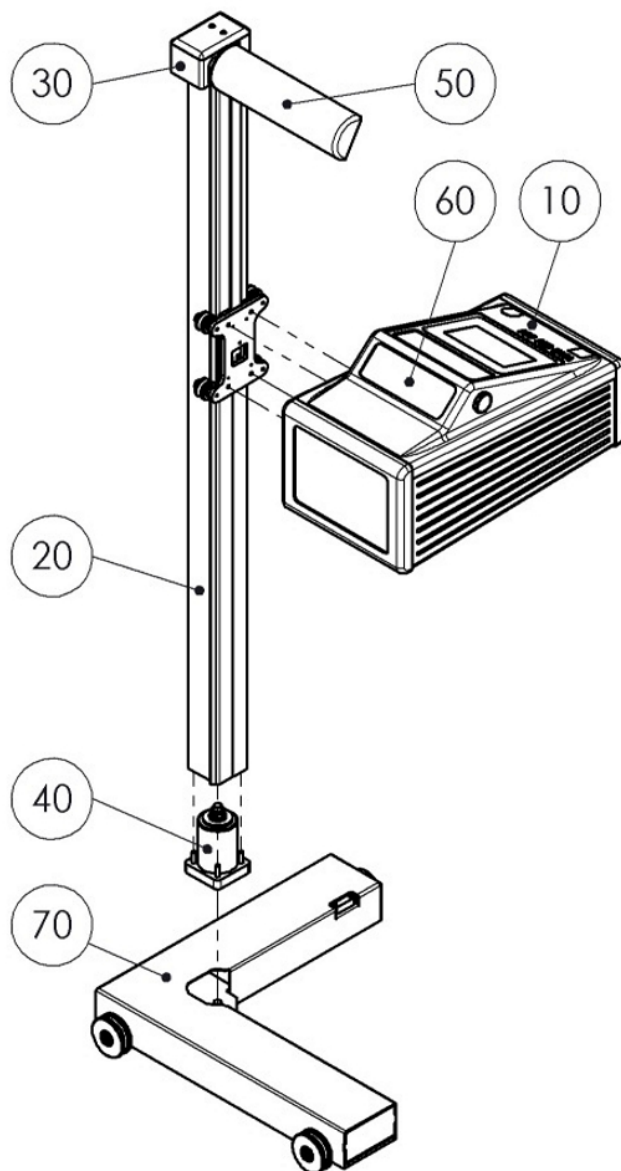
MAHA SERVICE CENTER
AutomoTec GmbH
Maybachstraße 8
87437 Kempten
Germany

Phone: +49 8374 585 100
Fax: +49 8374 585 491
Mail: service@automo-tec.com
Web: www.automo-tec.com

Contents

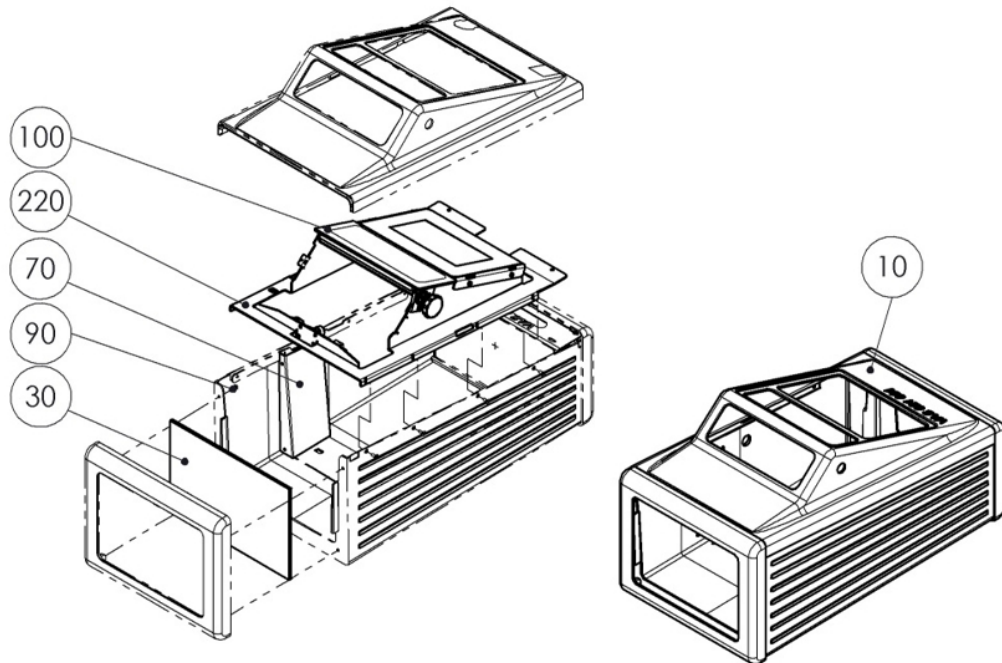
1	Headlight Tester	4
1.1	Case	6
1.1.1	Frame	7
1.1.2	Special Components MLT 3000 F	8
1.2	Column Head.....	10
1.3	Carriage	12
1.3.1	Carriage (Rails).....	12
1.3.2	Carriage (Gauge 560mm / Hexagon)	13
1.3.3	Carriage (Rubber Wheels).....	14
1.3.4	Carriage (Half-Round).....	15
2	Guide Rails	16
2.1	Guide Rails 1.75m, Surface Mounted (VZ 930045)	16
2.1.1	Small Parts (for One Guide Rail).....	17
2.1.2	Small Parts (Add-on)	18
2.2	Guide Rails, 1.75m, In-Ground (VZ 930055)	19
2.2.1	Guide Rail 1.75m, In-Ground.....	20
2.3	Extension, 0.5m, Surface Mounted (VZ 930056).....	21
2.3.1	Small Parts.....	22
2.4	Extension, 0.5m, In-Ground (VZ 930057).....	23
2.4.1	Extension, 0.5m, In-Ground	24
2.5	Guide Rail Half-Round, VA 1.5m Surface Mounted (VZ 930102)	25
2.6	Guide Rail Half-Round, VA 3m Surface Mounted (VZ 930101)	26
2.7	Guide Rail Half-Round, VA 1.5m In-Ground (VZ 930100)	27
2.8	Guide Rail Half-Round, VA 3m In-Ground (VZ 930099)	28
3	Labels	29
4	Electrical Equipment	30
4.1	MCD Desk	33

1 Headlight Tester



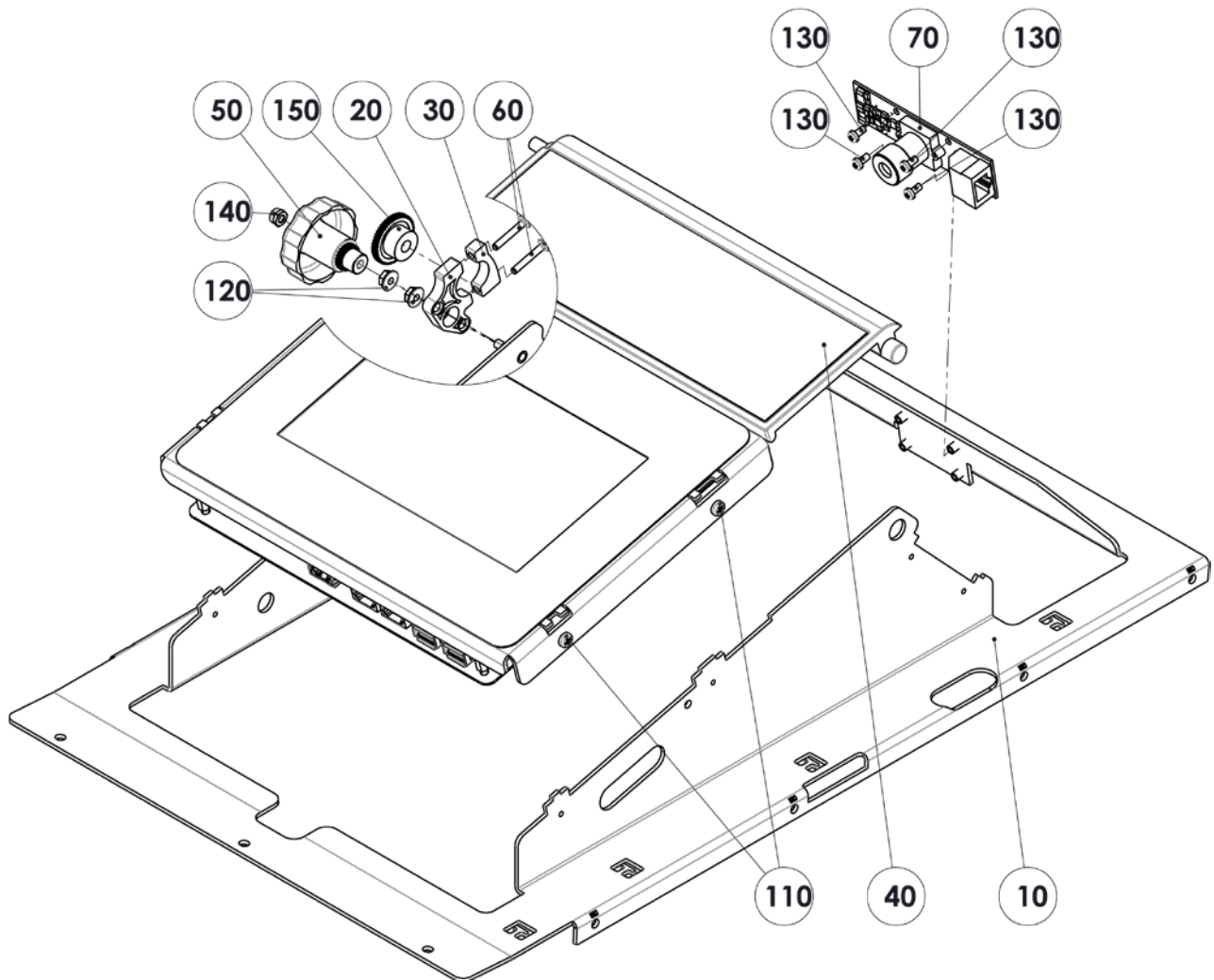
No.	Spare Part	Description	Tooltip	Article Number
10	Case, Assy	MLT 3000	See Section "Case"	030380 00068 0
	Case, Assy	MLT 3000 F	See Section "Case"	030380 00108 0
	Cover Hood			23000610
20	Column			020380 00150 0
30	Column Head	Assy	See Section "Column Head"	030380 00071 0
40	Bearing Bracket	Assy		03 38 10050
50	Mirror	Standard		030380 00083 0
	Mirror	Laser		030380 00098 0
60	Inspection Window			23000490
	Display Unit			030380 00095 0
70	Carriage	Rails	See Section "Carriage"	030380 00069 0
	Carriage	Gauge 560mm / Hexagon	See Section "Carriage"	030380 00091 0
	Carriage	Rubber Wheels	See Section "Carriage"	030380 00093 0
	Carriage	Half-Round	See Section "Carriage"	030380 00094 0

1.1 Case





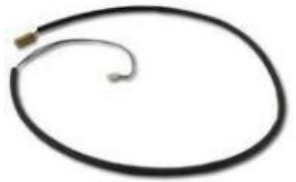

No.	Spare Part	Description	Tooltip	Article Number
10	Case	Assy		030380 00066 0
30	Lens			23000481
70	Cover Plate			020380 00108 0
90	Screw			23000440
100	Inspection Window	with adhesive strip		23000459
220	Electronic Module		See Section „Frame“	030380 00072 0

1.1.1 Frame

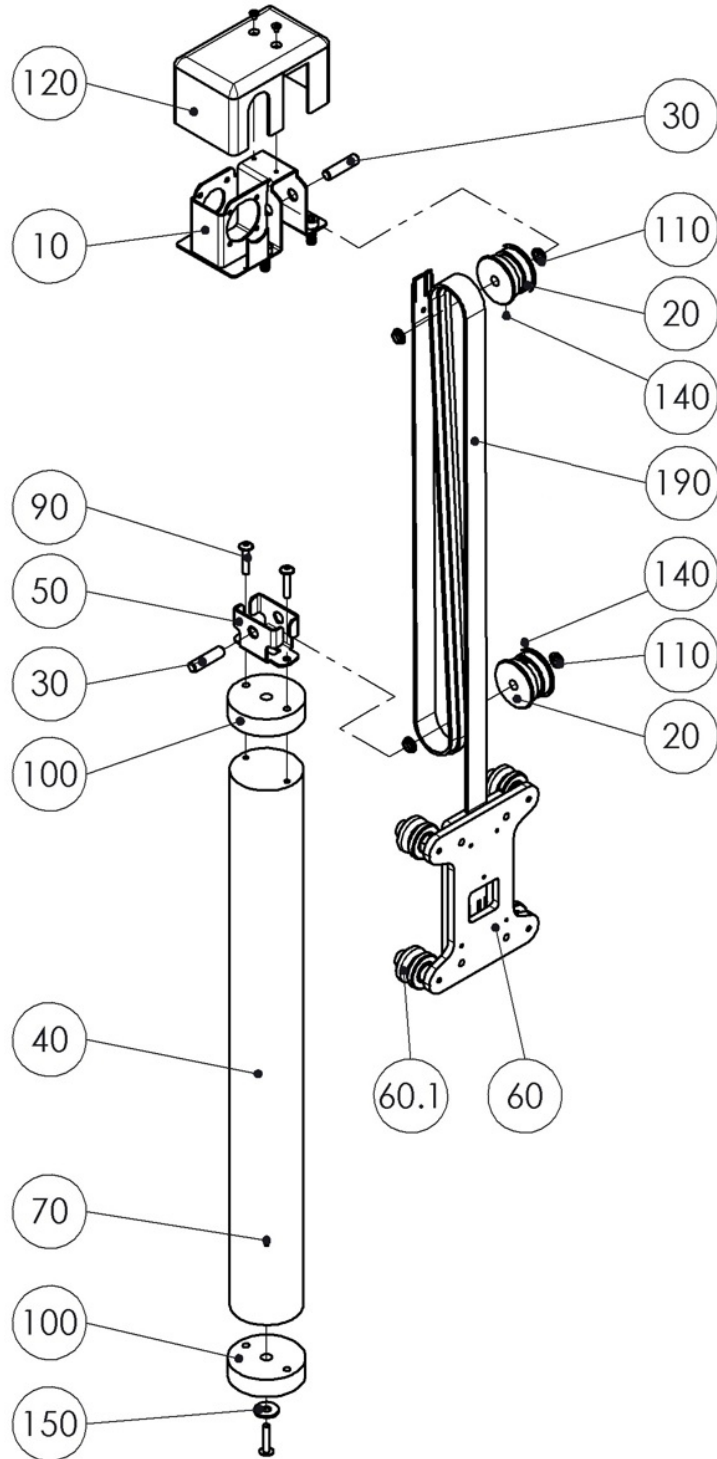


No.	Spare Part	Description	Article Number
10	Frame		030380 00078 0
20	Support Plates		020380 00251 0
30	Clamping Plate		020380 00252 0
40	Mirror		23000460
50	Turning Handle		020380 00473 0
60	Plastic Bolt	Ø3x20	23000536
70	Printed Circuit Board	internal Camera	52 0281
110	Lens Sheet Screw	HC3,5x6,5	22 7981 035065 3
120	Flange Nut	M4-8	22 6923 04 1
130	Pan Head Screw	M3x6-4.8-H vz	22 7985 03006 1
140	Hex Nut	M4-8 vz Self-Locking	22 0985 04 1
150	Gear Wheel		23000464

1.1.2 Special Components MLT 3000 F

No.	Spare Part	Description	Article Number	
10	Distance Sensor		51 3164	
20	Cable Harness	3-pin	51 4119	
30	Dot Laser with Cable		52 0777	
40	OTC-LAN Converter		030380 00109 0	

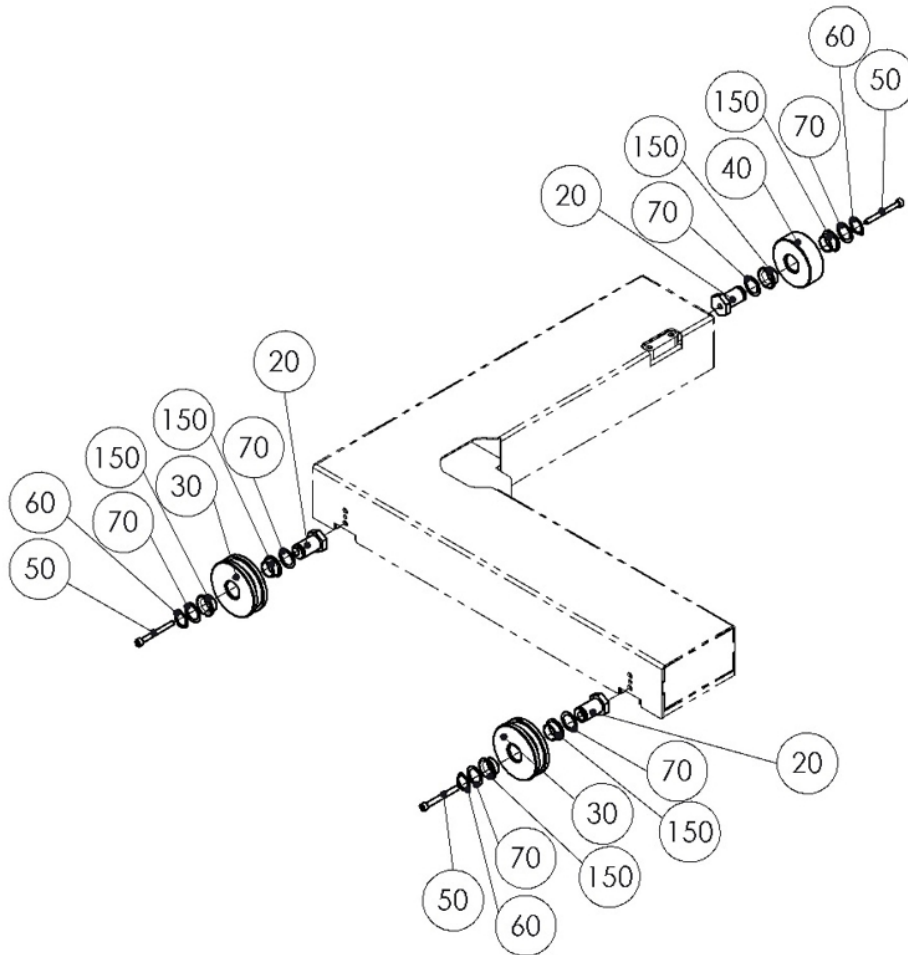
1.2 Column Head



No.	Spare Part	Description	Article Number
10	Base Frame		030380 00080 0
20	Sheave		020380 00124 0
30	Shaft		020380 00125 0
40	Counterweight		020380 00130 0
50	Guide Plate		020380 00131 0
60	Carriage		030380 00082 0
60.1	Carriage Roller		020380 00141 0
70	Dowel Pin	3x20	22 1481 03020
90	Binding Head Screw	M6x30	23 3090
100	Guide		02 38 10055
110	Friction Bearing		24000044
120	Cover		030380 00088 0
140	Threaded Pin	M4x6	22 0914 04006
150	Washer	A8.4	22 9021 08 1
190	Belt	Assy	61 MLT3000 RIEM

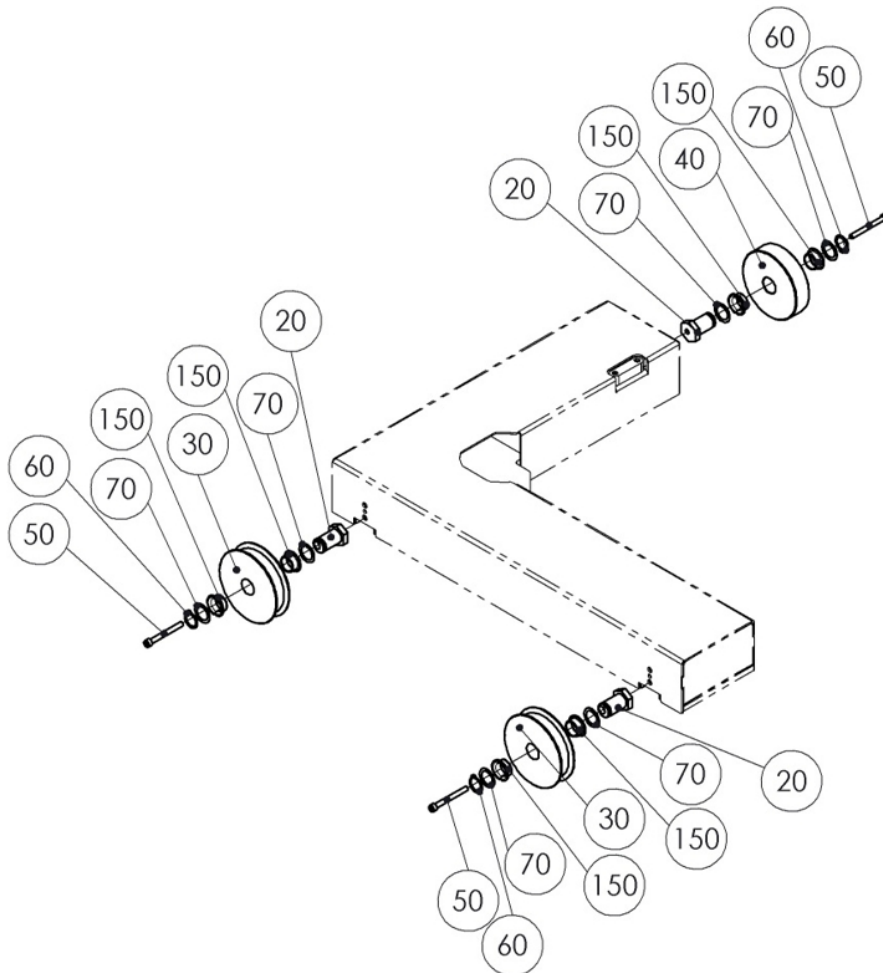
1.3 Carriage

1.3.1 Carriage (Rails)



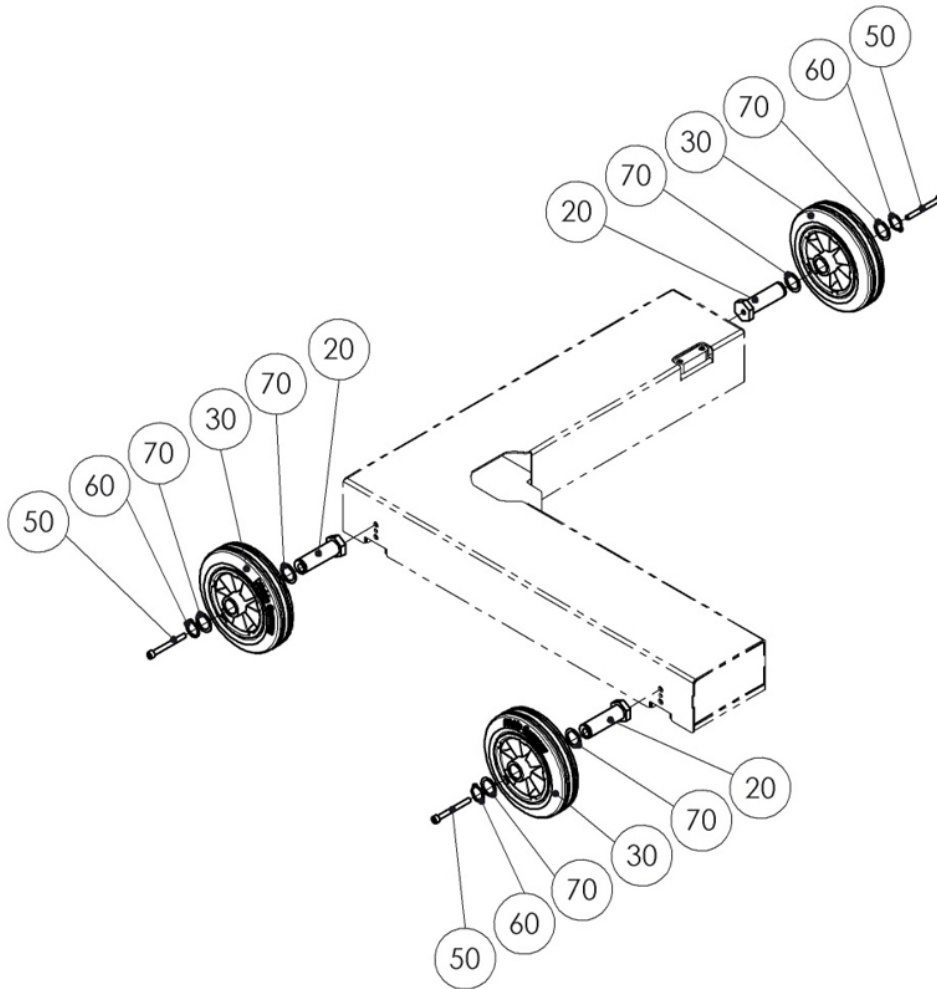
No.	Spare Part	Description	Article Number
20	Eccentric		020380 00139 0
30	Guide Wheel		02 38 00060
40	Running Wheel		02 38 00065
50	Allen Screw	M6x60	22 0912 06060 1
60	Snap Ring	20x1.2	22 0471 020 2
70	Shim Ring	20x28x0.5	22 0988 202805 2
150	Friction Bearing		24 1721 1

1.3.2 Carriage (Gauge 560mm / Hexagon)



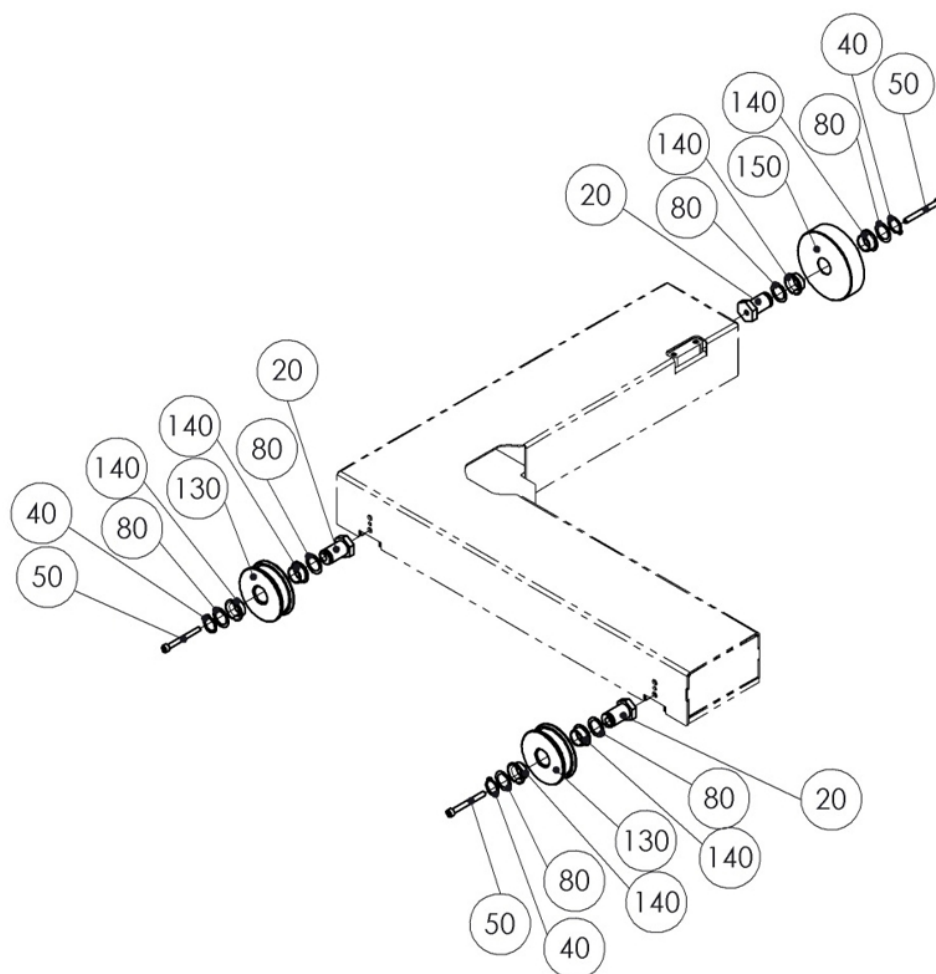
No.	Spare Part	Description	Article Number
20	Eccentric		020380 00139 0
30	Guide Wheel		020380 00157 0
40	Running Wheel		020380 00156 0
50	Allen Screw	M6x60	22 0912 06060 1
60	Snap Ring	20x1,2	22 0471 020 2
70	Shim Ring	20x28x0,5	22 0988 202805 2
150	Friction Bearing		24 1721 1

1.3.3 Carriage (Rubber Wheels)



No.	Spare Part	Description	Article Number
20	Eccentric		020380 00115 0
30	Roller		23000436
50	Allen Screw	M6x60	22 0912 06060 1
60	Snap Ring	20x1.2	22 0471 020 2
70	Shim Ring	20x28x0.5	22 0988 202805 2

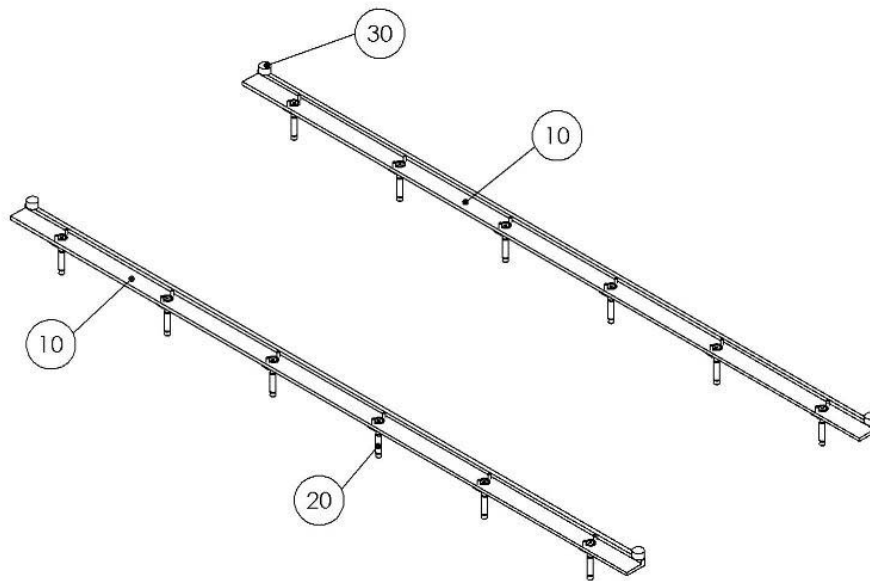
1.3.4 Carriage (Half-Round)



No.	Spare Part	Description	Article Number
20	Eccentric		020380 00139 0
40	Snap Ring	20x1.2	22 0471 020 2
50	Allen Screw	M6x60	22 0912 06060 1
80	Shim Ring	20x28x0.5	22 0988 202805 2
130	Roller		020380 00002 0
140	Friction Bearing		24 1721 1
150	Running Wheel		020380 00156 0

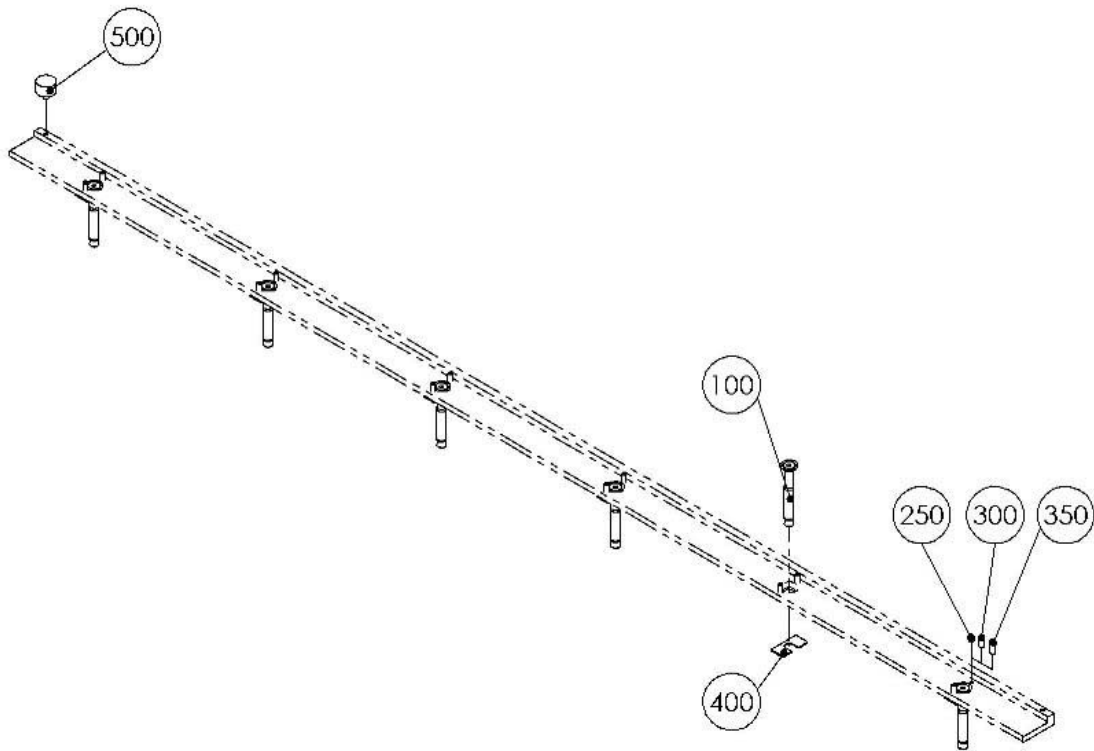
2 Guide Rails

2.1 Guide Rails 1.75m, Surface Mounted (VZ 930045)



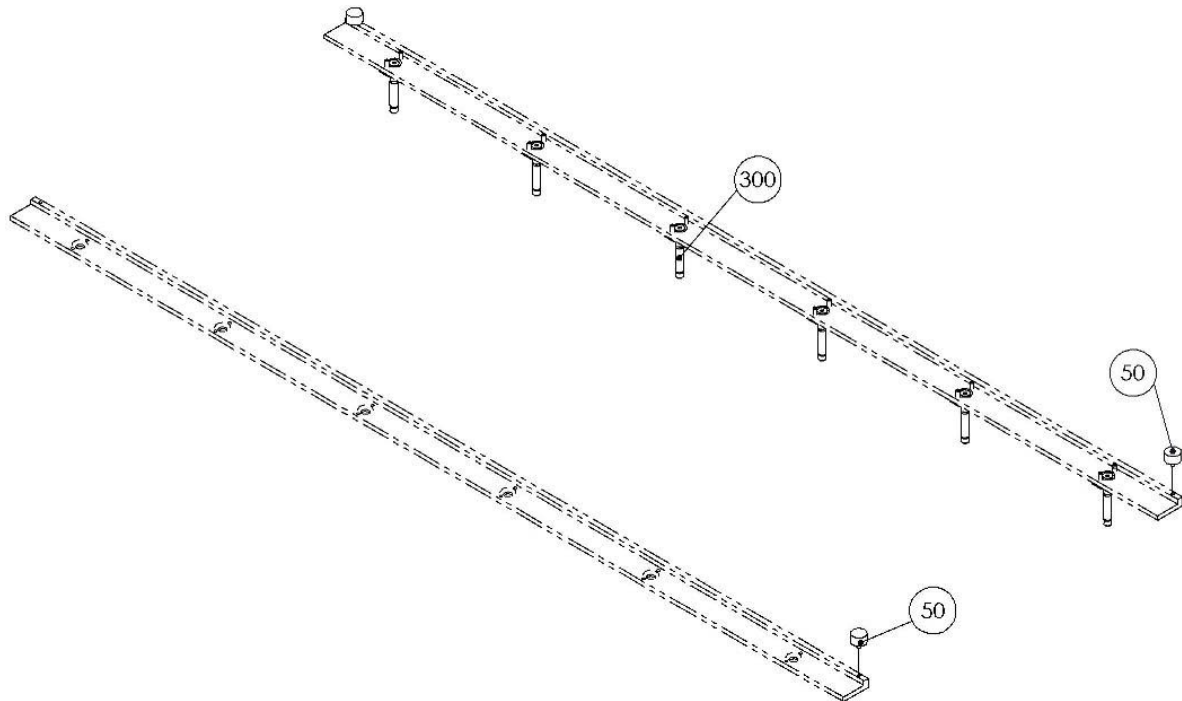
No.	Spare Part	Description	Tooltip	Article Number
10	Guide Rail			02 08 93000
20	Small Parts	for Guide Rail	See Section "Small Parts"	03 08 92123
30	Small Parts	Add-on	See Section "Small Parts"	03 08 92111

2.1.1 Small Parts (for One Guide Rail)



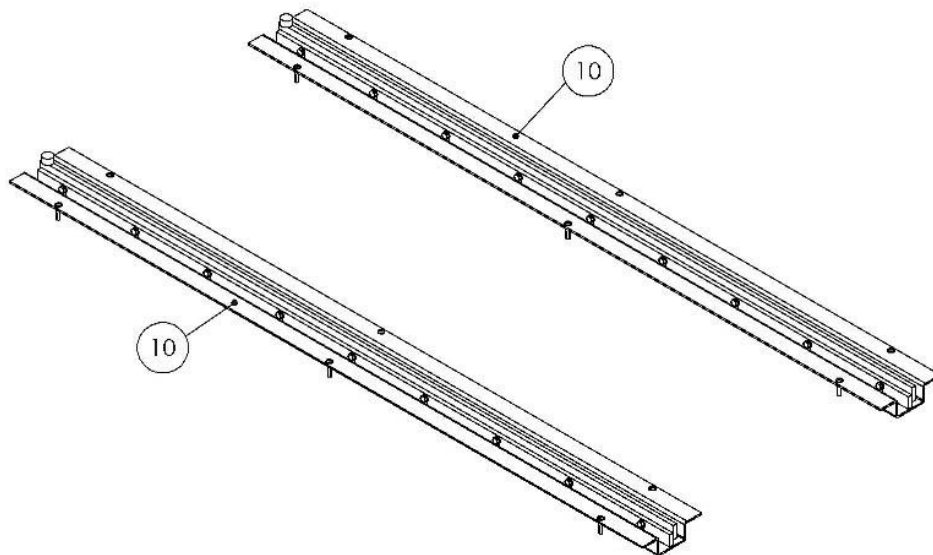
No.	Spare Part	Description	Article Number
100	Heavy Duty Anchor	12/10	23 5056
250	Threaded Pin	M6x8	22 0913 06008 3
300	Threaded Pin	M6x16	22 0913 06016 3
350	Threaded Pin	M6x20	22 0913 06020 3
400	Shim		02 08 93030
500	Rubber Buffer	Ø25x15/M16x10	17 1030

2.1.2 Small Parts (Add-on)



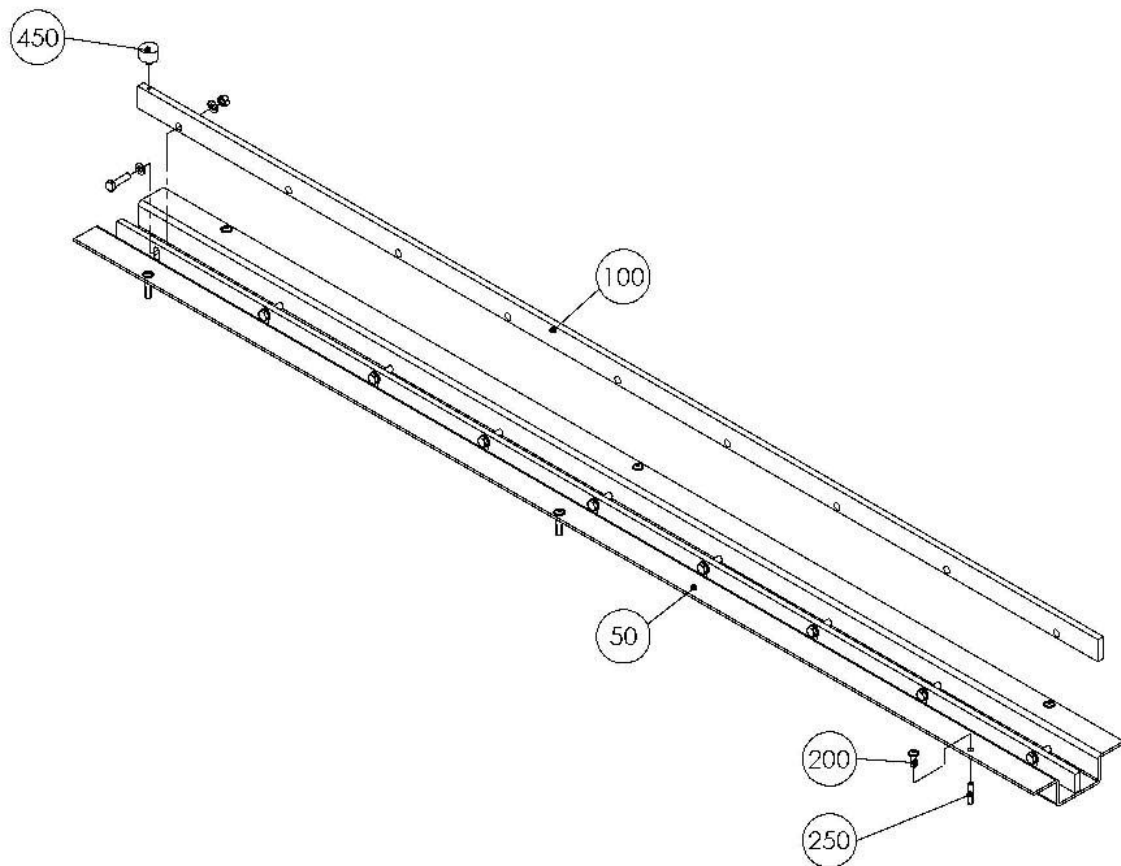
No.	Spare Part	Description	Article Number
50	Rubber Buffer	Ø25x15/M16x10	17 1030
300	Small Parts	for one guide rail	03 08 92123

2.2 Guide Rails, 1.75m, In-Ground (VZ 930055)



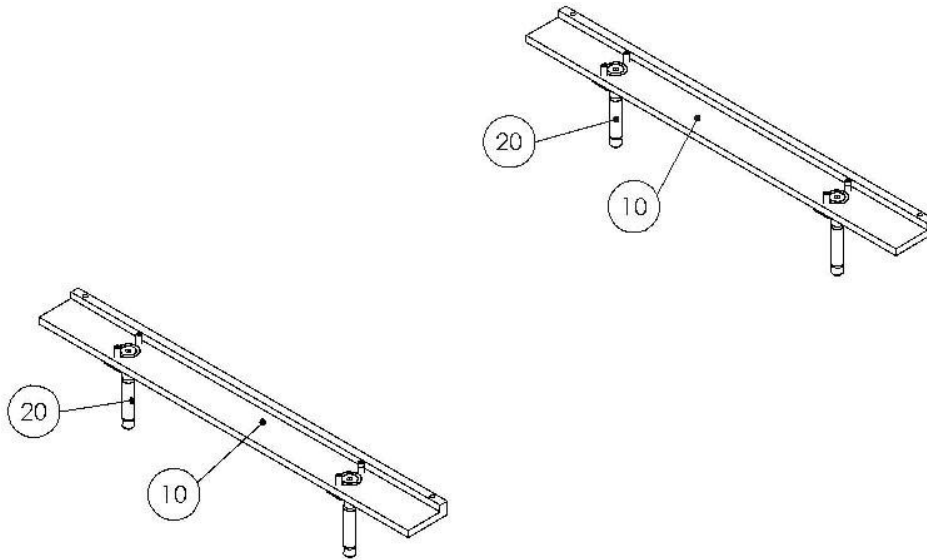
No.	Spare Part	Description	Tooltip	Article Number
10	Guide Rail	1,75m, In-Ground	See Section "Guide Rail"	03 08 92120

2.2.1 Guide Rail 1.75m, In-Ground



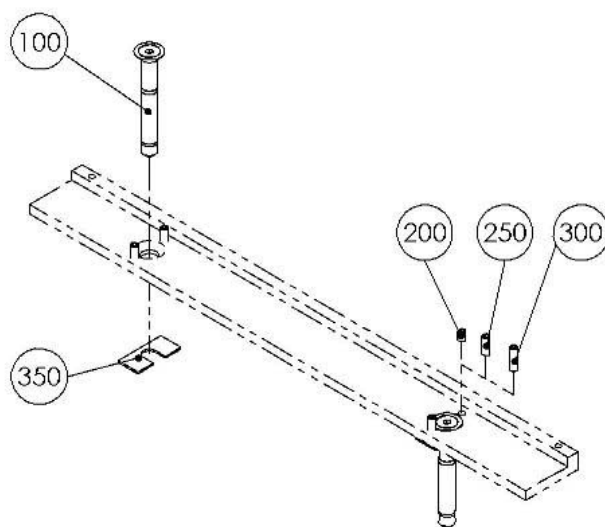
No.	Spare Part	Description	Article Number
50	Guide Rail		03 08 92116
100	Guide		02 08 92196
200	Binding Head Screw	M6x20	23 3082
250	Anchor Bolt	E6	23 5206
450	Rubber Buffer	Ø25x15/M6x10	17 1030

2.3 Extension, 0.5m, Surface Mounted (VZ 930056)



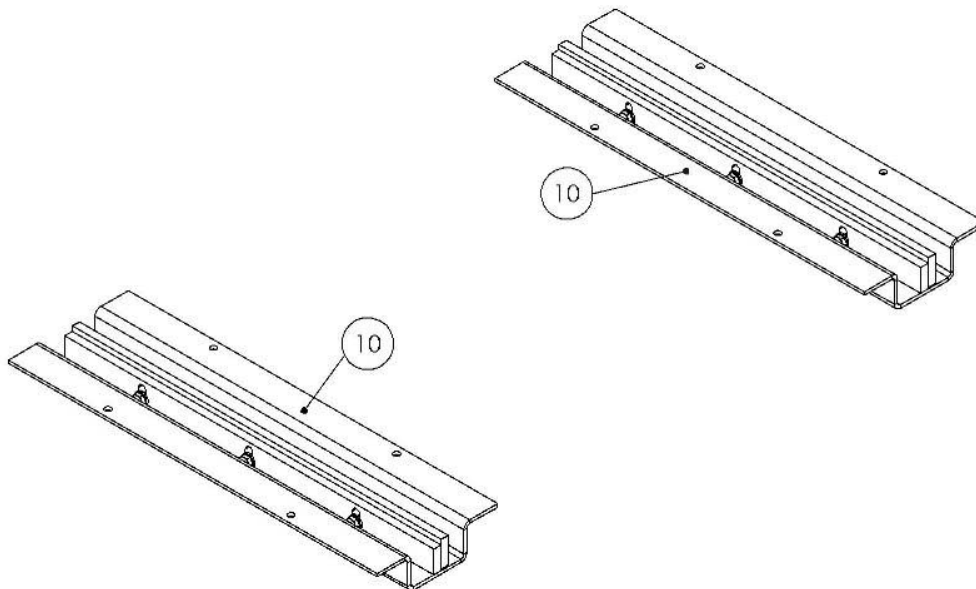
No.	Spare Part	Tooltip	Article Number
10	Guide Rail		02 08 93026
20	Small Parts	See Section "Small Parts"	03 08 92122

2.3.1 Small Parts



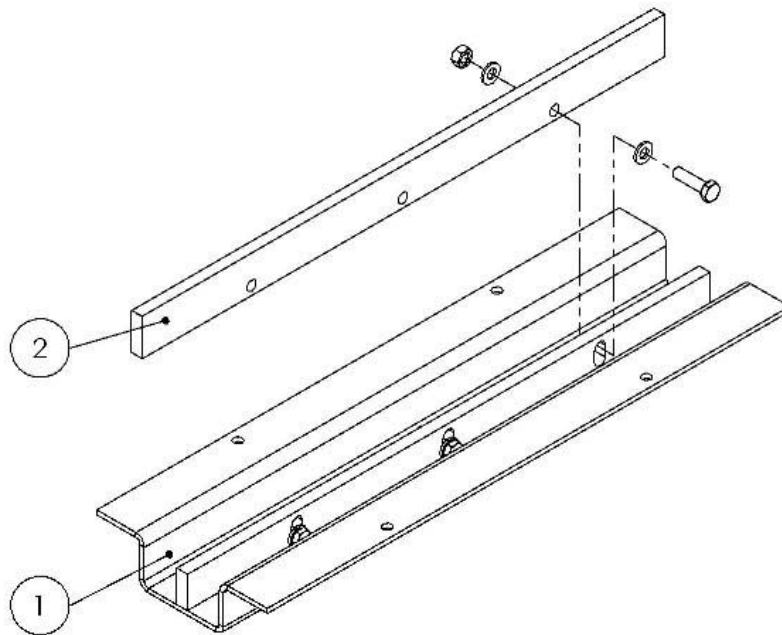
No.	Spare Part	Description	Article Number
100	Heavy Duty Anchor	12/10	23 5056
200	Threaded Pin	M6x8	22 0913 06008 3
250	Threaded Pin	M6x16	22 0913 06016 3
300	Threaded Pin	M6x20	22 0913 06020 3
350	Shim		02 08 93030

2.4 Extension, 0.5m, In-Ground (VZ 930057)



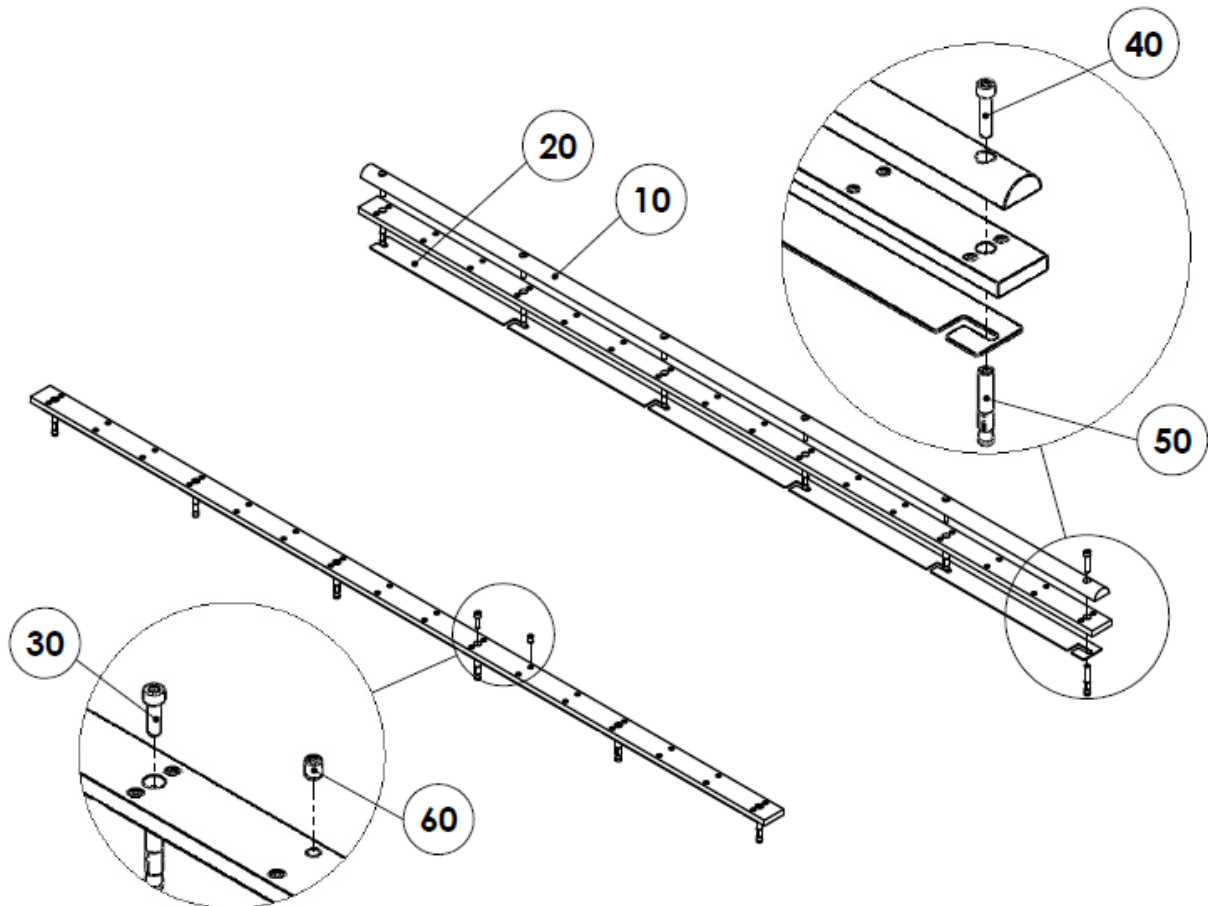
No.	Spare Part	Description	Tooltip	Article Number
10	Extension	0,5m, In-Ground	See Section "Extension"	03 08 92113

2.4.1 Extension, 0.5m, In-Ground



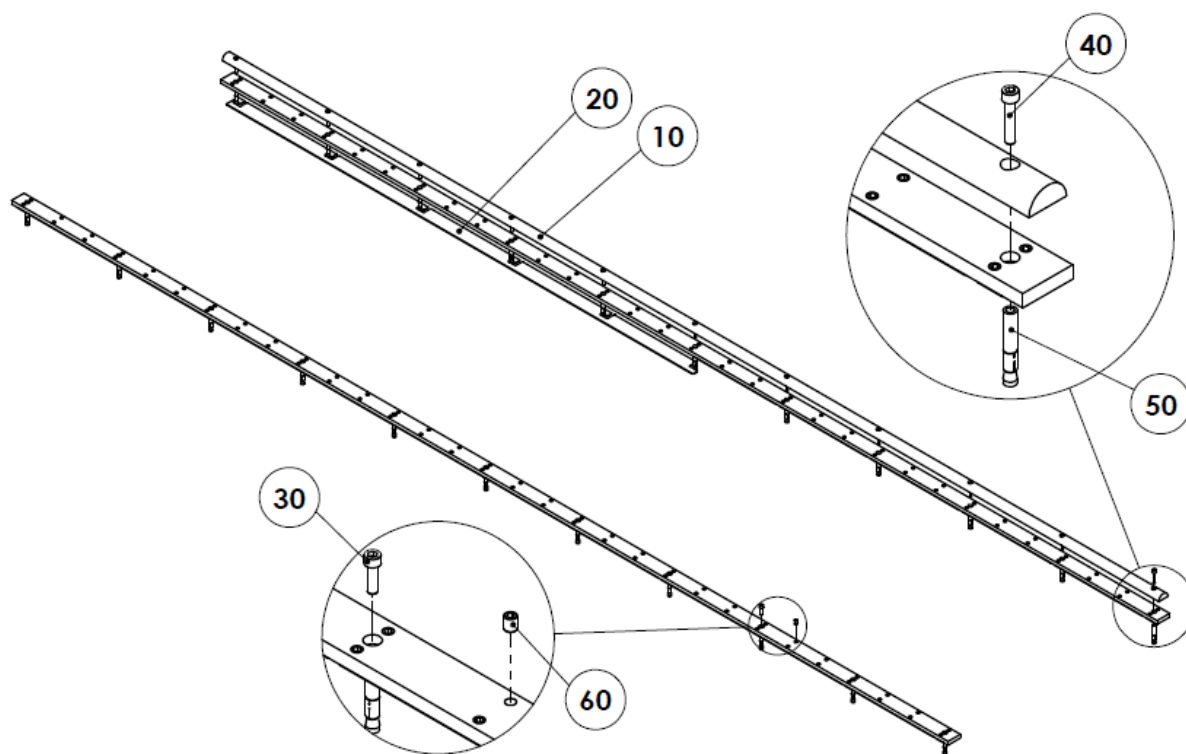
No.	Spare Part	Article Number
1	Guide Rail	03 08 92114
2	Guide	02 08 92197

2.5 Guide Rail Half-Round, VA 1.5m Surface Mounted (VZ 930102)



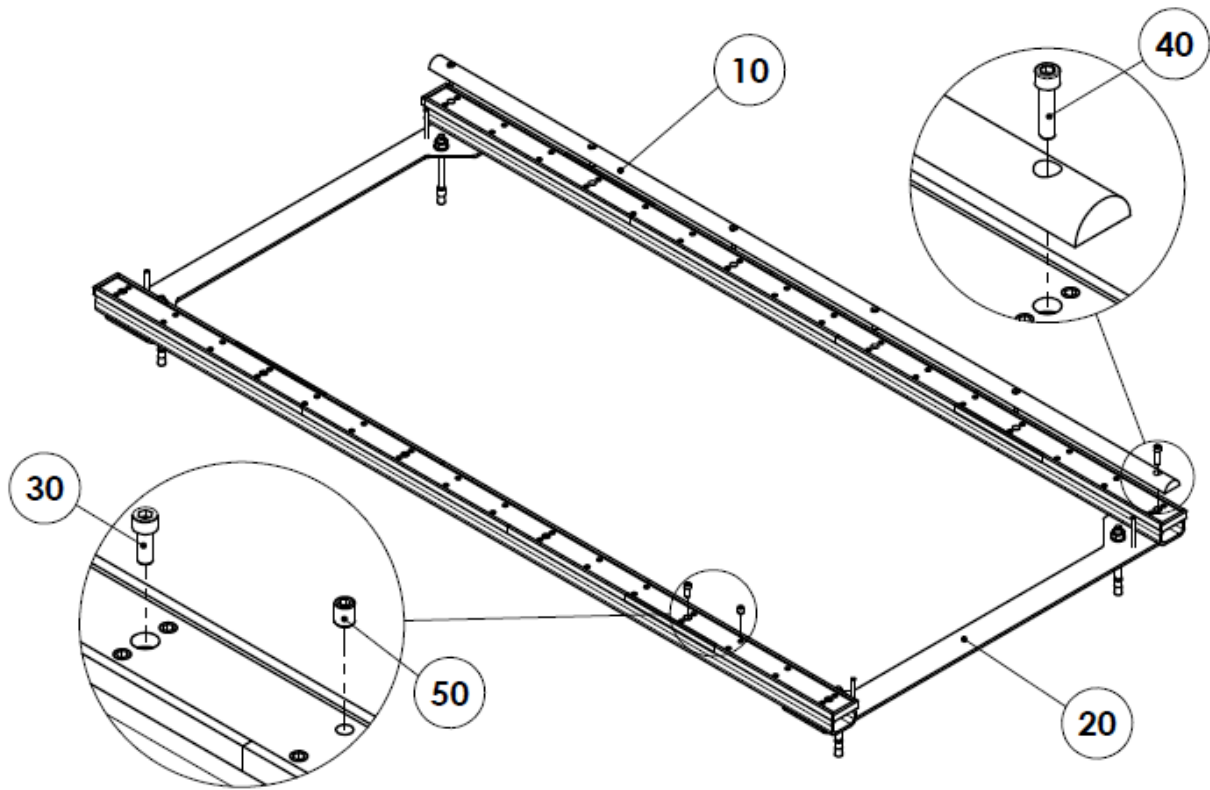
No.	Spare Part	Description	Article Number
10	Guide Rail	1,5m	020380 00459 0
20	Shim		020380 00461 0
30	Allen Screw	M6x20	22 0912 06020 3
40	Allen Screw	M6x30	22 0912 06030 3
50	Bolt Anchor		23000734
60	Threaded Pin	M8x10	23000838

2.6 Guide Rail Half-Round, VA 3m Surface Mounted (VZ 930101)



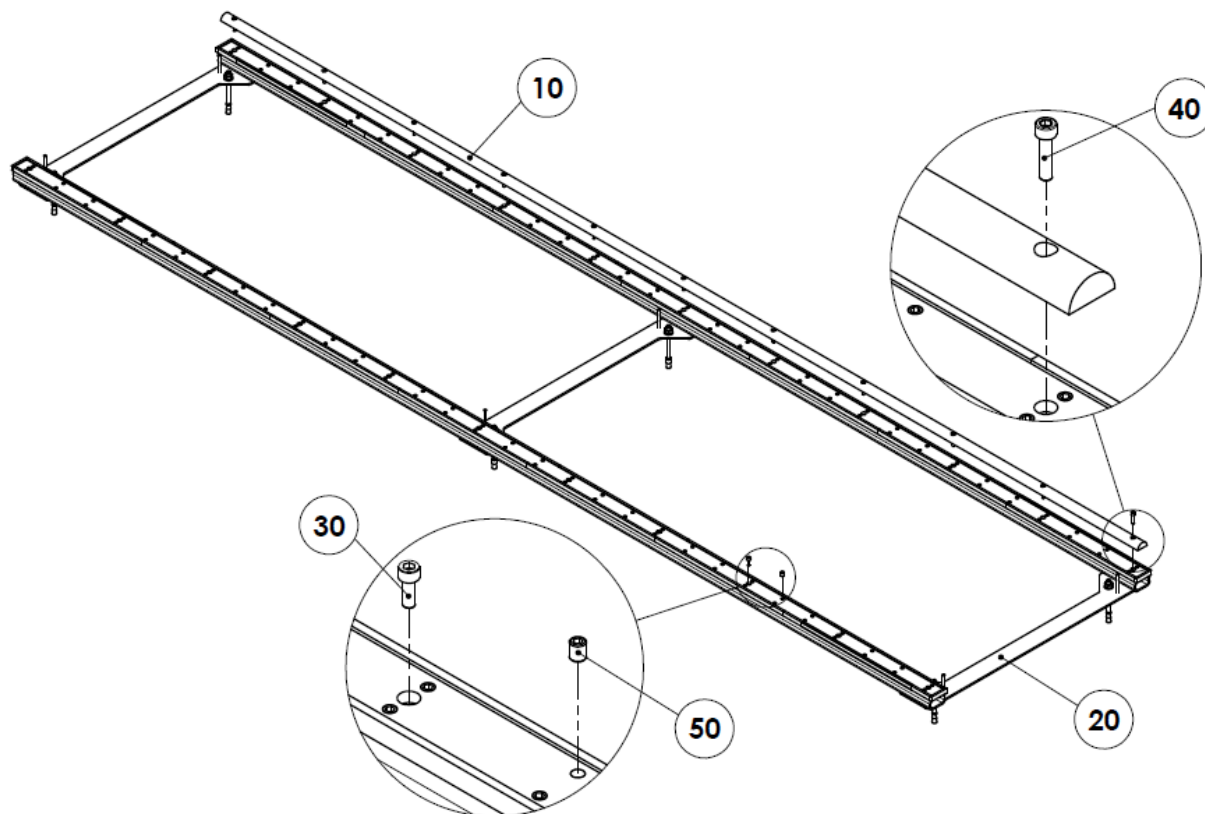
No.	Spare Part	Description	Article Number
10	Guide Rail	3m	020380 00455 0
20	Shim		020380 00460 0
30	Allen Screw	M6x20	22 0912 06020 3
40	Allen Screw	M6x30	22 0912 06030 3
50	Bolt Anchor		23000734
60	Threaded Pin	M8x10	23000838

2.7 Guide Rail Half-Round, VA 1.5m In-Ground (VZ 930100)




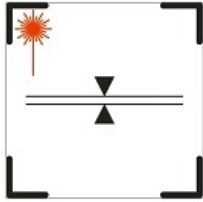
No.	Spare Part	Description	Article Number
10	Guide Rail	1,5m	020380 00459 0
20	Spacer		020380 00199 0
30	Allen Screw	M6x16	22 0912 06016 3
40	Allen Screw	M6x25	22 0912 06025 3
50	Threaded Pin	M8x10	23000838

2.8 Guide Rail Half-Round, VA 3m In-Ground (VZ 930099)















No.	Spare Part	Description	Article Number
10	Guide Rail	3m	020380 00455 0
20	Spacer		020380 00199 0
30	Allen Screw	M6x16	22 0912 06016 3
40	Allen Screw	M6x25	22 0912 06025 3
50	Threaded Pin	M8x10	23000838





3 Labels

No.	Spare Part	Description	Article Number	
10	Label	Laser Light	54 2139	
20	Label	Adjusting Aid	54 2472	


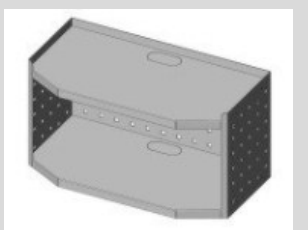
4 Electrical Equipment

No.	Spare Part	Description	Article Number	
10	Patch Cable	0.75m	51 4078	
20	Patch Cable	1m	51 4094	
30	Printed Circuit Board	internal camera	52 0281	
40	Bluetooth Usb Stick		52 0819	
50	Cable	USB A Extension, 2.0m	52 0824	
60	Terminal Strip	3-pin	53 3373	

No.	Spare Part	Description	Article Number	
70	Branch Box	4-pin, Installation Coupling	61 LITE KUDO	
80	Helix Cable	LITE 3.6m	61 LITE SP36	
90	Connecting Cable		61 MLT3000 KA01	
100	Charging Cable	Storage Battery	61 MLT3000 KA02	
110	Power Supply	w. Socket (4-pin)	61 MLT3000 NETZ	
120	Belt		61 MLT3000 RIEM	
130	Converter	Scanbox USB/RS232	91 44 0435	

No.	Spare Part	Description	Article Number	
140	Battery	12V 9.5Ah	52 0293	
150	Cable		52 0831	
160	Cap		52 0832	
170	Display Unit	Touch Screen with Main Board	030380 00087 0	

4.1 MCD Desk

No.	Spare Part	Description	Article Number	
10	Printer Shelf	VZ 955273		
10.1	Printer Shelf	Desk	65 4122	
20	Shelf	VZ 955274		
20.1	Shelf	Desk	65 4123	
30	External PC Storage Compartment	VZ 955277		
30.1	External PC Storage Compartment	Desk	65 4127	