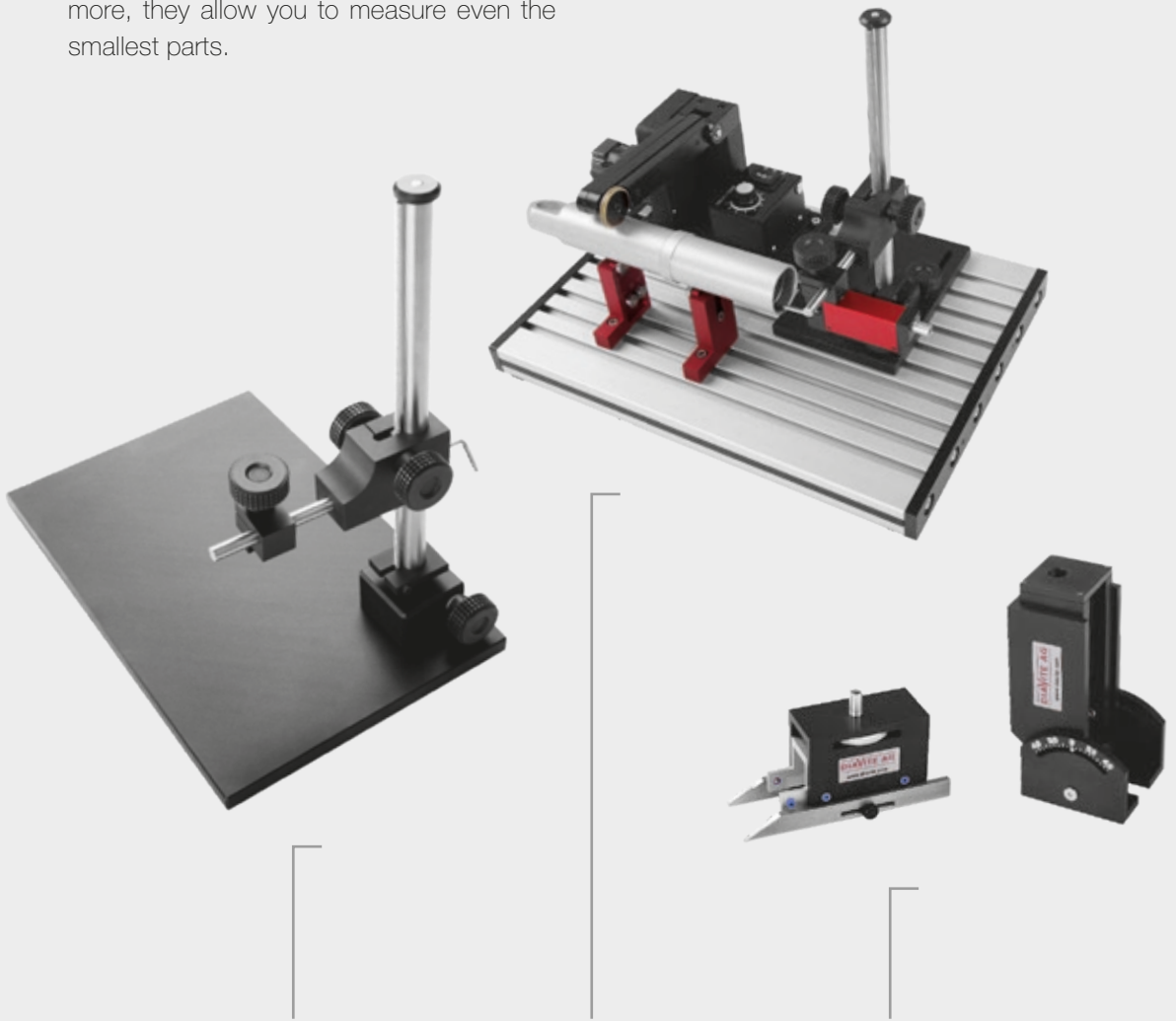


ACCESSORIES

Even more are available

Compatible accessories help manage anyone's daily measurement tasks. Our accessories are the ideal extension for DIAVITE DH-8, COMPACT II and DH-8/App. What's more, they allow you to measure even the smallest parts.



MEASURING STANDS

with a hard stone or aluminium base plate, and a 250 mm or 500 mm column

"TUBEMASTER"

for radial roughness measurements on the inner and outer circumference of cylindrical parts

ADAPTORS

for measuring large workpieces with tracers without skid

DO YOU NEED
SPECIFIC SOLUTIONS?
JUST ASK US!



CROSS TABLE

70 x 70 mm
For precise positioning of parts and for holding vices with an adaptor

VICES

with jaw widths of 15 mm, 25 mm and 35 mm



VARIOUS CALIBRATION SPECIMENS

made of metal or glass

APPARATUS

for measuring crank shafts manually (without tracer and motor unit)

MORE ACCESSORIES?
WWW.DIAVITE.COM