

VACUUM PRIMING OF WATER PUMPS

- Vacuum priming of siphon with a lubricated rotary vane vacuum pump (maxi height : 9 m)
- No water contribution, no cavitation risk, insensitivity to freezing, absence of corrosion
- Low electric consumption
- Available with one, two or three pumps mounted on a frame and protected by a drain trap with obturator
- Rinsing system to eliminate any trace of moisture
- MILLENIUM control board with PLC
- Possible personalisation on request



Characteristics

For more details on EVISA pumps, report to page 6.

TYPE	NOMINAL CAPACITY m ³ .h ⁻¹		POWER kW		RECEIVER CAPACITY L	NOISE LEVEL dB (A)	OIL FILLING L
	50 Hz	60 Hz	50 Hz	60 Hz			
1 pump version							
■ Priming water pump 1 x E25	30	36	0,75	0,90	100 L or 200 L	60	1,5
■ Priming water pump 1 x E40	47	56	1,10	1,30		62	1,5
■ Priming water pump 1 x E65	65	78	1,50	1,80		65	4
■ Priming water pump 1 x E100	96	115	2,20	2,64		67	4
■ Priming water pump 1 x E150	150	180	3,00	3,60		70	7
■ Priming water pump 1 x E200	190	228	4,00	4,80		71	7
■ Priming water pump 1 x E300	288	345	5,50	6,60		73	7

TYPE	NOMINAL CAPACITY m ³ .h ⁻¹		POWER kW		RECEIVER CAPACITY L	NOISE LEVEL dB (A)	OIL FILLING L
	50 Hz	60 Hz	50 Hz	60 Hz			
2 pumps version							
■ Priming water pump 2 x E25	2 x 30	2 x 36	2 x 0,75	2 x 0,90	100 L or 200 L	2 x 60	2 x 1,5
■ Priming water pump 2 x E40	2 x 47	2 x 56	2 x 1,10	2 x 1,30		2 x 62	2 x 1,5
■ Priming water pump 2 x E65	2 x 65	2 x 78	2 x 1,50	2 x 1,80		2 x 65	2 x 4
■ Priming water pump 2 x E100	2 x 96	2 x 115	2 x 2,20	2 x 2,64		2 x 67	2 x 4
■ Priming water pump 2 x E150	2 x 150	2 x 180	2 x 3,00	2 x 3,60		2 x 70	2 x 7
■ Priming water pump 2 x E200	2 x 190	2 x 228	2 x 4,00	2 x 4,80		2 x 71	2 x 7
■ Priming water pump 2 x E300	2 x 288	2 x 345	2 x 5,50	2 x 6,60		2 x 73	2 x 7

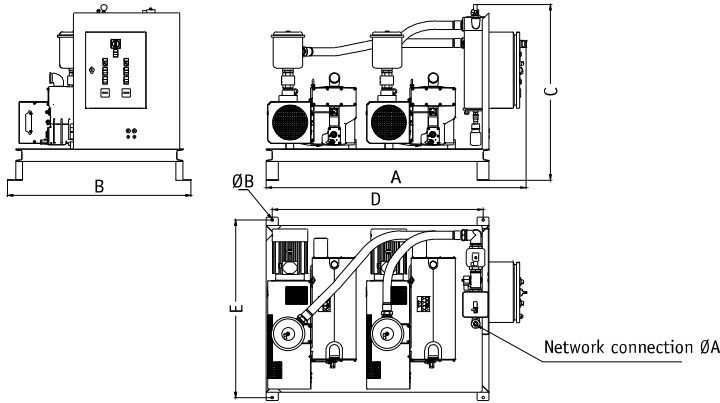
Plant references

		■ E25	■ E40	■ E65	■ E100	■ E150	■ E200	■ E300
1 pump version	3-ph 400V+N+E	918327	918328	918329	918330	918331	918332	918333
2 pumps version	3-ph 400V+N+E	918888	918889	918890	918891	918892	918893	918894
HDPE 100 litres tank with conductive sensors		720622						
Galvanized 200 litres tank with float sensors		718334						

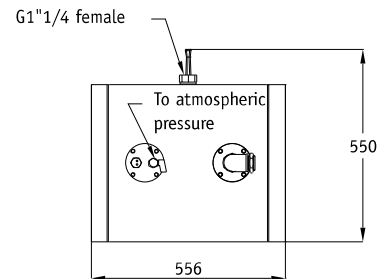
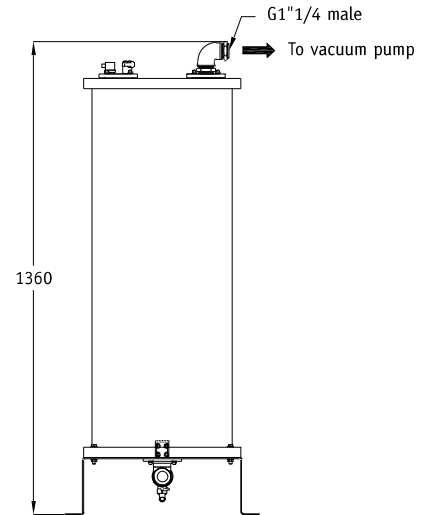
Vacuum priming of water pumps

Dimensions

PRIMING WATER PUMPS



HDPE VACUUM TANK OF 100 LITRES



1 PUMP VERSION		A	B	C	D	E	ØA	ØB
E25	3-ph 400V	565	680	985	340	600	G1" 1/4	16
E40	3-ph 400V	565	680	985	340	600	G1" 1/4	16
E65	3-ph 400V	750	800	1000	525	750	G1" 1/4	16
E100	3-ph 400V	750	800	1000	525	750	G1" 1/4	16
E150	3-ph 400V	1015	1210	1160	740	1180	G1" 1/4	16
E200	3-ph 400V	1015	1210	1160	740	1180	G1" 1/4	16
E300	3-ph 400V	1015	1210	1160	740	1180	G1" 1/4	16

Dimensions expressed in mm

2 PUMPS VERSION		A	B	C	D	E	ØA	ØB
E25	3-ph 400V	945	680	985	670	600	G1" 1/4	16
E40	3-ph 400V	945	680	985	670	600	G1" 1/4	16
E65	3-ph 400V	1235	800	1000	960	750	G1" 1/4	16
E100	3-ph 400V	1235	800	1000	960	750	G1" 1/4	16
E150	3-ph 400V	1715	1210	1160	1390	1180	G1" 1/4	16
E200	3-ph 400V	1715	1210	1160	1390	1180	G1" 1/4	16
E300	3-ph 400V	1715	1210	1160	1390	1180	G1" 1/4	16

Dimensions expressed in mm

200 LITRES TANK GALVANIZED VERSION

