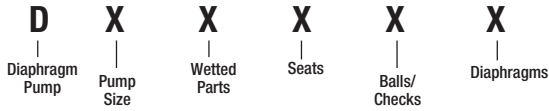


Husky 515 Plastic Pumps

Air-Operated Double Diaphragm

Ordering Information



PUMP SIZE (AIR MOTOR TYPE AND MATERIAL)	WETTED PARTS	SEATS	BALLS	DIAPHRAGM
5 = 1/2" center (12.7 mm) or 3/4" ends (19.05) Standard: polypropylene center section	1 = Acetal (npt)	2 = Acetal	1 = PTFE	1 = PTFE
4 = 1/2" center (12.7 mm) or 3/4" ends (19.05) Remote: polypropylene center section	2 = Poly (npt)	3 = Stainless Steel	3 = Stainless Steel	5 = TPE
	5 = PVDF (npt)	9 = Polypropylene	5 = TPE	6 = Santoprene
	A = Acetal * (bsp)	A = PVDF	6 = Santoprene	7 = Buna N
	B = Poly * (bsp)	D = Urethane Duckbill	7 = Buna N	8 = Fluoroelastomer
	E = PVDF (bsp)		8 = Fluoroelastomer	
			0 = Duckbill	

* = BSP plastic in 1/2" (12.7 mm) pumps

Popular Models

Material	Part Number (NPT Ported)		Part Number (BSP Ported)		Materials for Seats	Materials for Balls	Materials for Diaphragms	Fluid Kit	Air Kit	Air Control**
	Standard Air Valve	Remote* Air Valve	Standard Air Valve	Remote* Air Valve						
Acetal	D51211	D41211	D5A211	D4A211	Acetal	PTFE	PTFE	D05211	241657	246946
	D51255	D41255	D5A255	D4A255	Acetal	TPE	TPE	D05255	241657	246946
	D51277	D41277	D5A277	D4A277	Acetal	Buna-N	Buna-N	D05277	241657	246946
	D51311	D41311	D5A311	D4A311	Stainless Steel	PTFE	PTFE	D05311	241657	246946
	D51331	D41331	D5A331	D4A331	Stainless Steel	Stainless Steel	PTFE	D05331	241657	246946
	D51D05	D41D05	D5AD05	D4AD05	Duckbill		TPE	D05D05	241657	246946
	D51D06	D41D06	D5AD06	D4AD06	Duckbill		Santoprene	D05D06	241657	246946
	D51D07	D41D07	D5AD07	D4AD07	Duckbill		Buna-N	D05D07	241657	246946
Polypropylene	D52211	D42211	D5B211	D4B211	Acetal	PTFE	PTFE	D05211	241657	246946
	D52277	D42277	D5B277	D4B277	Acetal	Buna-N	Buna-N	D05277	241657	246946
	D52311	D42311	D5B311	D4B311	Stainless Steel	PTFE	PTFE	D05311	241657	246946
	D52331	D42331	D5B331	D4B331	Stainless Steel	Stainless Steel	PTFE	D05331	241657	246946
	D52336	D42336	D5B336	D4B336	Stainless Steel	Stainless Steel	Santoprene	D05336	241657	246946
	D52911	D42911	D5B911	D4B911	Polypropylene	PTFE	PTFE	D05911	241657	246946
	D52955	D42955	D5B955	D4B955	Polypropylene	TPE	TPE	D05955	241657	246946
	D52966	D42966	D5B966	D4B966	Polypropylene	Santoprene	Santoprene	D05966	241657	246946
	D52977	D42977	D5B977	D4B977	Polypropylene	Buna-N	Buna-N	D05977	241657	246946
	D52988	D42988	D5B988	D4B988	Polypropylene	Fluoroelastomer	Fluoroelastomer	D05988	241657	246946
PVDF	D52D05	D42D05	D5BD05	D4BD05	Duckbill		TPE	D05D05	241657	246946
	D52D06	D42D06	D5BD06	D4BD06	Duckbill		Santoprene	D05D06	241657	246946
	D52D07	D42D07	D5BD07	D4BD07	Duckbill		Buna-N	D05D07	241657	246946
	D55A11	D45A11	D5EA11	D4EA11	PVDF	PTFE	PTFE	D05A11	241657	246946
	D55A88	D45A88	D5EA88	D4EA88	PVDF	Fluoroelastomer	Fluoroelastomer	D05A88	241657	246946

*Required Cycleflo or external valve control

** Air control includes air regulator and filter with gauge (see drawing on page 16)

Husky 515 Plastic Pumps

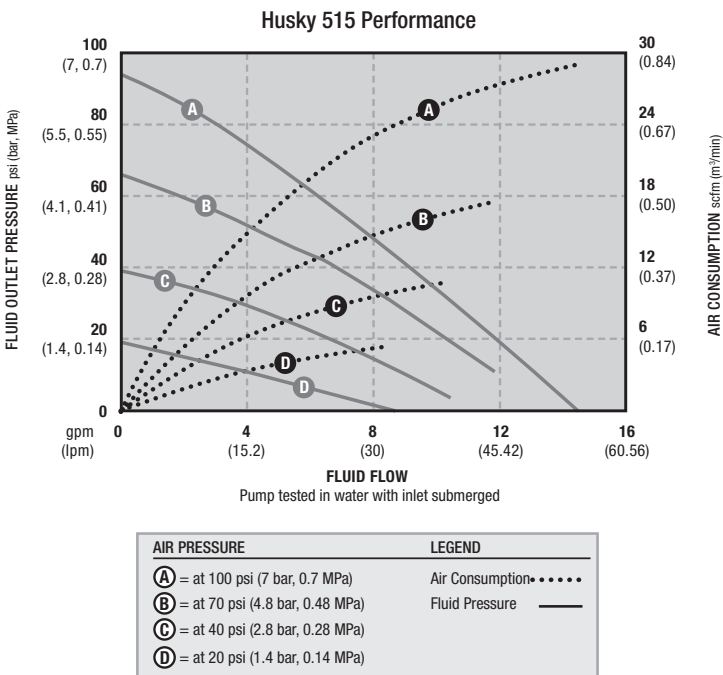


Technical Specifications

Husky 515 Plastic Pumps	Acetal	Polypropylene	PVDF
Maximum fluid working pressure	100 psi (7 bar, 0.7 MPa)	100 psi (7 bar, 0.7 MPa)	100 psi (7 bar, 0.7 MPa)
Maximum free flow delivery*	15 gpm (57 lpm)	15 gpm (57 lpm)	15 gpm (57 lpm)
Maximum pump speed	400 cpm	400 cpm	400 cpm
Displacement per cycle**	0.04 gallon (0.15 liter)	0.04 gallon (0.15 liter)	0.04 gallon (0.15 liter)
Maximum suction lift ***	15 ft (4.5 m) dry	15 ft (4.5 m) dry	15 ft (4.5 m) dry
Maximum size pumpable solids	0.09 in (2.5 mm)	0.09 in (2.5 mm)	0.09 in (2.5 mm)
Maximum ambient operating temperature†	180°F (82°C)	150°F (66°C)	180°F (82°C)
Maximum diaphragm operating temperature†	Refer to page 7	Refer to page 7	Refer to page 7
Typical sound level at 70 psi (4.9 bar, 0.49 MPa) air @ 125 cpm	74 dBA	74 dBA	74 dBA
Maximum air consumption	28 scfm (0.672 m3/min)	28 scfm (0.672 m3/min)	28 scfm (0.672 m3/min)
Air pressure operating range	30 to 100 psi (2.1 to 7 bar, 0.21 to 0.7 MPa)	30 to 100 psi (2.1 to 7 bar, 0.21 to 0.7 MPa)	30 to 100 psi (2.1 to 7 bar, 0.21 to 0.7 MPa)
Air inlet size	1/4 npt(f)	1/4 npt(f)	1/4 npt(f)
Air exhaust port size	3/8 npt(f)	3/8 npt(f)	3/8 npt(f)
Fluid inlet & outlet size****	1/2 npt(f) or bspt(f)	1/2 npt(f) or bspt(f)	1/2 npt(f) or bspt(f)
Weight	7.8 lb (3.5 kg)	6.5 lb (2.9 kg)	8.5 lb (3.9 kg)
Wetted parts (in addition to ball, seat and diaphragm materials—which may vary by pump)	Groundable Acetal, PTFE, SST	Polypropylene, PTFE, SST	PVDF, PTFE
Instruction manual	308981	308981	308981

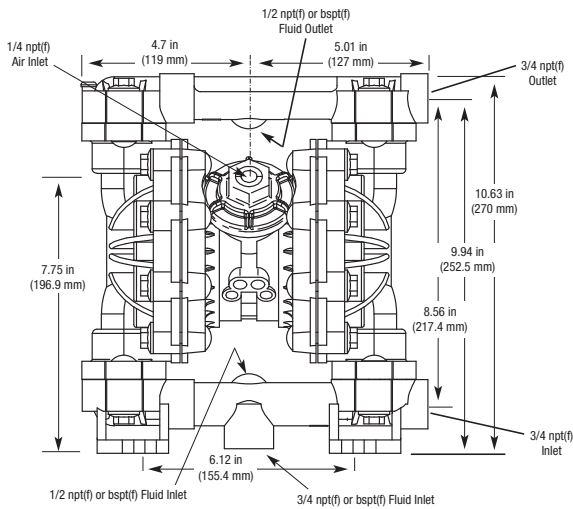
* Flow rates are with muffler and do not vary based on diaphragm material.
 ** Displacement per cycle may vary based on suction condition, discharge head, air pressure and fluid type
 *** Duckbill suction lift 11 ft (3.3 m)
 **** Hybrid thread allows for either 1/4 npt or 1/4 bspt fitting
 † Actual pump performance may be affected by prolonged usage at temperature.

Performance Charts



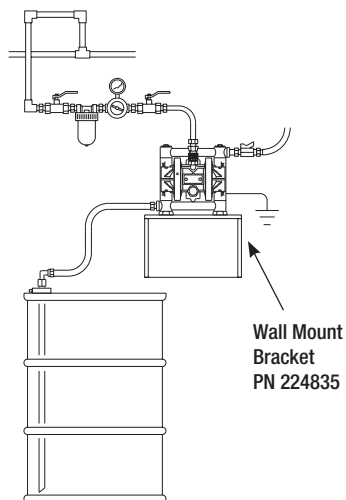
Husky 515 Plastic Pumps

Dimensions



Typical System Drawings

Husky 515 Wall-Mount with Drum Feed



Husky 515 Drum-Mount with Siphon Feed

