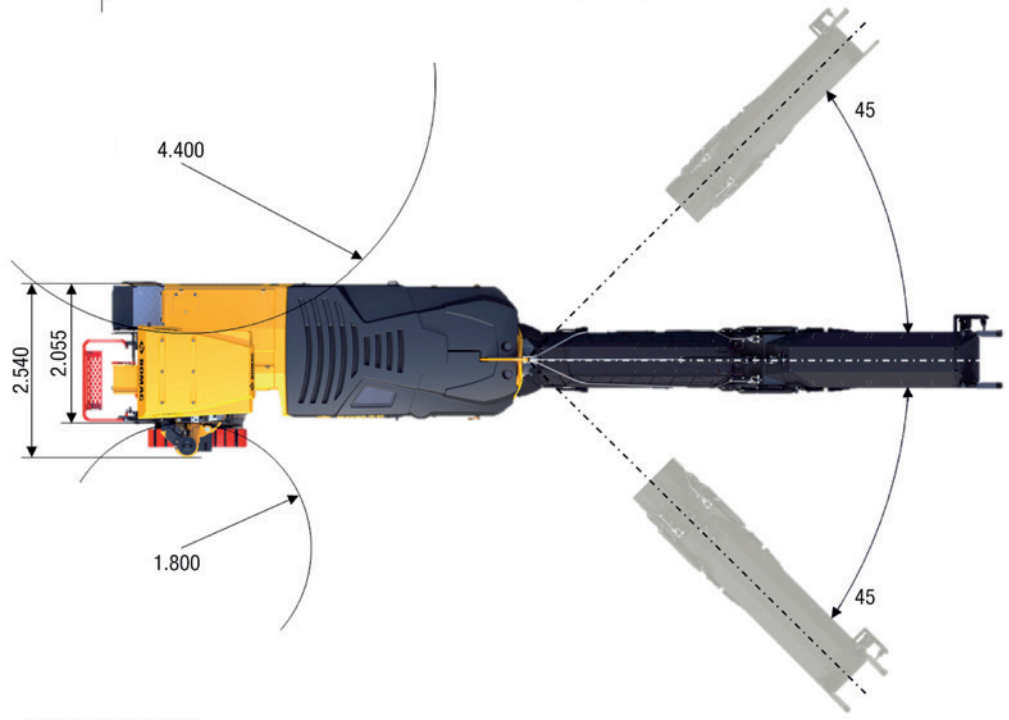
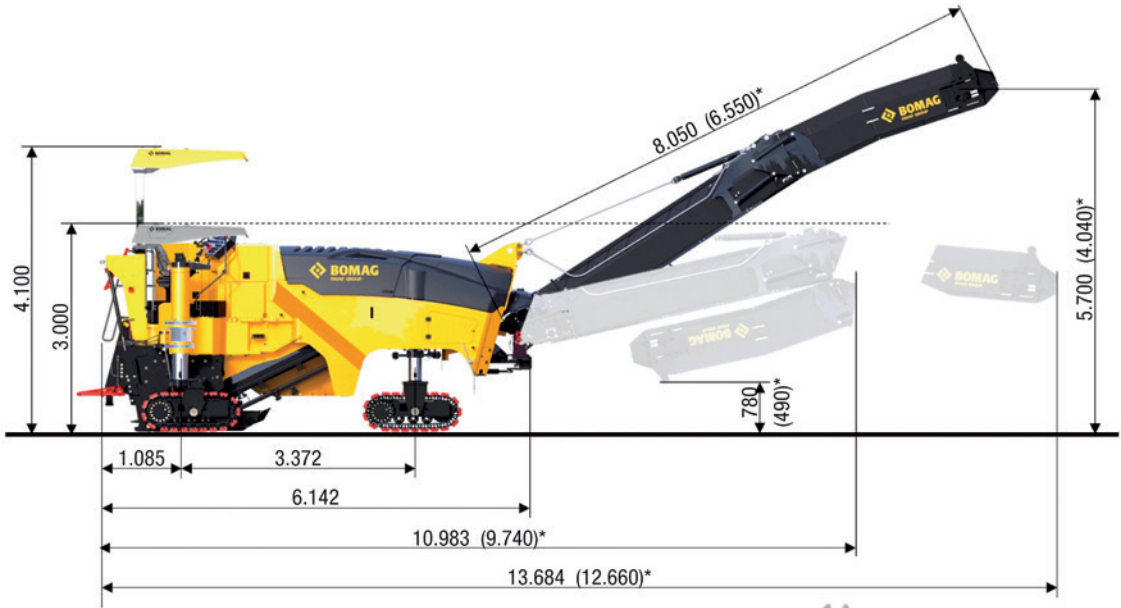


# TECHNICAL DATA

COLD PLANER (TIER 4)  
BM 1000/35, BM 1200/35, BM 1300/35  
WITH CHANGED SWIVELLING MECHANISM





**BM 1200 & BM 1300**



\* FO22

## Technical Data

### Milling Drum

Milling width max. ....	mm	1.000	1.200	1.300
Milling depth .....	mm	0 – 330	0 – 330	0 – 330
Milling line space .....	mm	15	15	15
Cutting diameter .....	mm	980	980	980
No. of Tools .....		99	115	121
Milling Drum Speed .....	min <sup>-1</sup> min <sup>-1</sup>	variable, 85, 95, 107	variable, 85, 95, 107	variable, 85, 95, 107

### Drive

Engine Manufacturer .....		MTU (Mercedes)	MTU (Mercedes)	MTU (Mercedes)
Type .....		Serie 1000 6R	Serie 1000 6R	Serie 1000 6R
Emission standards .....		4/4 final	4/4 final	4/4 final
Cooling .....		Liquid cooled	Liquid cooled	Liquid cooled
No. of cylinders / Displacement .....	cm <sup>3</sup>	6 / 7.700	6 / 7.700	6 / 7.700
Power .....	kW / PS	260 / 350	260 / 350	260 / 350
Engine Speed .....	U/min	2.200	2.200	2.200
Peak Torque .....	Nm	1.400	1.400	1.400
Consumption at rated Power .....	g/kWh	210	210	210
Consumption at Job-mix .....	l/h	26	26	26
Generator .....	V / A	28 / 150	28 / 150	28 / 150
Battery .....	V / Ah	2 x 12 / 155	2 x 12 / 155	2 x 12 / 155

### Driving Characteristics

Transport-speed .....	km/h	0 – 7,5	0 – 7,5	0 – 7,5
Operating-speed .....	m/min	0 – 50	0 – 50	0 – 50
Crawler size L x W x H .....	mm	1.425 x 268 x 570	1.425 x 268 x 570	1.425 x 268 x 570

### Capacities

Fuel .....	l	600	600	600
Water .....	l	1.450	1.450	1.450
Hydraulic .....	l	150	150	150

### Loading-system

Conveyer width, inside / outside .....	mm	650 / 600	650 / 600	650 / 600
Theoretical capacity .....	m <sup>3</sup> /h	180	180	180
Discharge height .....	mm	5.700	5.700	5.700

### Weights

Max. Operating weight (incl. Options) .....	t	25,5	26,5	26,7
Operating weight CE .....	t	22,6	23,6	23,8
Basic weight .....	t	21,5	22,5	22,7

### Additional weights for Options

Weather protection roof .....	kg	180	180	180
Dust reduction .....	kg	140	140	140
Splitted Scraper .....	kg	200	200	200
Quick Drum exchange system .....	kg	100	100	100
Fine-milling-drum LA8 .....	kg	300	300	300
Ballast 1, frame .....	kg	500	500	500
Ballast 2, milling compartment .....	kg	400	400	400

Technical modifications reserved. Machines may be shown with options.

## Standard

### Milling technology

- Milling Drum LA15
- BOMAG BMS 15 exchangeable toolholder
- 3 Milling-Drum-speeds
- Proportional adjustable water injection
- Automatic water saving device
- Water filling pump
- Wear-free, digital Milling depth display
- Proportional Milling depth adjustment
- Two proportional speeds for Milling-depth-adjustment
- Hydraulically operated side-plates
- Hydraulically operated front mouldboard
- Rear mouldboard with adjustable pre-load-pressure
- Right side-plate for fast Drum-exchange
- Automatic load-control
- Automatic distribution of traction
- Hydraulically foldable Conveyor

### Drive Systems

- 4-Crawlers
- Changed swivelling mechanism: Rear right track chain can be swivelled in front of the milling drum fully automatically by means of a gear
- Rear right crawler steerable
- Variable transport speed
- Variable operating speed
- Mechanical Drum-drive

### Operation comfort

- Fully vibration-isolated operator-platform
- Comfort-workstation for sitting operation
- Ergonomic adjustable operator seat, 45° to slew
- Ergonomic adjustable steering wheel / column
- Height- adjustable arm-rest with integrated ergonomic operation panel
- Self-explanatory, well-arranged dashboard
- Large storage at ground level
- Service- and maintenance-points ergonomic concentrated

## Safety & environmental protection

- Whisper-package for noise elimination
- Liquid cooled engine following latest emission rules
- Variable placeable working-lights
- Rotary-beacon
- Mirror
- CE-conform safety-package with emergency-stop-switches
- Back-up-alarm
- Vandalism protection

## Optional

### Basic machine

- Weather protection roof
- High pressure cleaner
- Dust reduction system
- Auxiliary Drum Drive for easy tool exchange
- Road lights
- Additional working-light, plug in
- Additional working-light, magnet base
- Ballast weights
- Seat heating
- Special colour
- Biodegradable hydraulic oil
- Hydraulically foldable conveyor, short
- Quick-exchange drum-system

### Milling technology

- Milling-Drum 600 LA15
- Milling-Drum 900 LA15
- Milling-Drum 1000 LA15
- Milling-Drum 1200 LA15
- Milling-Drum 1300 LA15
- Fine-Milling-Drum 1000 LA8
- Fine-Milling-Drum 1200 LA8
- Fine-Milling-Drum 1300 LA8
- POWER DRUM 1000 LA22
- POWER DRUM 1200 LA22
- POWER DRUM 1300 LA22
- Splitted Scraper
- Additional Milling Drum Bearing

### Levelling Systems and electronic support

- Levelling, 2 sides + slope
- Camera
- BOMAG TELEMATIC

