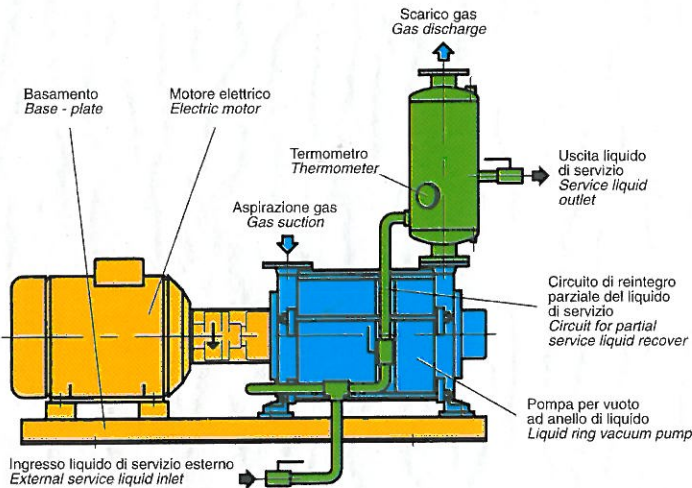
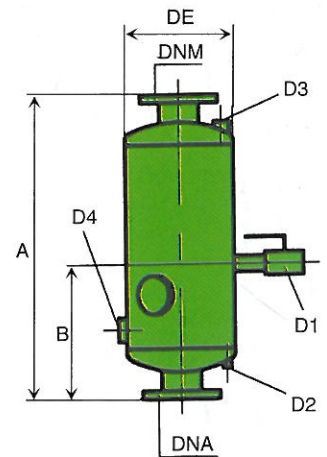


DIMENSIONI E SCHEMI D'INSTALLAZIONE DEI SERBATOI SERIE HSF - HSP

HSF - HSP



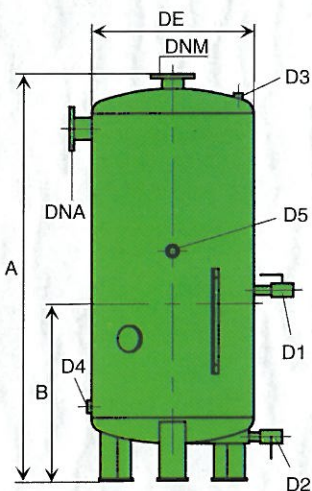
HSF



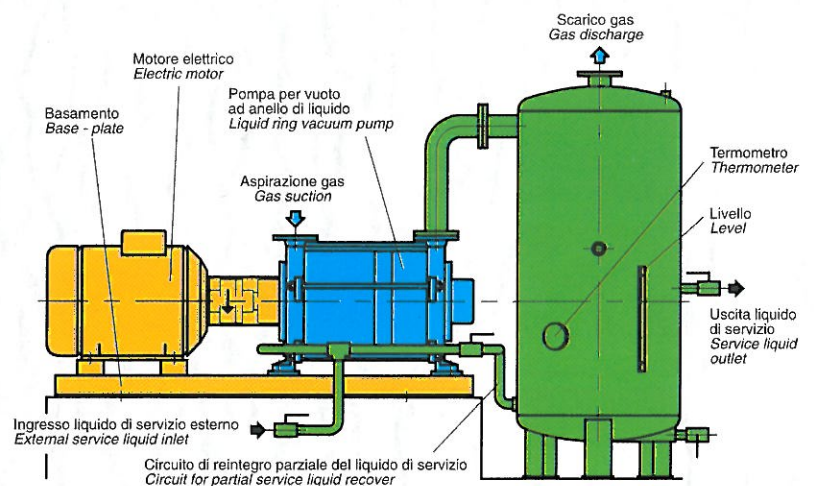
SERIE SERIES	DNA	DNM	D1	D2	D3	D4	A	B	DE	VOLUME TOTALE TOTAL VOLUME
HSF 2	32	40	1" GAS F	1/4" GAS F	-	1/2" GAS F	570	260	168	l. 8 ca.
HSF 3	40	40	1 1/2" GAS F	3/8" GAS F	3/8" GAS F	1/2" GAS F	570	260	219	l. 15 ca.
HSF 4	40-50	50	1 1/2" GAS F	1/2" GAS F	1/2" GAS F	1/2" GAS F	700	340	270	l. 30 ca.
HSF 5	50-65	65	2" GAS F	1/2" GAS F	1/2" GAS F	3/4" GAS F	850	440	320	l. 55 ca.
HSF 6	80-100	100	2" GAS F	1/2" GAS F	1/2" GAS F	1" GAS F	1000	520	402	l. 95 ca.
HSF 7	100-125	125-150	2 1/2" GAS F	1/2" GAS F	3/4" GAS F	1 1/4" GAS F	1100	580	500	l. 155 ca.

NOMENCLATURA COMPONENTS

- D1 Scarico troppo pieno
Overflow
- D2 Scarico
Drain
- D3 Attacco per Manometro
o Valvola di sicurezza
Manometer or Safety valve connection
- D4 Attacco per alimentazione pompa
Pump supply connection
- D5 Attacco per riempimento
Filling connection



HSP



SERIE SERIES	DNA	DNM	D1	D2	D3	D4	D5	A	B	DE	VOLUME TOTALE TOTAL VOLUME
HSP 2	32	32	3/4" GAS F	1/2" GAS F	3/8" GAS F	3/4" GAS F	1/2" GAS F	850	440	219	l. 20 ca.
HSP 3	40	40	1" GAS F	3/4" GAS F	3/8" GAS F	1" GAS F	1/2" GAS F	1060	560	320	l. 60 ca.
HSP 4	40-50	40	1 1/4" GAS F	1" GAS F	1/2" GAS F	1 1/4" GAS F	1/2" GAS F	1200	620	352	l. 85 ca.
HSP 5	50-65	50	1 1/4" GAS F	1" GAS F	1/2" GAS F	1 1/4" GAS F	1/2" GAS F	1405	730	402	l. 135 ca.
HSP 6	80-100	80-100	1 1/2" GAS F	1 1/4" GAS F	3/4" GAS F	1 1/2" GAS F	1/2" GAS F	1620	800	504	l. 250 ca.
HSP 7	100-125	125-150	2" GAS F	1 1/2" GAS F	1" GAS F	1 1/2" GAS F	1/2" GAS F	1930	1070	656	l. 500 ca.

Disegni schematici - Dimensioni in mm. e pesi in kg. non impegnativi.
Schematic drawing - Dimensions in mm. and weights in kgs. not certified.

Per tutta la gamma dei serbatoi serie HSF e HSP sono possibili materiali ed esecuzioni speciali su richiesta. Per informazioni più dettagliate e per la serie 8 consultare il nostro Ufficio Commerciale.

For the whole range of tanks of the HSF and HSP series it is possible to use special materials and to accomplish special versions upon request. For more detailed information and for the series 8 pls contact our Sales Office.