

Engine output : 45.5 PS
Machine weight : 2700 kg

For Earth, For Life
Kubota

KC250HR-4

KUBOTA TRACKED DUMPER



COMPACT, POWERFUL AND DESIGNED FOR OPTIMUM COMFORT, THE NEW KUBOTA KC250HR-4 SAVES YOU TIME AND TROUBLE.

Unloading operation

Unloading operation is fast and easy. The profile of the skip has been designed to ensure a quick discharge of the material. With a dumping angle of 84°, all materials exit easily from the skip. In addition, the rotary function allows you to tip side ways (180°) when filling a trench for example.



Clean environmentally friendly engine

Tough and reliable, the water cooled KUBOTA diesel engine delivers high torque, enhanced power (45.5 PS at 2300 rpm) and optimum fuel efficiency to minimise operating costs. It also features cleaner emissions and quieter operation which means it has lower impact on the environment.



Hydraulic transmission (HST)

The KC250HR-4 crawler dumper features a variable-speed, 2-pump, 2-motor, clutchless Hydrostatic Transmission (HST) system. This advanced transmission offers smooth control - the operator can select the speed best suited for the terrain, and can easily shift from High speed (up to 11 km/hr) for flat surfaces, to Low speed (up to 6 km/hr) for rougher terrain. This HST helps make working and travelling more efficient and productive, and it offers a smoother ride therefore reducing operator fatigue.

Loading capacity

With a maximum loading capacity of 2500 kg and an heaped volume of 1,49 m³, the KC250HR-4 is a truly productive machine on any work site.



KUBOTA TRACKED DUMPER

KC250HR-4



Control panel

The control panel is conveniently located to the side of the operator. Whatever the driving direction, the operator always has good access to the control levers and good visibility of the dashboard indicators. The operator can therefore concentrate on the job with less fatigue.



Skip rotation

The skip rotation is powered by a hydraulic swivel motor mounted on a slew ring which insures smooth, precise and fast rotation of the skip through 180°.



Advanced track mechanism: Triple flange and short pitch

The KC250HR-4 track mechanism features triple flange rollers. Combined with "bogie" type technology, it ensures great stability on slopes and rough terrain. The short pitch track offers smooth drive for an optimal comfort at high speed.



Reversible seat

The Kubota KC250HR-4 crawler dumpers feature a deluxe, reversible seat that allows the operator to turn through 180° and face the opposite direction of travel. Since the control levers are attached to the seat, operation is seamless, even in reverse. This helps create a safer, more efficient work station.



Safety

For maximum safety of the operator, the KC250HR-4 features a ROPS / FOPS canopy and a seat belt for added safety.



Maintenance

A large hinged panel on top of the engine allows a good access for easy maintenance. The battery is located outside the engine compartment in order to keep it cool. A side panel gives a good access to the air filter.

Performance

With its fast travelling speed and a loading capacity of 2500 kg, the KC250HR-4 can easily transport a large amount of material in a short time frame. With its powerful tracked undercarriage, it can work in varying ground conditions. The KC250-4 can easily avoid obstacles with a rear angle of gradeability of 27° and a ground clearance of 334 mm.

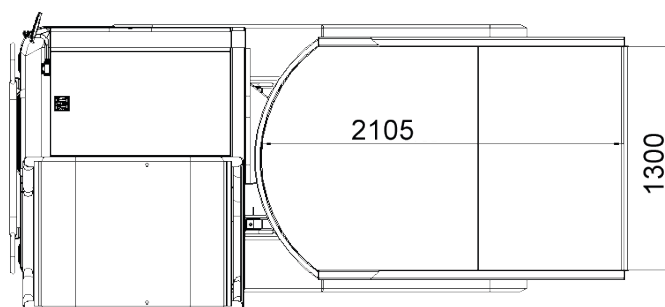
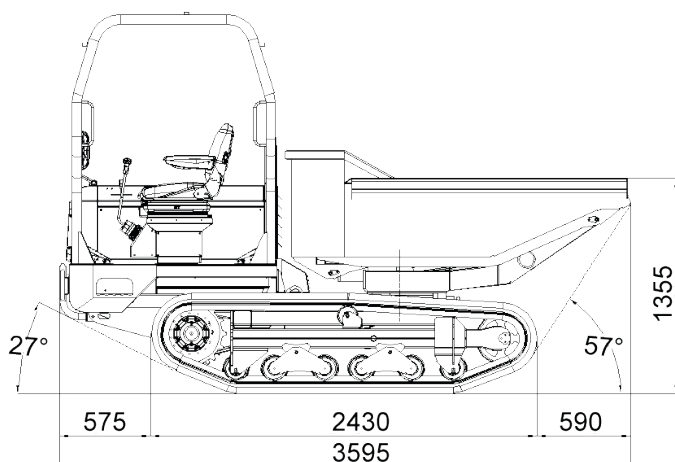
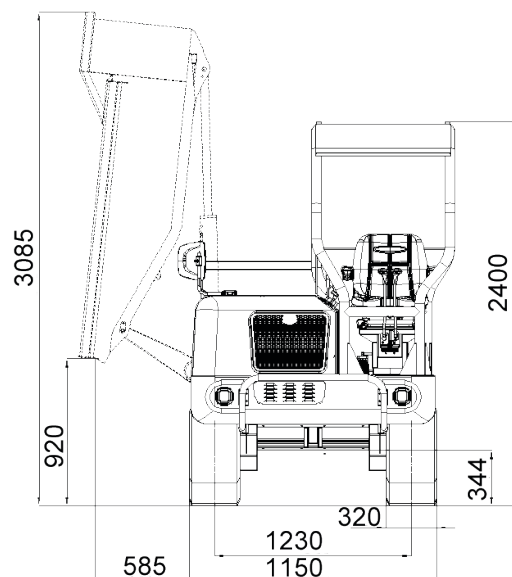


SPECIFICATIONS

Model	KC250HR-4	
Engine	Make	Kubota
	Model	V2203-M
	Output kW (PS) / rpm	33.4 (45.5) / 2300
	Displacement cc	2197
	Cooling system	Water cooled
Service weight	kg	2700
Max. loading capacity	kg	2500
Skip tipping system	Hydraulic	
Dumping direction	Rotary / 180°	
Dumping height	920	
Transmission	Type	Hydrostatic transmission HST
	Hydraulic pump	2 variable pumps
	Flow (for each pump) ℓ/min	2 x 54
	Hydraulic motors	Radial pistons motors
	Max. pressure bar	350
	Main valve	2
Dimensions	Overall length mm	3595
	Overall height mm	2400
	Overall width mm	1550
Internal skip dimensions	Length mm	2105
	Width mm	1300
	Height mm	494 / 670
	Dumping angle deg	84°
	Heaped volume m ³	1.49
Undercarriage	Level volume m ³	1.09
	Ground clearance mm	344
	Tumbler distance mm	1950
	Rubber shoe width mm	320
	Track roller	6
Travelling speed (Forward / Reverse)	1st speed km/h	0 ~ 6
	2nd speed km/h	0 ~ 11
	Max. gradeability	Front 20° / Side 25°
Fuel tank capacity	ℓ	40
Hydraulic oil tank capacity	ℓ	51
Ground pressure	(Unloaded) gr/cm ²	308
	(Loaded) gr/cm ²	593

*The data have been measured on the standard version. Specifications are subject to change without notice.

DIMENSIONS



★ All image's shown are for brochure purposes only.

When operating the tracked dumper always wear proper PPE clothing and equipment in accordance to local legal and safety regulations.

KUBOTA EUROPE S.A.S.

19 à 25, Rue Jules Verceyruisse
 Zone Industrielle - B.P. 50088
 95101 Argenteuil Cedex France
 Téléphone : (33) 01 34 26 34 34
 Télécopieur : (33) 01 34 26 34 99
<http://www.kubota-global.net>

W21PS02302