

# VIDANGEMIL'S static and mobile vacuum plants

- Static or mobile vacuum plants for lubricants extraction
- Maxi level obturator mounted on the receiver
- Protection drain trap with obturator
- Suction hose with quick coupling

## Characteristics

For more details on EVISA range, report to page 6. For PS pumps, reports page 34

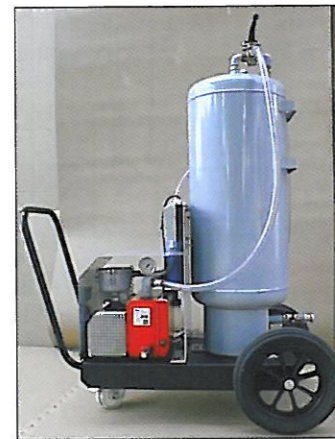
Static VIDANGEMIL'S	NOMINAL CAPACITY		POWER		RECEIVER CAPACITY	NOISE LEVEL	OIL FILLING
	m <sup>3</sup> .h <sup>-1</sup>		kW				
	50 Hz	60 Hz	50 Hz	60 Hz			
■ PS 12VH V07 pneumatic	7,4	8,9	0,36	0,43	70	57	-
■ E25 V50 manual	30	36	0,75	0,90	500	60	1,5
■ E25 V50 pneumatic	30	36	0,75	0,90	500	60	1,5
■ E25 V50 electric	30	36	0,75	0,90	500	60	1,5
■ E40 V50 pneumatic	47	56	1,10	1,30	500	62	1,5
■ E65 V50 pneumatic	65	78	1,50	1,80	500	65	4,0

Mobile VIDANGEMIL'S	NOMINAL CAPACITY		POWER		RECEIVER CAPACITY	NOISE LEVEL	OIL FILLING
	m <sup>3</sup> .h <sup>-1</sup>		kW				
	50 Hz	60 Hz	50 Hz	60 Hz			
■ PS 12VH V07	7,4	8,9	0,36	0,43	65	57	-
■ E25 V10	30	36	0,75	0,90	100	60	1,5

VIDANGEMIL'S E25 V50

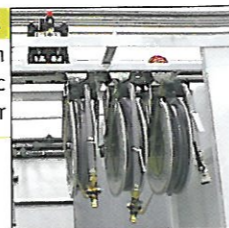


VIDANGEMIL'S E25 V10



1

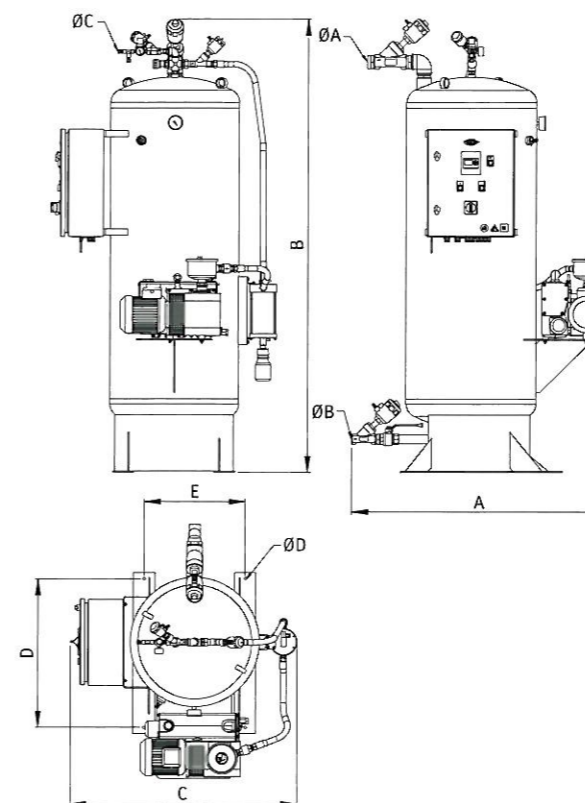
Working station with automatic winder



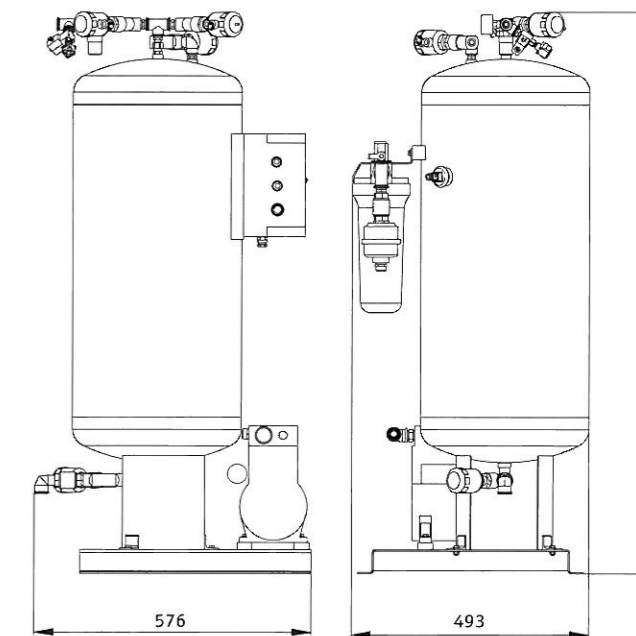
# Vacuum plants for lubricant extraction

## Dimensions

VIDANGEMIL'S EVISA V50



VIDANGEMIL'S PS12 V20



	A	B	C	D	E	ØA	ØB	ØC*	ØD
E25 V50	1180	2110	1050	690	470	M2"	F1"1/4	Ø10	Ø12
E40 V50	1180	2110	1050	690	470	M2"	F1"1/4	Ø10	Ø12
E65 V50	1274	2110	1200	740	470	M2"	F1"1/4	Ø10	Ø12

\* crimped connection

## Plant references

Static VIDANGEMIL'S	■ PS12 V20 pneumatic	■ E25 V50 manual	■ E25 V50 pneumatic	■ E25 V50 electric	■ E40 V50 pneumatic	■ E65 V50 pneumatic	
	1-ph 230V	919604			916938		
3-ph 400V+N+E		915491	913554	918648	918813	918577	
Mobile VIDANGEMIL'S						■ PS12 VH V07	■ E25 V10
						970654	970630

## Tool references

1 Articulated automatic winder with network connection Ø20, length 500 and wall fixation support	1 winder	2 winders	3 winders	4 winders	5 winders
	613447	613448	613449	613450	613451
Retention vat (on per winder)	360015				