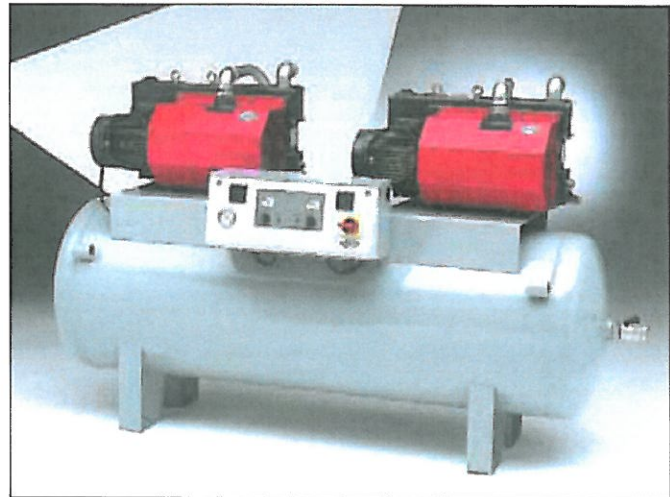


# INDUSVAC 2

## Ready for use and easy setting

- Compact and independent vacuum plant for centralized vacuum production
- Safety of use with 2 vacuum pumps EVISA MV or HV type
- Automatic permutation system
- Electronic control board (MILLENIUM PLC with transducer)
- Optional suction filter
- Optional FLEXO regulation system



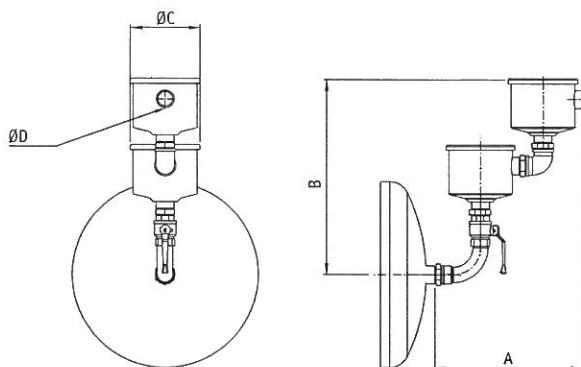
## Characteristics

	NORMAL CAPACITY m <sup>3</sup> .h <sup>-1</sup>		POWER kW		RECEIVER CAPACITY L	NOISE LEVEL dB (A)	OIL FILLING L	WEIGHT kg
	50 Hz	60 Hz	50 Hz	60 Hz				
■ INDUSVAC 2 E17 H5	2 x 17	2 x 20	2 x 0,55	2 x 0,66	500	62	2 x 1,5	160
■ INDUSVAC 2 E25 H5	2 x 30	2 x 36	2 x 0,75	2 x 0,90	500	63	2 x 1,5	160
■ INDUSVAC 2 E40 H5	2 x 47	2 x 56	2 x 1,10	2 x 1,30	500	65	2 x 1,5	200
■ INDUSVAC 2 E65 H5	2 x 65	2 x 78	2 x 1,50	2 x 1,80	500	68	2 x 4,0	280
■ INDUSVAC 2 E100 H5	2 x 96	2 x 115	2 x 2,20	2 x 2,64	500	70	2 x 4,0	300
■ INDUSVAC 2 E150 H8	2 x 150	2 x 180	2 x 3,00	2 x 3,60	800	73	2 x 7,0	385
■ INDUSVAC 2 E200 H8	2 x 190	2 x 228	2 x 4,00	2 x 4,80	800	74	2 x 7,0	425
■ INDUSVAC 2 E300 H8	2 x 288	2 x 345	2 x 5,50	2 x 6,60	800	76	2 x 7,0	620

Maxi vacuum in network : 5 mbar abs. (-995 mbar relative) with version without regulation

## Dimensions

### Double filtration

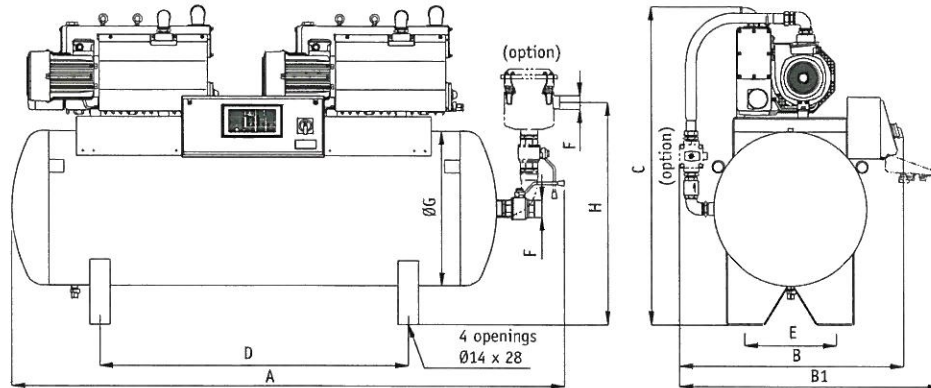


INDUSVAC - Vertical assembly exists in duplex and triplex version  
Consult us

Double filtration	A	B	ØC	ØD
126PO/126CH	400	530	187	Female 1"1/4
201PO/201CH	550	705	220	Female 2"
251PO/251CH	650	860	220	Female 2"1/2

# Automatic vacuum plants for industrial applications

## Dimensions (continued)



	E17 H5	E25 H5	E40 H5	E65 H5	E100 H5	E150 H8	E200 H8	E300 H8
A	2120	2120	2120	2120	2150	2605	2605	2660
B	845	845	865	875	875	995	995	995
B1	990	990	1010	1020	1020	1140	1140	1140
C	1140	1140	1130	1235	1235	1400	1400	1460
D	1200	1200	1200	1200	1200	1500	1500	1500
E	360	360	360	360	360	400	400	400
F	1"1/4	1"1/4	1"1/4	1"1/4	2"	2"1/2	2"1/2	2"1/2
ØG	600	600	600	600	600	700	700	700
H	800	800	800	800	860	1005	1005	1005

Dimensions expressed in mm

## Plant references

	E17 H5	E25 H5	E40 H5	E65 H5	E100 H5	E150 H8	E200 H8	E300 H8
INDUSVAC 2 MILLENIUM - MV 3-ph 400V+N+E	916734	916735	916736	916737	916738	916739	916740	916741
INDUSVAC 2 MILLENIUM - HV 3-ph 400V+N+E	921269	921270	921271	921272	921273	921274	921275	921276

## Accessory and option references

	E17 H5	E25 H5	E40 H5	E65 H5	E100 H5	E150 H8	E200 H8	E300 H8
FLEXO regulation system	613002	615432	613003	613004			613005	
M/F suction hoses								
Network connection		Ø30x1200		Ø45x1500		Ø60x1500		
		712927		712929		770300		
Suction filter mounted before receiver inlet								
Paper		126PA		201PA		251PA		
		712977		709513		770623		
Polyester		126PO		201PO		251PO		
		712978		709514		770624		
Carbon		126CH		201CH		251CH		
		712979		712980		770625		
Simple bacterial filtration without by-pass	FD30S 812060	FD65S 812061	FD130S 812062			FD320S 812063		Contact us
Double filtration		126PO/126CH 719834		201PO/201CH 719835		251PO/251CH 719836		

Specifications are subject to be changed without notice