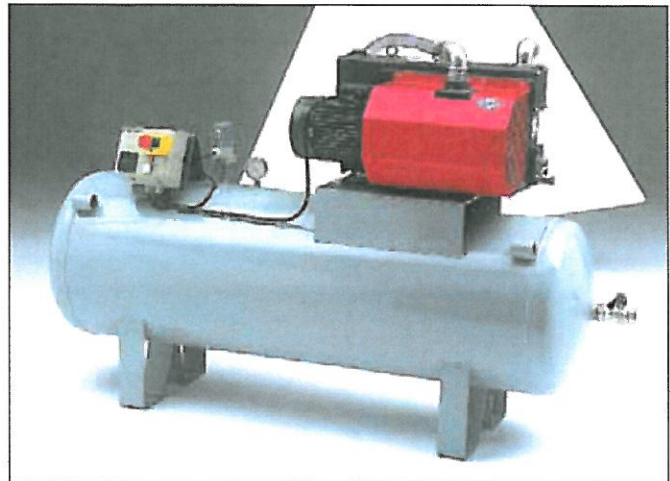


# INDUSVAC 1

## Ready for use and easy setting

- Compact and independent vacuum plant for centralized vacuum production
- Lubricated rotary vane vacuum pump EVISA MV or HV type
- Electromechanical control board (mechanical 2 thresholds vacuum switch) electronic control board (MILLENIUM PLC with transducer)
- Optional suction filter
- Optional FLEXO regulation system



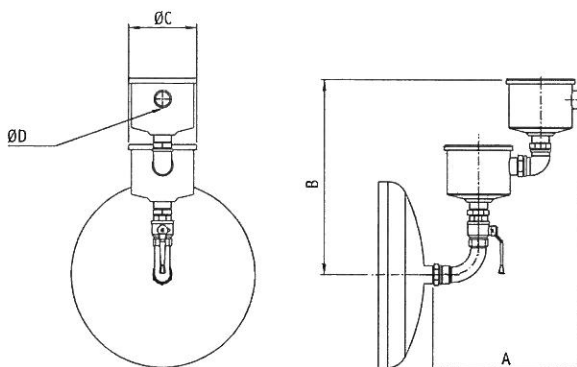
## Characteristics

	NORMAL CAPACITY m <sup>3</sup> .h <sup>-1</sup>		POWER kW		RECEIVER CAPACITY L	NOISE LEVEL dB (A)	OIL FILLING L	WEIGHT kg
	50 Hz	60 Hz	50 Hz	60 Hz				
■ INDUSVAC 1 E17 H3	17	20	0,55	0,66	300	59	1,5	85
■ INDUSVAC 1 E25 H3	30	36	0,75	0,90	300	60	1,5	85
■ INDUSVAC 1 E40 H3	47	56	1,10	1,30	300	62	1,5	110
■ INDUSVAC 1 E65 H3	65	78	1,50	1,80	300	65	4,0	145
■ INDUSVAC 1 E100 H3	96	115	2,20	2,64	300	67	4,0	210
■ INDUSVAC 1 E150 H5	150	180	3,00	3,60	500	70	7,0	260
■ INDUSVAC 1 E200 H5	190	228	4,00	4,80	500	71	7,0	280
■ INDUSVAC 1 E300 H5	288	345	5,50	6,60	500	73	7,0	380

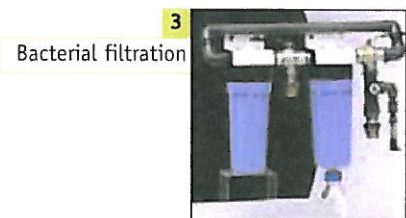
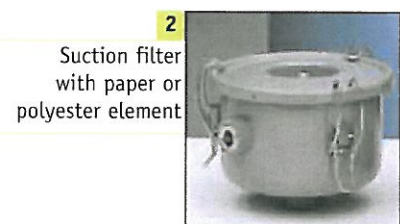
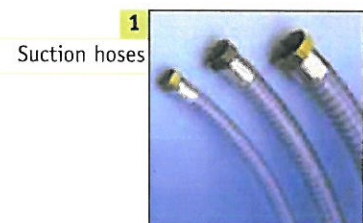
Maxi vacuum in network : 5 mbar abs. (-995 mbar relative) with version without regulation

## Dimensions

### Double filtration

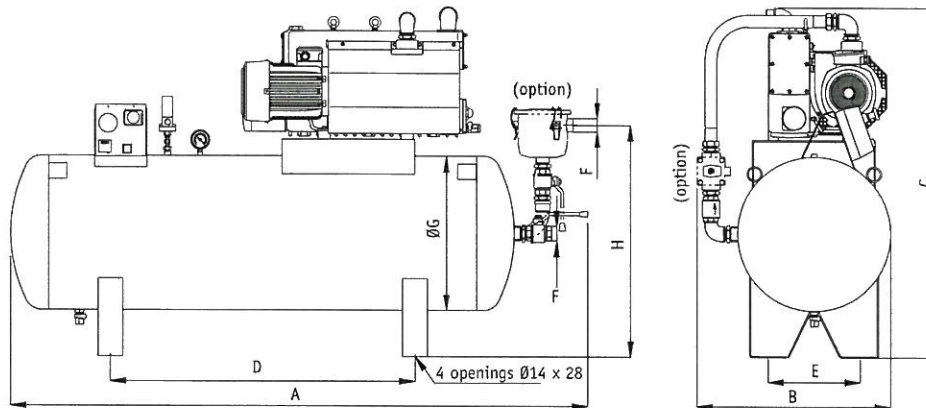


Double filtration	A	B	ØC	ØD
76PO/76CH	290	335	147	Female 3/4"
100PO/100CH	320	380	147	Female 1"
126PO/126CH	400	530	187	Female 1 1/4"
201PO/201CH	550	705	220	Female 2"



# Automatic vacuum plants for industrial applications

## Dimensions (continued)



### INDUSVAC 1 with vacuum switch

	E17 H3	E25 H3	E40 H3	E65 H3	E100 H3	E150 H5	E200 H5	E300 H5
A	1830	1830	1830	1880	1880	2150	2150	2150
B	600	600	620	630	630	770	770	755
C	1030	1030	1030	1135	1135	1290	1300	1360
D	995	995	995	995	995	1200	1200	1200
E	300	300	300	300	300	360	360	360
F	3/4"	3/4"	1"	1 1/4"	1 1/4"	2"	2"	2"
ØG	500	500	500	500	500	600	600	600
H	660	660	675	750	750	860	860	860

Dimensions expressed in mm

## Plant references

INDUSVAC 1 MV		E17 H3	E25 H3	E40 H3	E65 H3	E100 H3	E150 H5	E200 H5	E300 H5
with vacuum switch	3-ph 400V+N	916732	970421	970422	970423	970424	970425	970431	970432
	1-ph		915580	916055					
with MILLENIUM	3-ph 400V+N	918959	918960	918961	918962	918963	918964	918965	918966
	1-ph		918967	918968					
INDUSVAC 1 HV		E17 H3	E25 H3	E40 H3	E65 H3	E100 H3	E150 H5	E200 H5	E300 H5
with vacuum switch	3-ph 400V+N	921249	921250	921251	921252	921253	921254	921255	921256
	1-ph		921257	921258					
with MILLENIUM	3-ph 400V+N	921259	921260	921261	921262	921263	921264	921265	921266
	1-ph		921267	921268					

## Accessory and option references

		E17 H3	E25 H3	E40 H3	E65 H3	E100 H3	E150 H5	E200 H5	E300 H5
FLEXO regulation system		670644	615415	670645				670646	
1 M/F suction hoses	Network connection	Ø20x1000	Ø25x1200	Ø30x1200	Ø35x1200			Ø45x1500	
		712926	715394	712927	712928			712929	
2 Suction filter mounted before receiver inlet	Paper	76PA	100PA	126PA				201PA	
		709505	715412	709507				709513	
	Polyester	76PO	100PO	126PO				201PO	
		709506	715413	709508				709514	
	Carbon	76CH	100CH	126CH				201CH	
		710520	715414	710521				710522	
3 Simple bacterial filtration without by-pass	FD30S		FD65S	FD130S			FD320S		
	812060		812061	812062			812063		
Double filtration	76PO/76CH		100PO/100CH	126PO/126CH			201PO/201CH		
	719832		719833	719834			719835		

Specifications are subject to be changed without notice