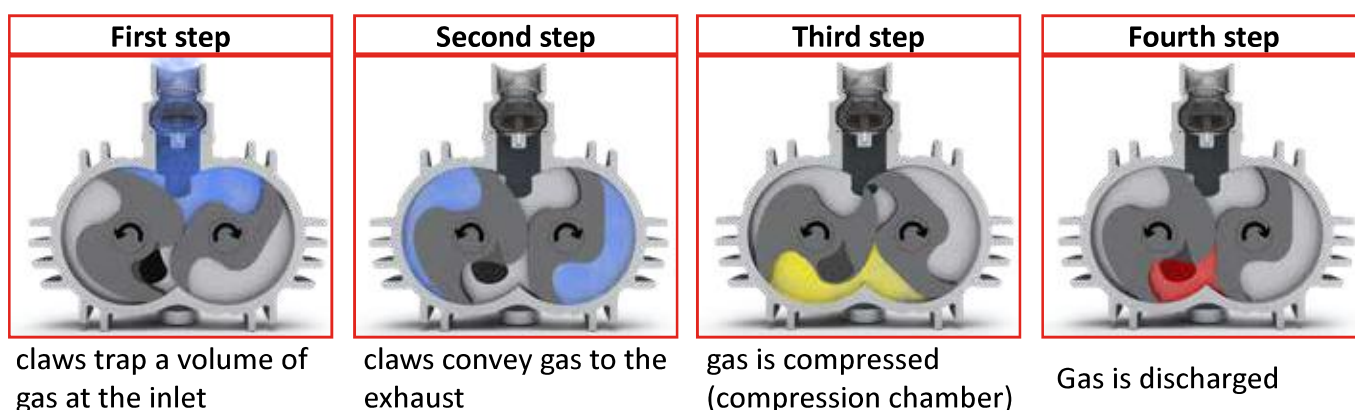


SIRELLA SL150.R



- Contactless technology
- Low noise level
- High efficiency
- Low exhaust temperature
- Easy access and low maintenance
- Compact size
- PT100 temperature sensor included

Working principle



Technical characteristics

Sirella SL150.R	50 Hz	60 Hz
Pneurop pumping speed ⁽¹⁾ m ³ .h ⁻¹ - cfm	140 - 82.4	164 - 96.5
End vacuum mbar - torr	50 - 37.5	50 - 37.5
Continuous end vacuum mbar - torr	150 - 112.5	150 - 112.5
Gear box oil capacity MB150S 100 % synthetic l - qt	0.7 - 0.74	0.7 - 0.74
Noise level dB(A)	69	71

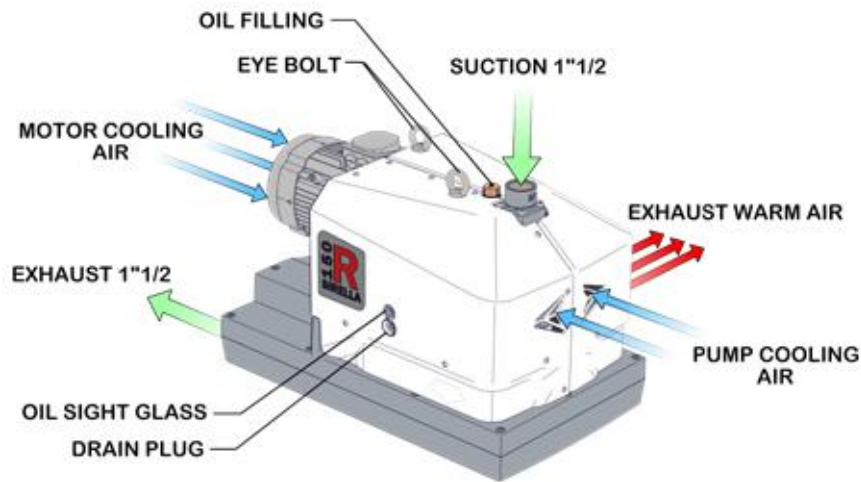
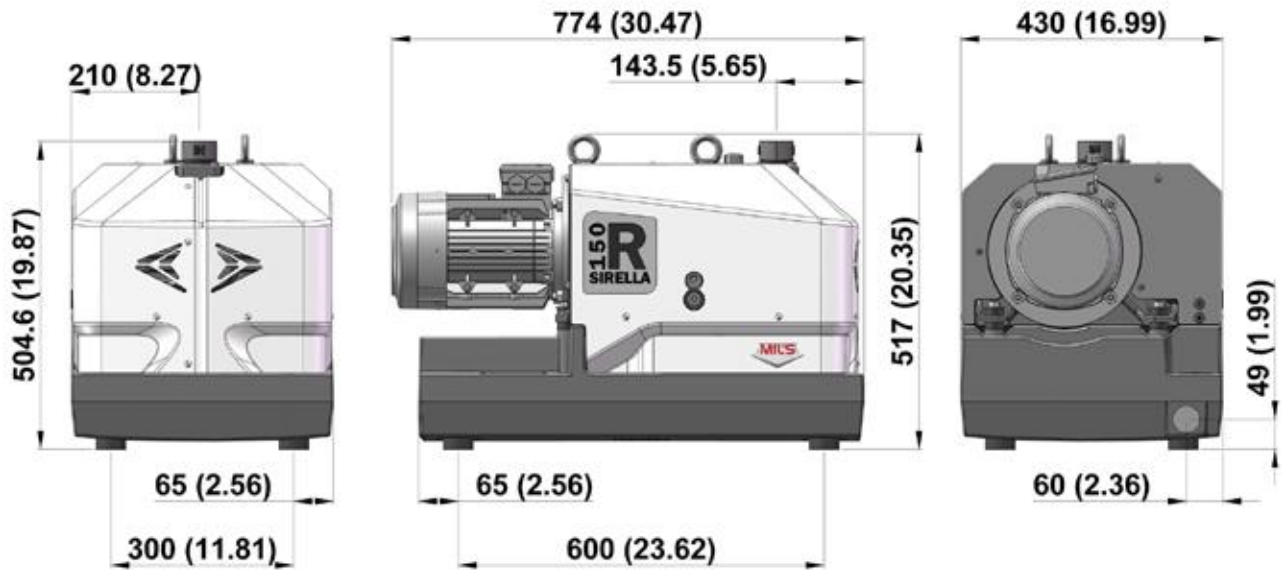
⁽¹⁾ Measurements according to PNEUROP 6602 specifications - 20°C

Versions

GEOGRAPHIC ZONE	EUROPE	ASIA MIDDLE-EAST	SOUTH AMERICA	USA	JAPAN
Number of phases	3	3	3	3	3
Voltage V	230 / 400	220 / 380	190 / 380	208-230 / 460	200 / 380
Electrical motor					
Period Hz	50	60	50	60	50 / 60
Motor power	3 kW	3.60 kW	3 kW	5 HP	3 / 3.60 kW
Rotation speed min⁻¹	3000	3600	3000	3600	3000/3600
Inlet connection	1"1/2 BSP	1"1/2 BSP	1"1/2 NPT	1"1/2 NPT	1"1/2 BSP
Outlet connection	1" 1/2 BSP	1"1/2 BSP	1"1/2 NPT	1"1/2 NPT	1"1/2 BSP
Weight with oil kg - lb	180 - 397	190 - 419	190 - 419	190 - 419	190 - 419

Oil-less claw vacuum pumps

Dimensions mm (inch)



References

	Sirella SL150.R
EUROPE 3ph, 230/400V-50Hz	824411
ASIA / MIDDLE EAST 3ph, 220/380V-60Hz	824419
SOUTH AMERICA / USA 3ph, 208-230/460V-60Hz	824428



Maintenance kits

Gear box oil MB150S

1 liter can
619626

Accessories and Options

		SL150.R
Constant vacuum solenoid valve - electronic control of the end vacuum		625547
1	Adjusting valve fitted on T-square (without filter)	723341
2	Fitted suction filter type 201	
	Paper cartridge	619891
	Polyester cartridge	619892
	Carbon cartridge	619893
Vacuum gauge fitted on filter		617536
Suction hose (l : 1500 mm)		625574
Direct starter (wall mounting)	Without regulation contact	
	3ph, 400V- 50HZ	770498
	3ph, 230V- 50HZ	770499
	With regulation contact LG7	
	3ph, 400V- 50HZ	710425
	3ph, 230V- 50HZ	710433

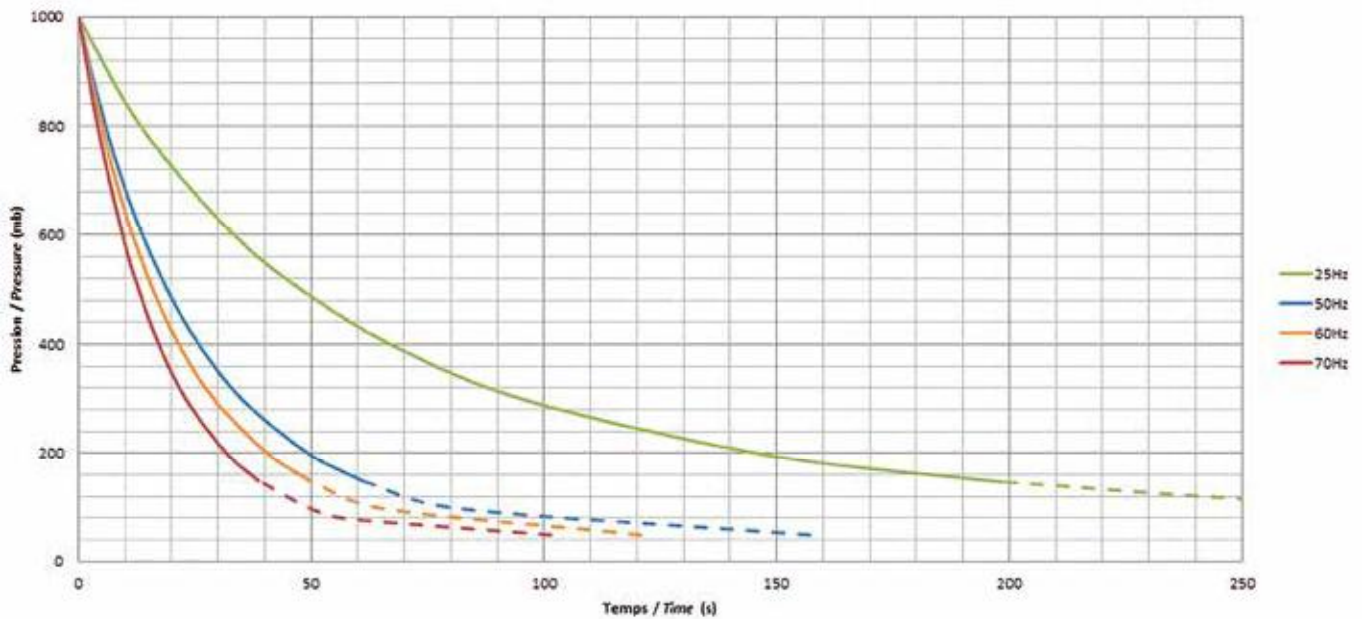


1 Adjusting valve fitted on T-square



2 suction filter type 201

Pumping speed on 1000 l vessel



Performance curves

