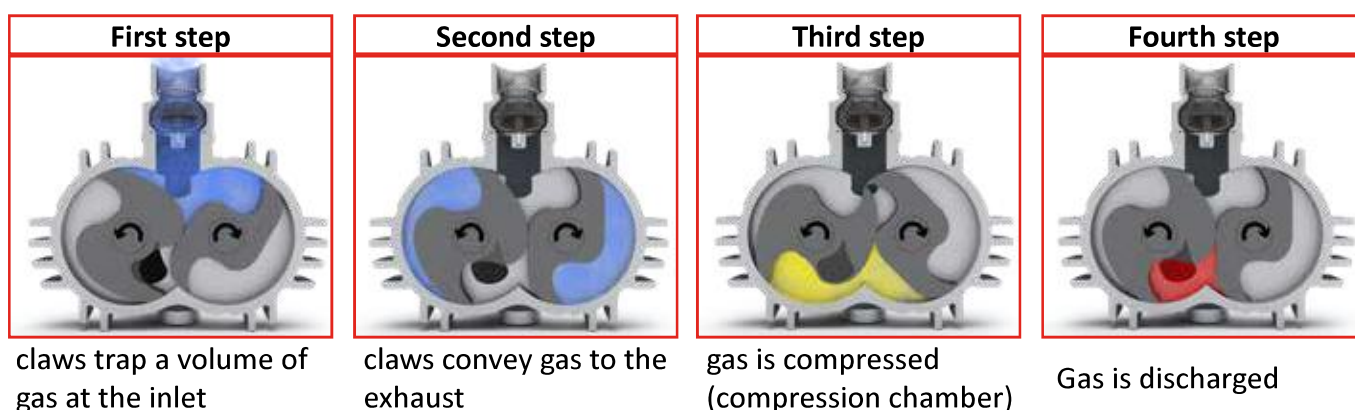


# SIRELLA SL100.R



- Contactless technology
- Low noise level
- High efficiency
- Low exhaust temperature
- Easy access and low maintenance
- Compact size
- PT100 temperature sensor included

## Working principle



## Technical characteristics

Sirella SL100.R	50 Hz	60 Hz
Pneurop pumping speed <sup>(1)</sup> m <sup>3</sup> .h <sup>-1</sup> - cfm	90 - 53	108 - 63.6
End vacuum mbar - torr	60 - 45	60 - 45
Continuous end vacuum mbar - torr	60 - 45	60 - 45
Gear box oil capacity MB150S 100 % synthetic l - qt	0.7 - 0.74	0.7 - 0.74
Noise level dB(A)	69	71

<sup>(1)</sup> Measurements according to PNEUROP 6602 specifications - 20°C

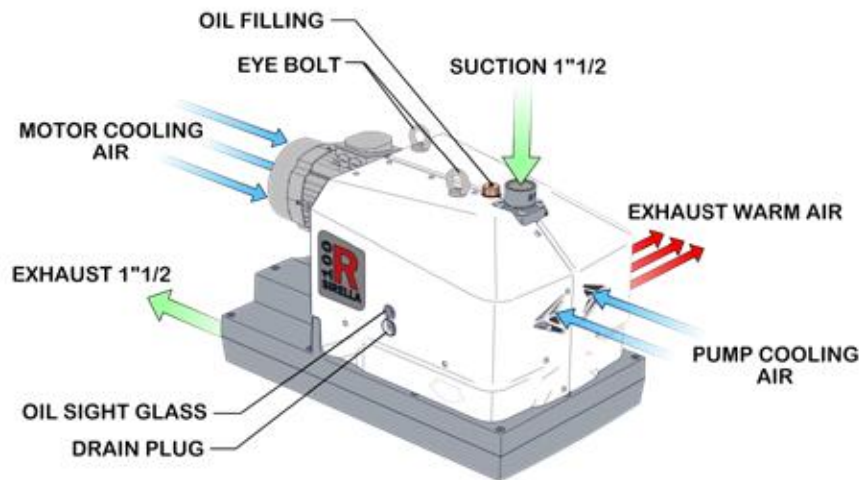
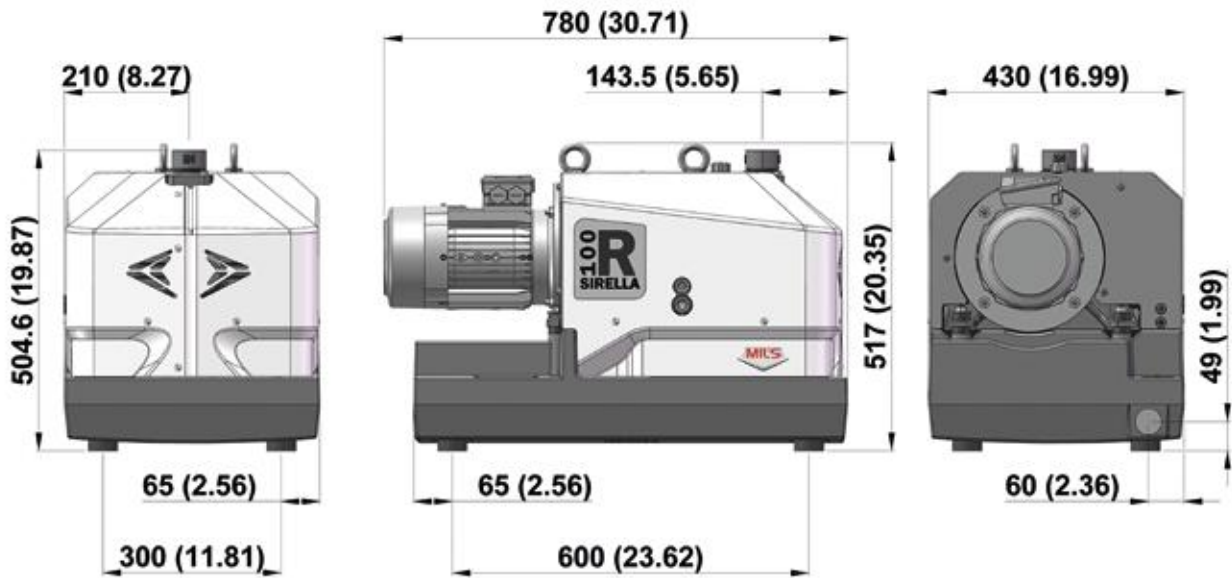
## Versions

GEOGRAPHIC ZONE	EUROPE	ASIA MIDDLE-EAST	SOUTH AMERICA	USA	JAPAN	
Number of phases	3	3	3	3	3	
Voltage V	230 / 400	220 / 380	190 / 380	208-230 / 460	200 / 380	
Electrical motor	Period Hz	50	60	50	50 / 60	
	Motor power	2.20 kW	2.64 kW	2.20 kW	3.5 HP	2.20 / 2.64 kW
	Rotation speed min <sup>-1</sup>	3000	3600	3000	3600	3000/3600
	Inlet connection <sup>(2)</sup>	1"1/2 BSP	1"1/2 BSP	1"1/2 NPT	1"1/2 NPT	1"1/2 BSP
Outlet connection <sup>(2)</sup>	1" 1/2 BSP	1"1/2 BSP	1"1/2 NPT	1"1/2 NPT	1"1/2 BSP	
Weight with oil kg - lb	170 - 375	174 - 384	174 - 384	174 - 384	174 - 384	

Specifications are subject to be changed without notice.

# Oil-less claw vacuum pumps

## Dimensions mm (inch)



## References

	Sirella SL100.R
<b>EUROPE</b> 3ph, 230/400V-50Hz	824410
<b>ASIA / MIDDLE EAST</b> 3ph, 220/380V-60Hz	824418
<b>SOUTH AMERICA / USA</b> 3ph, 208-230/460V-60Hz	824427



## Maintenance kits

Gear box oil MB150S

1 liter can  
619626

## Accessories and Options

		SL100.R
Constant vacuum solenoid valve - electronic control of the end vacuum		625547
<b>1</b>	Adjusting valve fitted on T-square (without filter)	723341
	Paper cartridge	625570
<b>2</b>	Fitted suction filter type 126	625571
	Polyester cartridge	625571
	Carbon cartridge	625572
Vacuum gauge fitted on filter		617536
Suction hose (l : 1500 mm)		625573
Direct starter (wall mounting)	Without regulation contact	3ph, 400V- 50HZ 770497
		3ph, 230V- 50HZ 770498
	With regulation contact LG7	3ph, 400V- 50HZ 710424
		3ph, 230V- 50HZ 710432

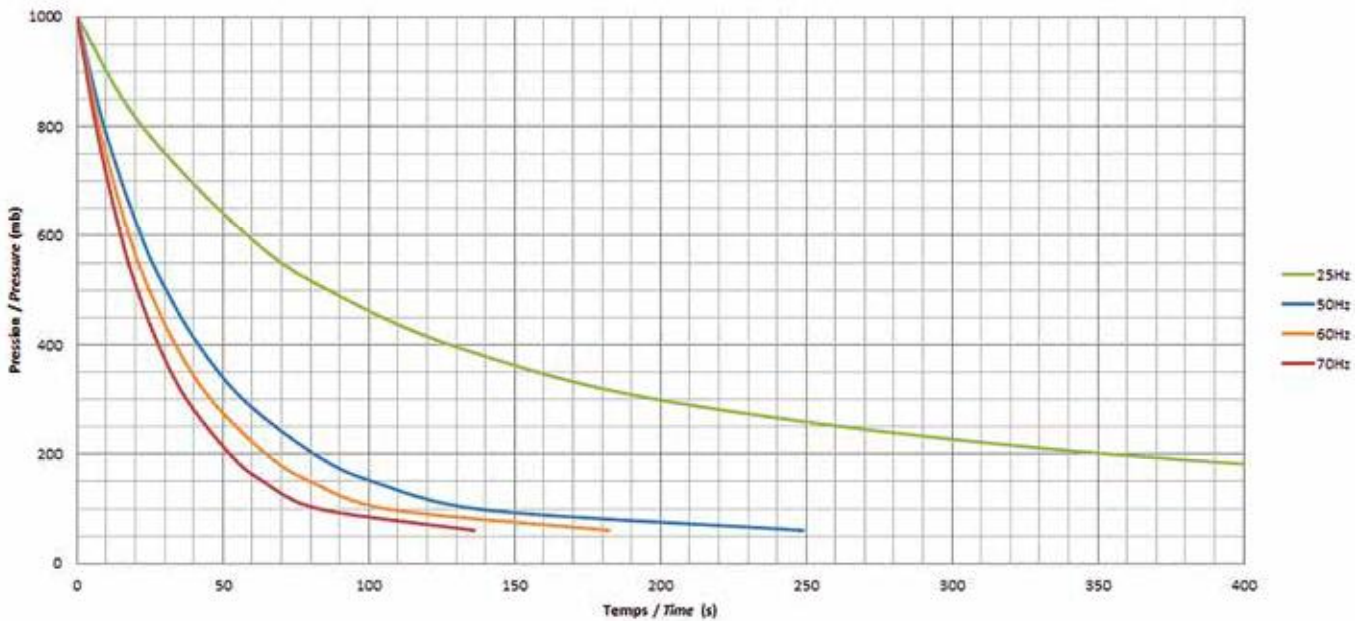


**1** Adjusting valve fitted on T-square



**2** suction filter type 126

## Pumping speed on 1000 l vessel



## Performance curves

