



Compatible with VFC variable frequency converter for electricity cost saving  
 Operation from 25 Hz to 70 Hz  
 Built-in or separate VFC into electrical board for central vacuum systems

- Contactless technology
- Low noise level, compact size and high efficiency
- Low exhaust temperature
- Easy access and low maintenance
- PT100 temperature sensor



## Technical characteristics

Sirella RS	SL100.RS	SL150.RS	SL300.RS
<b>Pneurop pumping speed</b> <sup>(1)</sup> m <sup>3</sup> .h <sup>-1</sup> - cfm	40 to 126 - 23 to 74	64 to 195 - 37 to 115	129 to 312 - 76 to 184
<b>End vacuum</b> mbar - torr	60 - 45	50 - 37.5	50 - 37.5
<b>Continuous end vacuum</b> mbar - torr	150 - 112.5	150 - 112.5	150 - 112.5
<b>Gear oil capacity MB150S 100 % synthetic</b> l - qt	0.7 - 0.74	0.7 - 0.74	0.7 - 0.74
<b>Noise level</b> dB(A)	72	72	72

<sup>(1)</sup> Measurements according to PNEUROP 6602 specifications - 20°C

## Versions

SIRELLA	SL100.RS	SL150.RS	SL300.RS
<b>Number of phases</b>	3	3	3
<b>Voltage</b> V	380 to 480	380 to 480	380 to 480
<b>Period</b> Hz (*)	45 to 66	45 to 66	45 to 66
<b>Max motor power</b>	3.5 kW	4.5 kW	6.6 kW
<b>Rotation speed</b> min <sup>-1</sup>	1500 to 4200	1500 to 4200	1500 to 3600
<b>Inlet connection</b>	1"1/2 BSP or NPT	1"1/2 BSP or NPT	2" BSP or NPT
<b>Outlet connection</b>	1"1/2 BSP or NPT	1"1/2 BSP or NPT	2" BSP or NPT
<b>Weight with oil</b> kg - lb	177 - 390	200 - 441	316 - 697

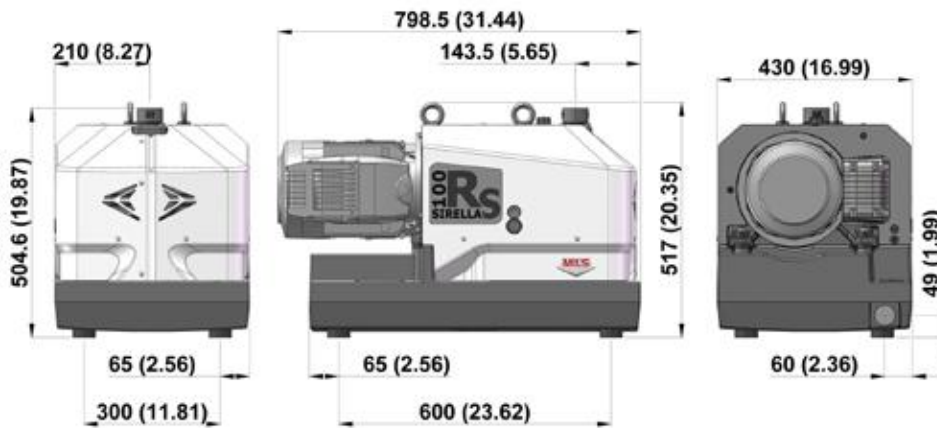
(\*) Admissible frequency for power supply of the VFC

Specifications are subject to be changed without notice.

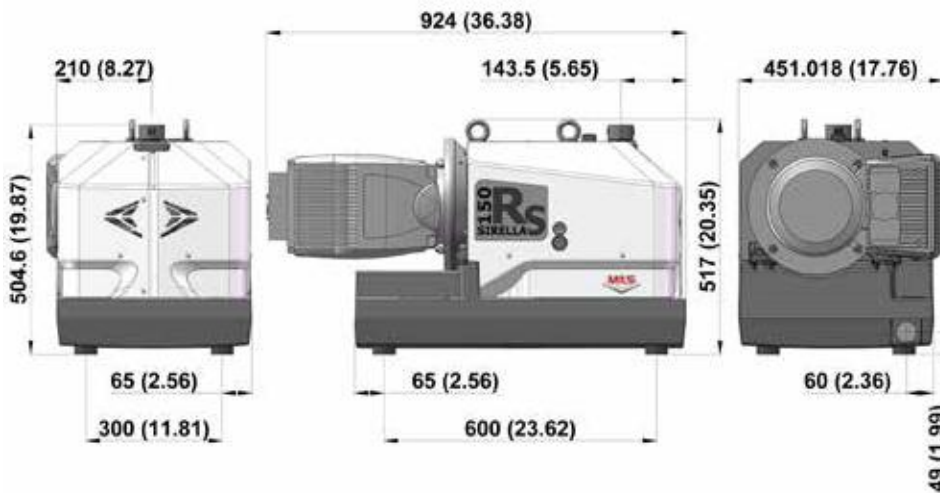
# Oil-less claw vacuum pumps

## Dimensions mm (inch)

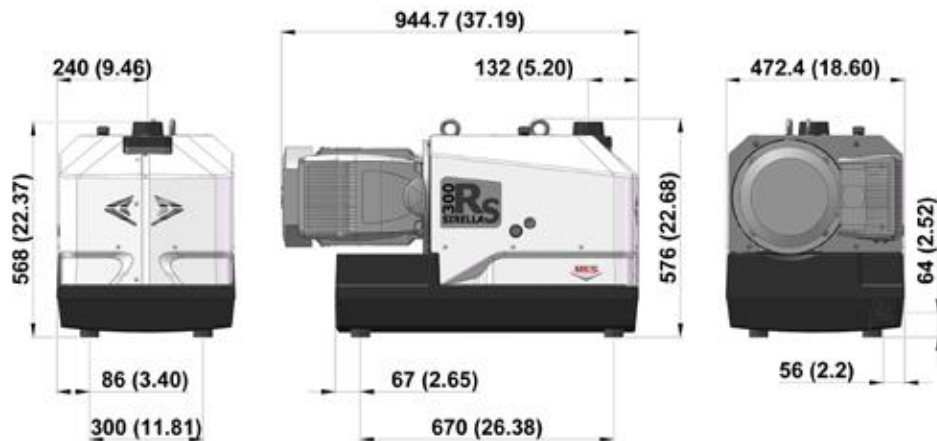
### SL100.RS



### SL150.RS



### SL300.RS



## References

	SL100.RS	SL150.RS	SL300.RS
BSP CONNECTIONS	824413	824414	824415
NPT CONNECTIONS	824430	824431	824432

Specifications are subject to be changed without notice.