



FINISHER
BF 300 C, S340 E-TV
S340 E-V

PERFORMANCE DATA

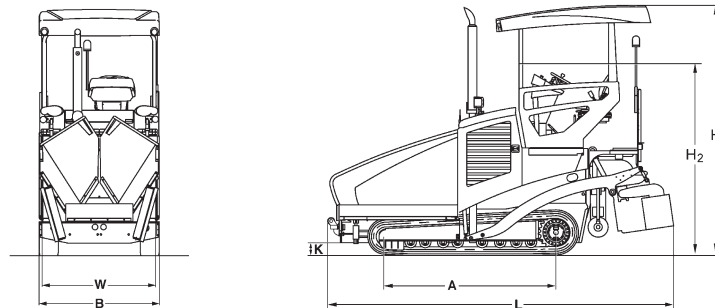


Technical Data

Shipping dimensions in m³

BF 300 C, S340-E

22,394



Dimensions in mm

	A	B	H	H ₂	K	L	W
BF 300 C	2200	1740	3350	2600	170	4950	1700

Standard equipment

- ECOMODE
- Lateral seat and platform adjustment, Side View System (pat.)
- GRP-roof, hydr. tiltable, 4-fold roof lighting
- L.C.S. Screed relief system
- Individually controlled hopper wings
- Reversible and individually controlled scraper belts
- Reversible and individually controlled augers
- Continuous tamper and vibration adjustment
- Fully automatic screed heating
- Cast heating elements
- BOMAG central electrics, service and fault code display
- Hydraulic pre-tensioning of crawler tracks with overload protection
- Remote control of material flow sensors from the lateral screed control panels
- Mechanical crown adjustment
- Electro-mechanical sensors for scraper belts
- Ultrasound sensors for augers
- Central lubrication for screed and auger

Optional equipment

- Screed with tamper and vibration
- Screed with vibration only
- Screed extension 30 cm (3.4 m to 4.0 m)
- Cleaning kit
- Hydraulic auger lift
- Ultrasound sensors for scraper belts
- Hydraulic crown adjustment
- Optional generator 230 V, 50 Hz, frequency stabilized
- Optional paint finish
- Ultrasound or electro-mechanical levelling systems
- Cross-slope levelling system
- Electric side plate heating for screed S340E
- Automatic central lubrication system for screed and auger

Technical Data

Weights

Operating weight CECE kg 8000

Dimensions

Transport length mm 4950
 Transport width mm 1740
 Transport height mm 2600

Travel characteristics

Travel speed (1) km/h 0-4.9
 Working speed (1) m/min 0-26

Drive

Engine manufacturer Kubota
 Type V3307 T
 Cooling Water
 Number of cylinders 4
 Rated power ISO 3046 kW 55.4
 Speed min-1 2200

Crawler assembly

Crawler track
 -Axle base mm 2200
 -Width mm 260

Hopper

Capacity m³ 4.8
 Width (wings open) mm 3075
 Width (wings closed) mm 1740
 Length mm 1660
 Filling height (middle) mm 540

Scraper belt / auger

Number 2
 Width mm 220
 Speed m/min 30
 Individual control Standard
 Reversing operation Standard

Conveyor auger

->Number 2
 ->Auger diameter mm 280
 ->Rotary speed 1/min 100
 ->Reversing operation Standard

Screed

Screed type S340-E
 Basic width retracted mm 1700
 Basic width extended mm 3400
 Max. working width mm 4000
 min. width with reduction skids mm 750
 Mat thickness mm 250
 Smoothing plate depth mm 305
 Smoothing plate thickness mm 12
 Heating Electric
 Crown % -3 ... +4,5
 Tamper frequency Hz 0-30
 Vibration frequency Hz 20-50
 Basic weight kg 1000
 Max. weight kg 1200

Filling capacities

Fuel l 100
 Hydraulic oil l 80

Operating/control elements

Number of driver's seats 1
 Side View Standard
 LCS System Standard

Technical modifications reserved. Machines may be shown with options.



BOMAG
 Hellerwald
 D-56154 Boppard
 Postfach 5162
 D-56149 Boppard
 Tel. (0)6742 - 1000
 Fax (0)6742 - 3090

